

Inhoudsopgave

Achteras	17
Blower & Aandrijving	37
Elektrische Delen PG-SR	124
Filter & Tank	60
Frame & Kappen	11
Gewichten	84
Grasvang Bak	66
Haakse Kast	41
Hoogkiep	23
Hydrauliek Hef	88
Hydrauliek Kiepen Grasvanger	90
Hydrauliek Stuur	86
Kappen & Stuur en Zitting	3
Kiep Frame Grasvangbak	72
Motor B&S & V-Snaren	102
Motor Lombardini & V-Snaren	43
Motor Kubota & V-Snaren	52
Pedalen & Handels PG-SR	31
Rem & Koeler Hydrauliek	33
Spanner	27
Stickers	128
Tandwielen & Wielassen PG-SR	35
Transport Bakje	78
V-Snaren & Pulley's	39
Wielen	94



Gianni Ferrari

PG-SR 2003



CATALOGO PARTI DI RICAMBIO

CATALOGUE PIECES DETACHEES

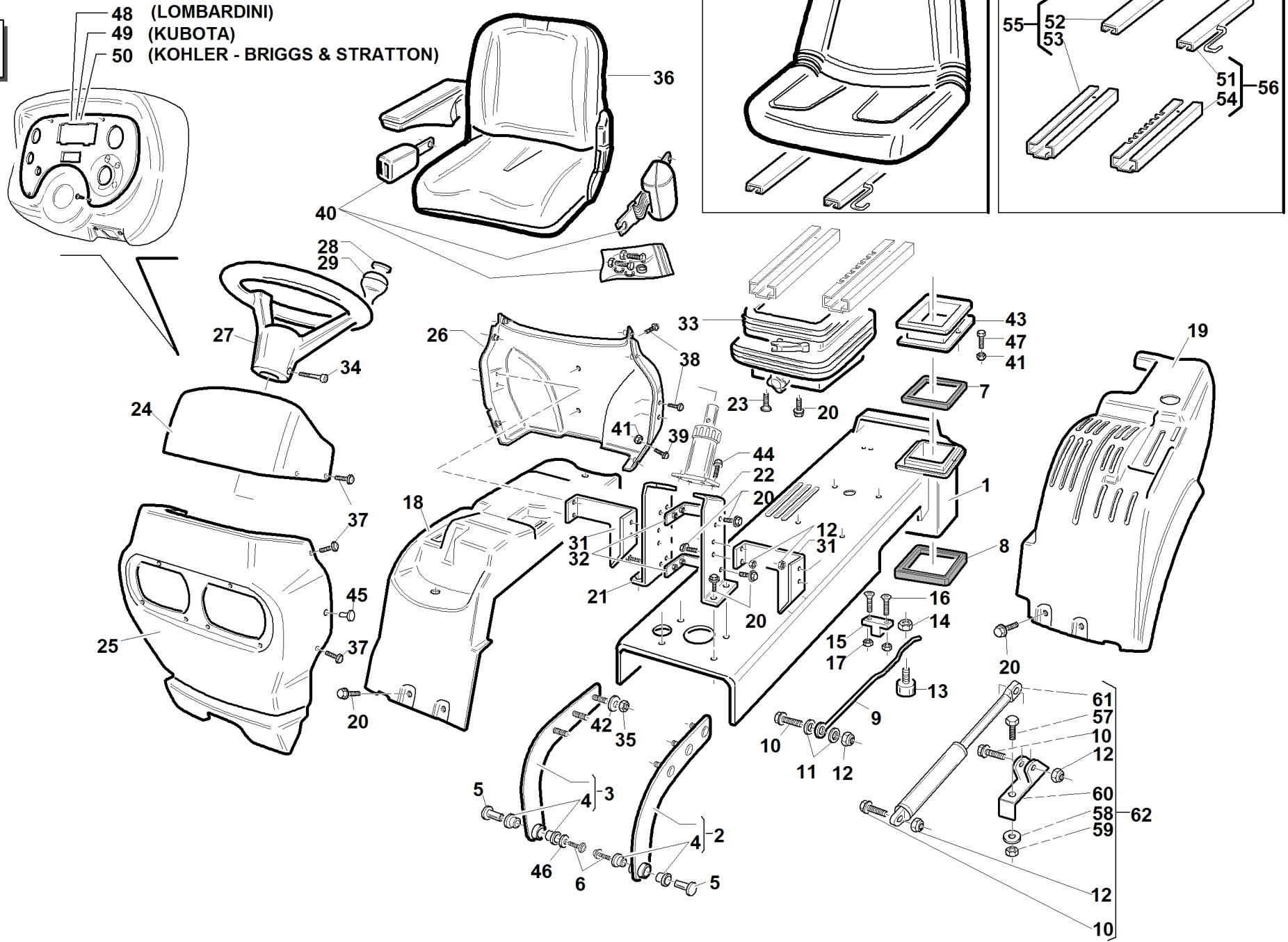
SPARE PARTS CATALOGUE

TERSATZTEILKATALOG



CE

[Empty box]



#

P/N

DESCRIPTION

REF. 01

COMPOSIZIONE CODICE D'ORDINE

NUMERO DI MATRICOLA ALFANUMERICO DEL TELAIO + CODICE PARTICOLARE DI RICAMBIO

COMPOSITION OF THE ORDER CODE

ALPHANUMERICAL SERIAL NUMBER OF THE FRAME + CODE NUMBER OF THE SPARE PART

COMPOSITION DU CODE DE L'ORDRE

NUMÉRO DE SÉRIE ALPHANUMÉRIQUE DU CHÂSSIS + CODE AU PIÉCE DE RECHANGE

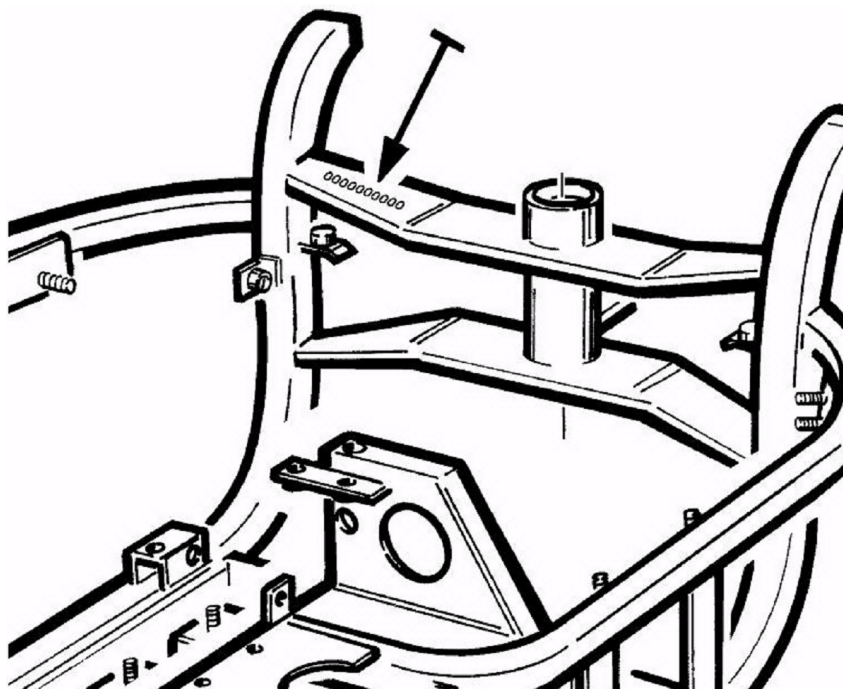
AUFBAU DES BESTELLKODS

ALPHANUMERISCHE SERIENNUMMER DES GERÜSTES + HINWEIS AUF DAS C

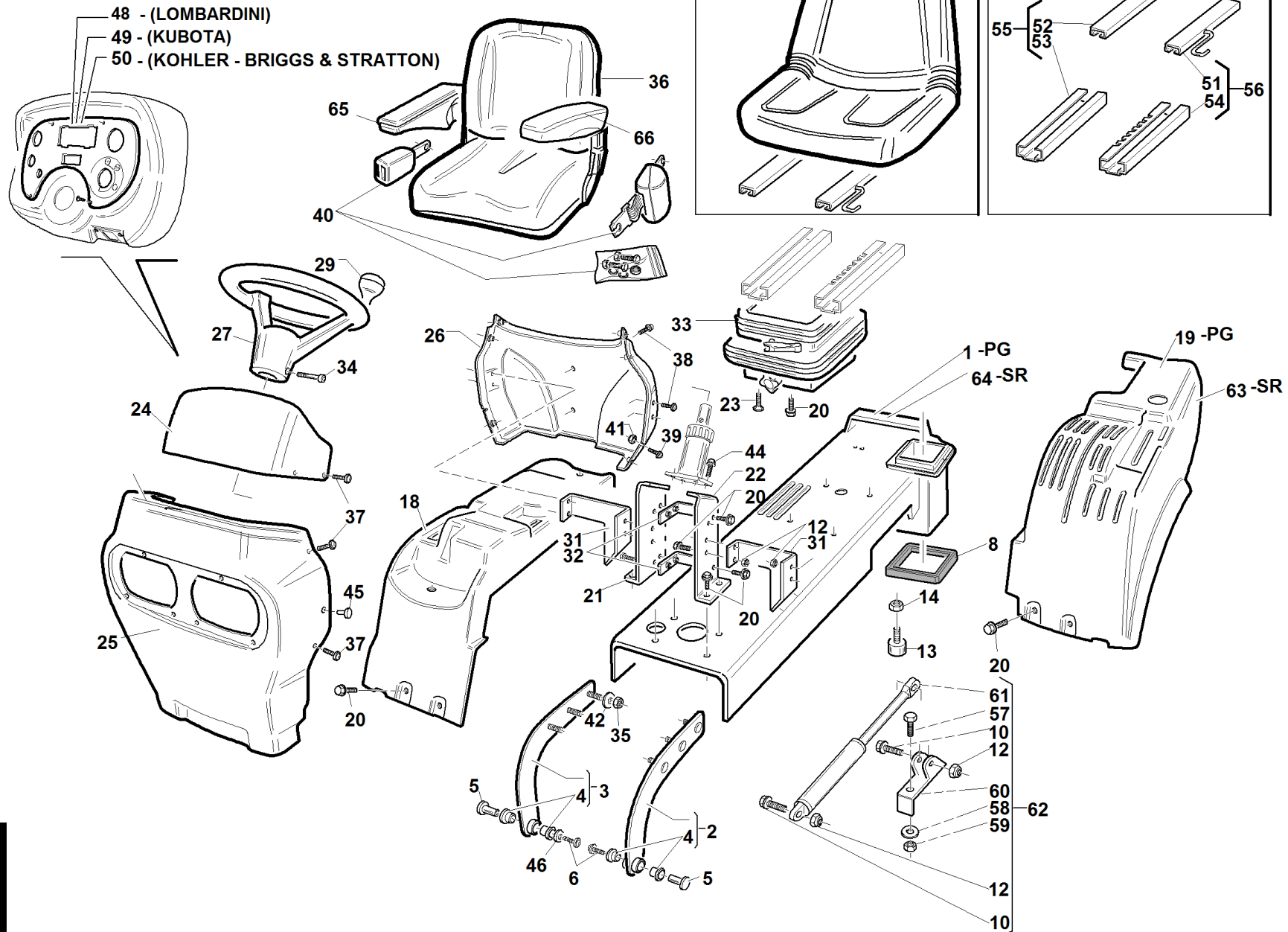
NUMERO DI MATRICOLA CATALOGO

NUMERO DI MATRICOLA ALFANUMERICO DEL TELAIO
ALPHANUMERICAL SERIAL NUMBER OF THE FRAME
NUMÉRO DE SÉRIE ALPHANUMÉRIQUE DU CHÂSSIS
ALPHANUMERISCHE SERIENNUMMER DES GERÜSTES

999999XXXX
XX99999999XXXX



PG/SR



S/N

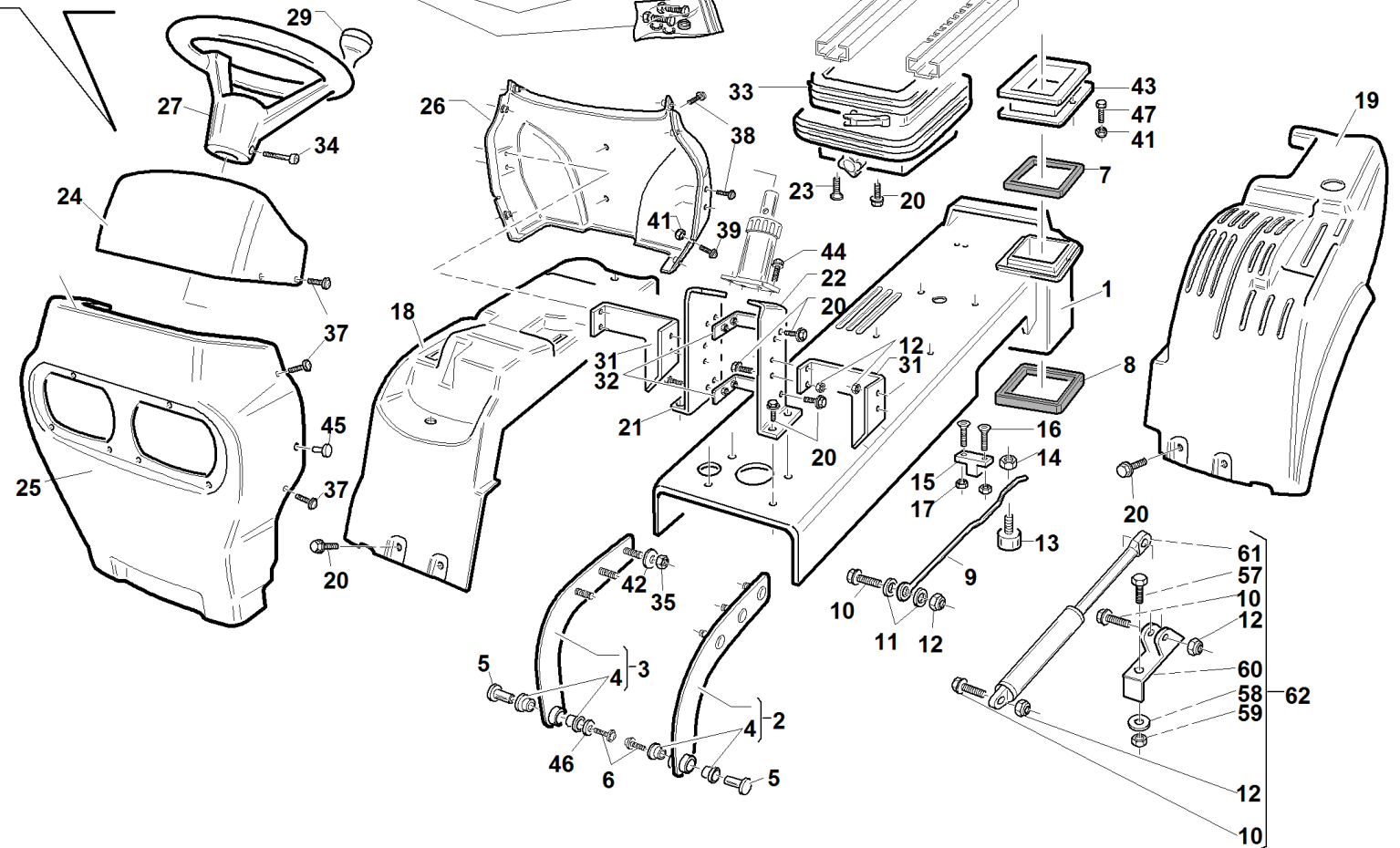
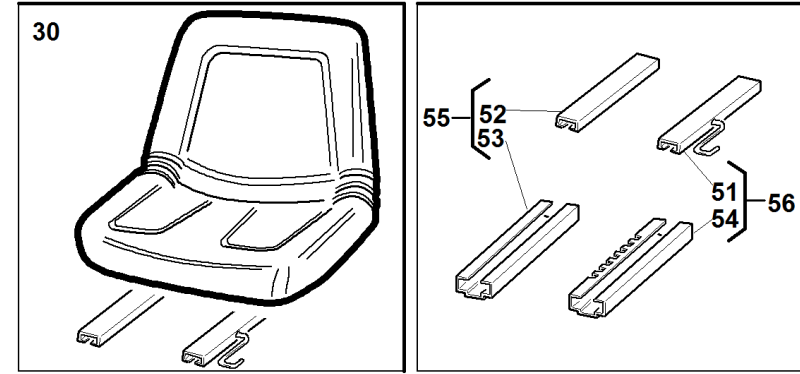
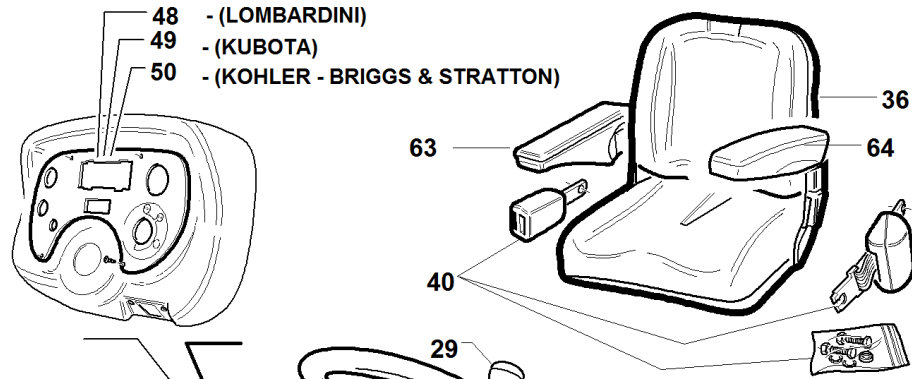
→ 04320110 ÷ 06401306 ←

→ 04320110 ÷ 06401606 ←

REF.01 - 00555991745

#	P/N	DESCRIPTION	PG/SR
1	95049480000	PG -TURBINE HOOD	
2	95200130000		
3	95200120000		
4	00111530003	BUSHING TFF 14X16 L=9	
5	94500000007	HOPPER FIXING PIN	
6	00111450014	SCREW FR M6X12	
8	95030300002	BAND L=540	
10	00111450002	SCREW WASHER M8X30	
12	00111000071	SELF BLO. NUT M8	
13	00111970005	VIBRATION-DAMPING STOPPER M10	
14	00111150002	NUT M10 6S ZNT	
18	95200000006	PG-SR RIGHT MUDGUARD	
19	95208000001	PG LEFT MUDGUARD	
20	00111450003	SCREW WASHER M8X20	
21	95049000038	RIGHT PG STEERING COLUMN	
22	95049000040	LEFT PG STEERING COLUMN	
23	00111000186	SCREW TSPEI M8X20	
24	94010000069	DASHBOARD	
25	95301290001	PG/SR FRONT DASHBOARD	
26	95049540000	PG REAR DASHBOARD	
27	00111970098	STEERING WHEEL	
29	00111970145	STEERING WHEEL KNOB	
30	00777850020	OTTO SEAT + UPPER SLIDES + MICROSWITCH	
31	95049000039	PG HEADLIGHT SUPPORT	
32	95049510000	REINFORCEMENT STEERING COLUMN	
33	00777850021	SPRING SEAT + LOWER SLIDES	
34	00111400015	ALLEN SCREW M6X40	
35	00111000095	SELF BLO. NUT M8	
36	00777850016	PG CONFORT SEAT	
37	00111450017	SCREW FR M4X18	
38	00111450015	SCREW M8x30	
39	00111450016	SCREW M6x25	
40	00777850019	BELT ROLLING UP	
42	00111000061	WASHER 8.4X24X2	
44	00111450001	SCREW WASHER M8X25	
45	00111970095	KNOB -81205-	
46	00111000037	WASHER 6.6X18X2	
48	95133100001	PG 180D INSTRUMENT PLATE	
49	95124240000		
50	95210000001	PG180/200 INSTRUMENT PLATE	
51	00777850022	UPPER LEFT GUIDE WITH LEVER	
52	00777850010	UPPER RIGHT GUIDE	
53	00777850003	LOWER RIGHT GUIDE	
54	00777850004	LOWER LEFT GUIDE	
55	00777850005	SEAT RIGHT GUIDE PAIR	
56	00777850023	SEAT LEFT GUIDE PAIR	
57	00111450007	FALS SCREW R.M10X25	
58	00111500013	WASHER P10,5x18x2	
59	00111250004	SELF BL. NUT M10	
60	95200000004	GAS SPRING SUPPORT BRACKET	
61	00111990106	360N GAS SPRING	
62	95599400000		
63	95207000004	SR LEFT MUDGUARD	
64	95207250000	SR HOOD COMPL.	
65	95599000032	RIGHT PG COMFORT-SEAT ARM	
66	95599000035	PG LEFT COMFORT SEAT ARM	

PG/SR



S/N
 →03276107÷ 04320109←
 →04169003÷ 04320109←

REF.01 - 00555991710

#	P/N	DESCRIPTION	PG/SR	REF. 01 - 00555991710
1	95049480000	PG -TURBINE HOOD		
2	95200130000			
3	95200120000			
4	00111530003	BUSHING TFF 14X16 L=9		
5	94500000007	HOPPER FIXING PIN		
6	00111450014	SCREW FR M6X12		
7	95043200001	AIR STOP 20X15 L=500		
8	95030300002	BAND L=540		
9	PZ95001000043	PUSH ROD HOOD		
10	00111450002	SCREW WASHER M8X30		
11	00111500006	WASHER D.8 NYLON		
12	00111000071	SELF BLO. NUT M8		
13	00111970005	VIBRATION-DAMPING STOPPER M10		
14	00111150002	NUT M10 6S ZNT		
15	00111970047	HOLDFAST -82058-		
16	00111350019	SCREW TSPEI M4X14		
17	00111250006	SELF BL. NUT M4		
18	95200000006	PG-SR RIGHT MUDGUARD		
19	95049000042	PG DIESEL LEFT MUDGUARD		
20	00111450003	SCREW WASHER M8X20		
21	95049000038	RIGHT PG STEERING COLUMN		
22	95049000040	LEFT PG STEERING COLUMN		
23	00111000186	SCREW TSPEI M8X20		
24	94010000069	DASHBOARD		
25	95301290001	PG/SR FRONT DASHBOARD		
26	95049540000	PG REAR DASHBOARD		
27	00111970098	STEERING WHEEL		
29	00111970145	STEERING WHEEL KNOB		
30	00777850020	OTTO SEAT + UPPER SLIDES + MICROSWITCH		
31	95049000039	PG HEADLIGHT SUPPORT		
32	95049510000	REINFORCEMENT STEERING COLUMN		
33	00777850021	SPRING SEAT + LOWER SLIDES		
34	00111400015	ALLEN SCREW M6X40		
35	00111000095	SELF BLO. NUT M8		
36	00777850016	PG CONFORT SEAT		
37	00111450017	SCREW FR M4X18		
38	00111450015	SCREW M8x30		
39	00111450016	SCREW M6x25		
40	00777850019	BELT ROLLING UP		
41	00111000166	SELF BL. SCREW M6		
42	00111000061	WASHER 8.4X24X2		
43	95125200000	PIPE UNION		
44	00111450001	SCREW WASHER M8X25		
45	00111970095	KNOB -81205-		
46	00111000037	WASHER 6.6X18X2		
47	00111000137	SCREW TE M6X25		
48	95133100001	PG 180D INSTRUMENT PLATE		
49	95124240000			
50	95210000001	PG180/200 INSTRUMENT PLATE		
51	00777850022	UPPER LEFT GUIDE WITH LEVER		
52	00777850010	UPPER RIGHT GUIDE		
53	00777850003	LOWER RIGHT GUIDE		
54	00777850004	LOWER LEFT GUIDE		
55	00777850005	SEAT RIGHT GUIDE PAIR		
56	00777850023	SEAT LEFT GUIDE PAIR		
57	00111450007	FALS SCREW R.M10X25		
58	00111500013	WASHER P10,5x18x2		
59	00111250004	SELF BL. NUT M10		
60	95200000004	GAS SPRING SUPPORT BRACKET		

#

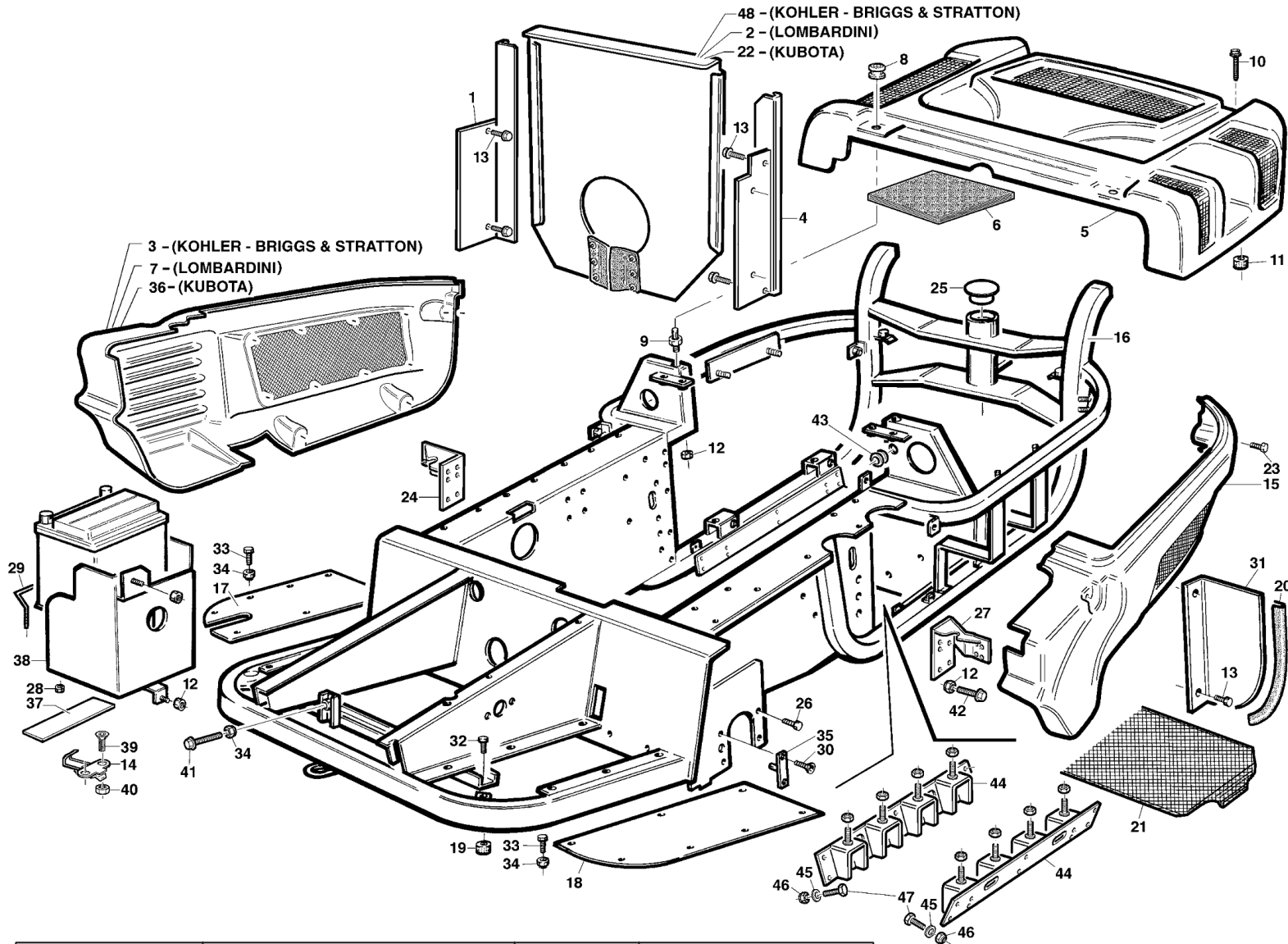
P/N

DESCRIPTION

PG/SR

REF. 01 - 0055991710

61	00111990106	360N GAS SPRING		
62	95599400000			
63	95599000032	RIGHT PG COMFORT-SEAT ARM		
64	95599000035	PG LEFT COMFORT SEAT ARM		



Pos	CODICE / CODE
01	PC95049280000
02	95049340000
03	95210120000
04	PC95049290000
05	95049460000
06	95534000001
07	95048420000
08	00111970066
09	95048100011
10	00111000034
11	00111970068
12	00111000071
13	00111450005
14	00111990038
15	95048410000
16	95049520000
17	95042000030
18	95042000012
19	00111970038
20	95049000022
21	PV95049000025
22	95124140000
23	00111450004
24	95125110000
25	94500000087
26	00111000076
27	95125190000
28	00111000166
29	95049260002
30	00111000103
31	PC95049290002
32	00111300028
33	PZ00111000001
34	00111000082
35	PZ95001340000
36	95124180000
37	95049000027
38	PC95049260000
39	00111350019
40	00111250006
41	00111000094
42	00111450001
43	00111970010
44	95200140000
45	00111000087
46	00111250014
47	00111300064
48	95210000006

Tav. 02 PG / SR 180 - 200 01/06/2004 Cod. 00555991711

#

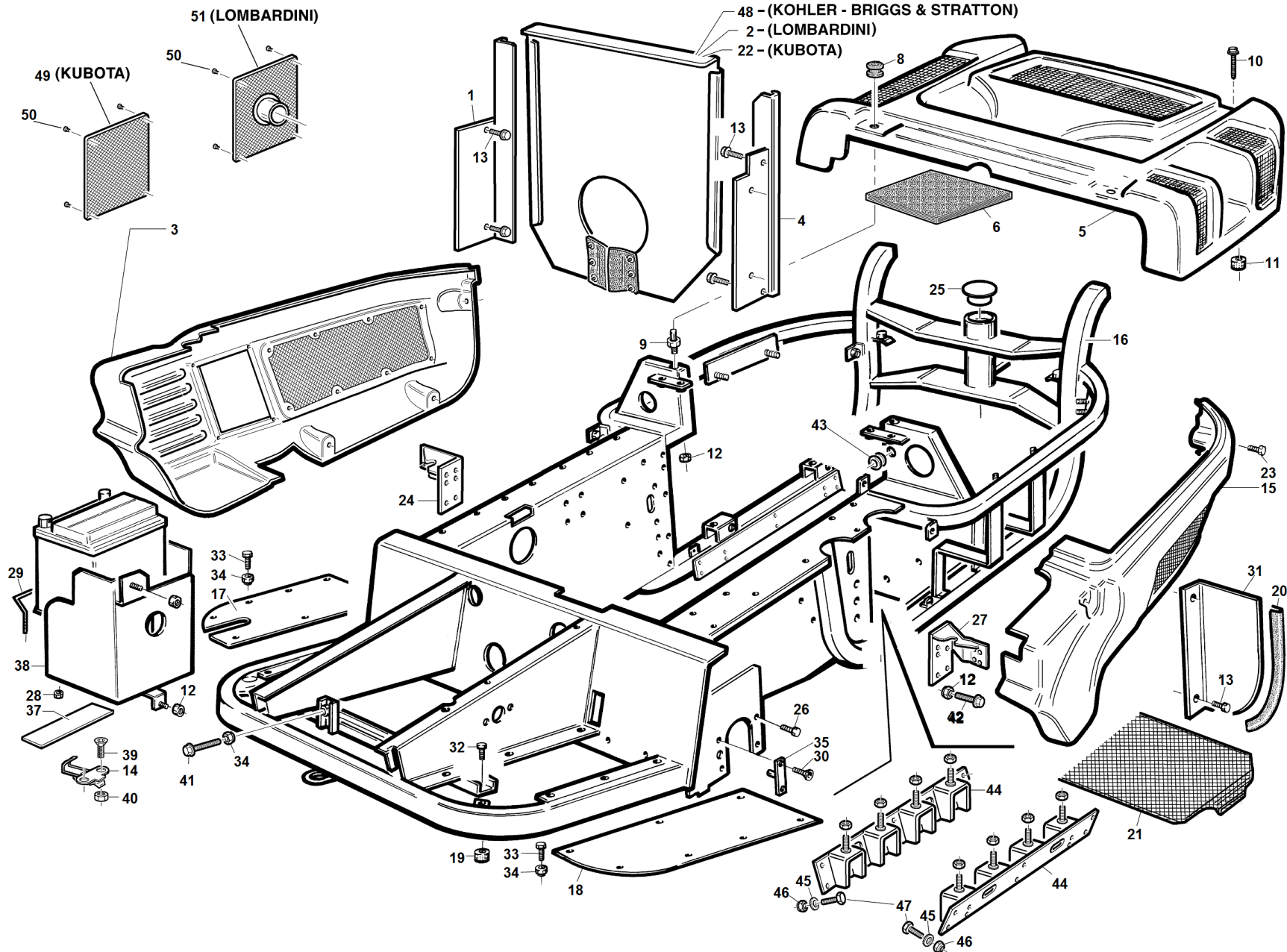
P/N

DESCRIPTION

REF. 02

#	P/N	DESCRIPTION	REF. 02

PG/SR

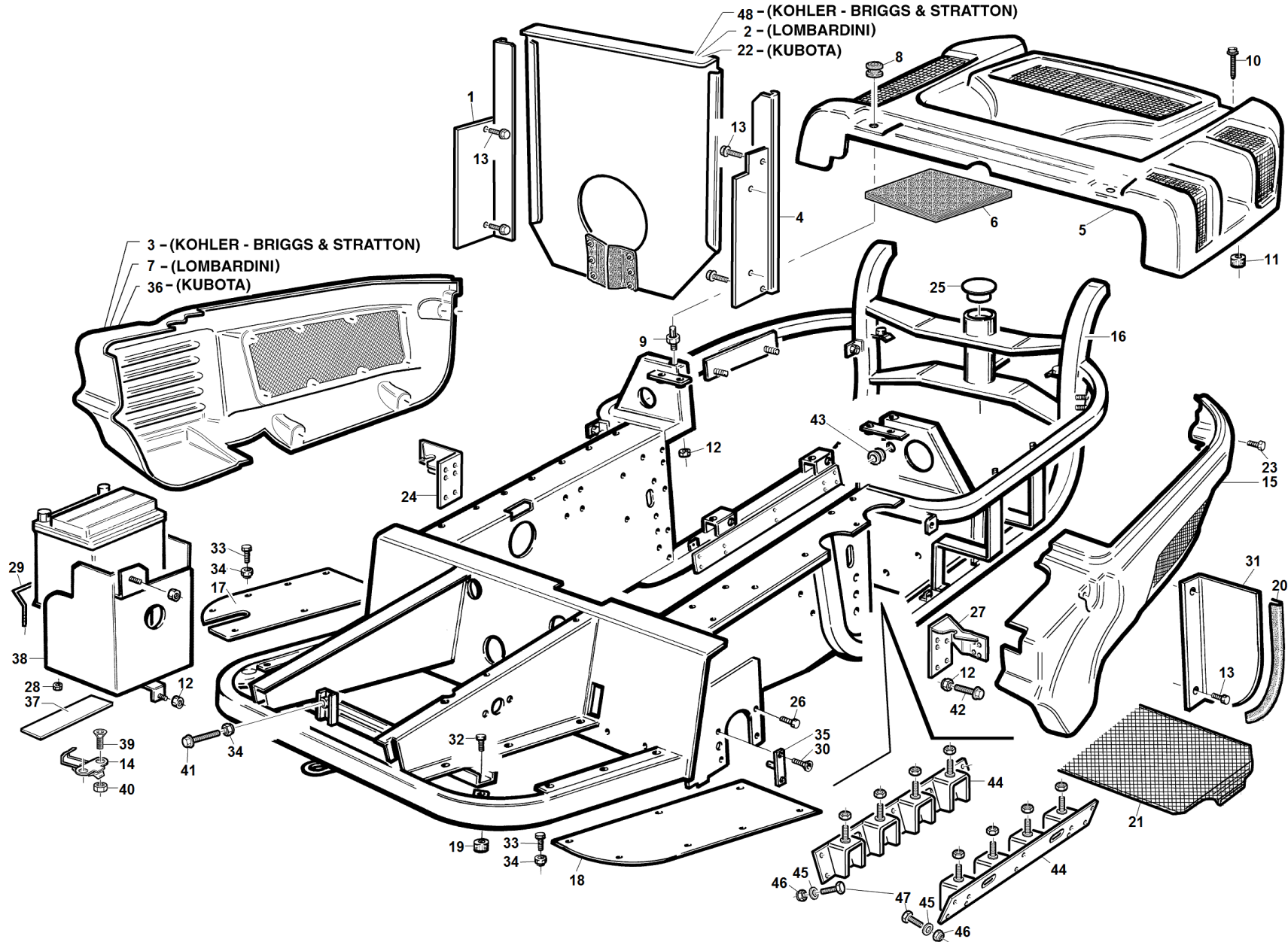


S/N
→04320110÷ 06401606←

REF.02 - 00555991746

#	P/N	DESCRIPTION	PG/SR
1	PC95049280000	RIGHT COMPL.CHANNEL	
2	95049340000	ENGINE CLOSING PLATE	
3	95301340000	ENGINE RIGHT SIDE BODY	
4	PC95049290000	LEFT COMPL.CHANNEL	
5	95200190000	PG/SR KUBOTA ENGINE COVER	
6	95534000001	DEADENING PANNEL 250 x 165-	
8	00111970066	CABLE HOLDER D.I.9	
9	95048100011	HOOD STOP PIN	
10	00111000034	SCREW TE M6X10	
11	00111970068	VIBRATION-DAMPING STOPPER M6 F H=25	
12	00111000071	SELF BLO. NUT M8	
13	00111450005	SCREW/W M6X16	
14	00111990038	CLOSURE 18-1104	
15	95200160000	LEFT SIDE ASSEMBLED BODY	
16	95200180000		
17	95042000030	RIGHT FOOTBOARD	
18	95042000012	LEFT FOOTBOARD	
19	00111970038	VIBRATION-DAMPING STOPPER M10 F	
20	95049000022	WASHER 229/6 I=320	
21	PV95049000025	COLLECTOR EXTRACTABLE GRID	
22	95124140000	ENGINE CLOSING PLATE	
23	00111450004	SCREW WASHER M8X12	
24	95125110000	RIGHT BRACKET	
25	94500000087	INSIDE BEARING PROTECTION	
26	00111000076	SCREW TE M10X25	
27	95125190000	LEFT BRACKET	
28	00111000166	SELF BL. SCREW M6	
29	95049260002	BATTERY FIXING ROD	
30	00111000103	SCREW TE M10X30	
31	PC95049290002	PROTECTION BUMPER	
32	00111300028	SCREW TE M10X12	
33	PZ00111000001	SCREW S.P. M8X20	
34	00111000082	NUT M8	
35	PZ95001340000	LIFTING ARMS SUPPORT	
37	95049000027	AIR STOP 20X5 301F L = 40 mm	
38	PC95049260000	BATTERY HOLDER	
39	00111350019	SCREW TSPEI M4X14	
40	00111250006	SELF BL. NUT M4	
41	00111000094	SCREW TE M8X40	
42	00111450001	SCREW WASHER M8X25	
43	00111970010	RUBBER EDGE 14X18X23	
44	95200140000	ENGINE SUPPORT COMPLETE	
45	00111000087	WASHER P.8,4X15.6X1,5	
46	00111250014	SELF BL. NUT M8	
47	00111300064	SCREW M8X25	
48	95210000006	ENGINE SPACE CLOSING PLATE	
49	95201000004	RIGHT KUBOTA ENGINE FAIRING GRID	
50	00111800007	RIVET D.3,9X12	
51	95202110000	RIGHT LOMBARD.ENGINE FAIRING GRID	

PG/SR

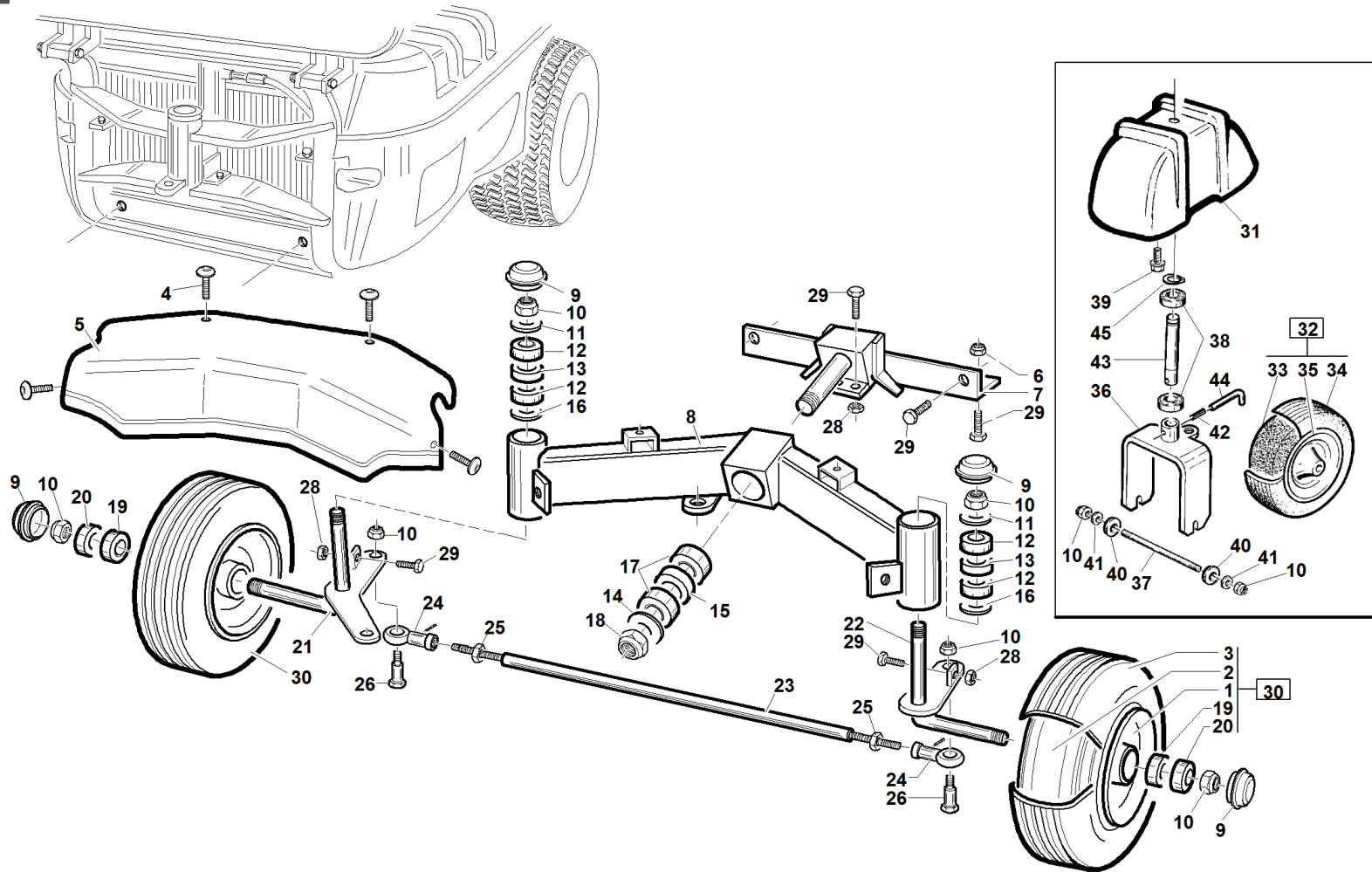


S/N

→03276107 ÷ 04320109←

REF.02 - 00555991711

#	P/N	DESCRIPTION	PG/SR
1	PC95049280000	RIGHT COMPL.CHANNEL	
2	95049340000	ENGINE CLOSING PLATE	
3	95210120000	PETROL PG RIGHT BODY	
4	PC95049290000	LEFT COMPL.CHANNEL	
5	95049460000	ASSEMBLED DIESEL ENGINE COVER	
6	95534000001	DEADENING PANNEL 250 x 165-	
7	95048420000	RIGHT SIDE ASSEMBLED DIESEL BODY	
8	00111970066	CABLE HOLDER D.I.9	
9	95048100011	HOOD STOP PIN	
10	00111000034	SCREW TE M6X10	
11	00111970068	VIBRATION-DAMPING STOPPER M6 F H=25	
12	00111000071	SELF BLO. NUT M8	
13	00111450005	SCREW/W M6X16	
14	00111990038	CLOSURE 18-1104	
15	95048410000	LEFT SIDE ASSEMBLED DIESEL BODY	
16	95049520000	COMPLETE PG FRAME	
17	95042000030	RIGHT FOOTBOARD	
18	95042000012	LEFT FOOTBOARD	
19	00111970038	VIBRATION-DAMPING STOPPER M10 F	
20	95049000022	WASHER 229/6 I=320	
21	PV95049000025	COLLECTOR EXTRACTABLE GRID	
22	95124140000	ENGINE CLOSING PLATE	
23	00111450004	SCREW WASHER M8X12	
24	95125110000	RIGHT BRACKET	
25	94500000087	INSIDE BEARING PROTECTION	
26	00111000076	SCREW TE M10X25	
27	95125190000	LEFT BRACKET	
28	00111000166	SELF BL. SCREW M6	
29	95049260002	BATTERY FIXING ROD	
30	00111000103	SCREW TE M10X30	
31	PC95049290002	PROTECTION BUMPER	
32	00111300028	SCREW TE M10X12	
33	PZ00111000001	SCREW S.P. M8X20	
34	00111000082	NUT M8	
35	PZ95001340000	LIFTING ARMS SUPPORT	
36	95124180000	KUBOTA RIGHT SIDE BODY	
37	95049000027	AIR STOP 20X5 301F L = 40 mm	
38	PC95049260000	BATTERY HOLDER	
39	00111350019	SCREW TSPEI M4X14	
40	00111250006	SELF BL. NUT M4	
41	00111000094	SCREW TE M8X40	
42	00111450001	SCREW WASHER M8X25	
43	00111970010	RUBBER EDGE 14X18X23	
44	95200140000	ENGINE SUPPORT COMPLETE	
45	00111000087	WASHER P.8,4X15.6X1,5	
46	00111250014	SELF BL. NUT M8	
47	00111300064	SCREW M8X25	
48	95210000006	ENGINE SPACE CLOSING PLATE	



Tav.	03	PG / SR 180 - 200	23/02/2004	Cod. 00555991724
------	----	-------------------	------------	------------------

Pos	CODICE/ CODE
01	95097191000
02	00111930010
03	00111940016
04	00111450004
05	95097000007
06	00111250004
07	95599290000
08	PV95097110000
09	00777270005
10	00111250011
11	95097000002
12	00777100035
13	95097000003
14	95097000004
15	95097000005
15	95204000001
16	95097000006
17	00777100012
17	00777100047
18	00111000043
19	00777100008
20	00777100028
21	95097120000
22	95097130000
23	PZ95097150000
24	00777200017
25	00111150004
26	95097000008
27	95060000001
28	00111150002
29	00111300018
30	95097190000
31	95092000004
32	95046100000
33	00111930005
34	00111940010
35	95046100001
36	95092100000
37	95046100002
38	00777100027
39	00111450008
40	95500000075
41	00111500004
42	00111700004
43	95092000003
44	95042000026
45	00111000065

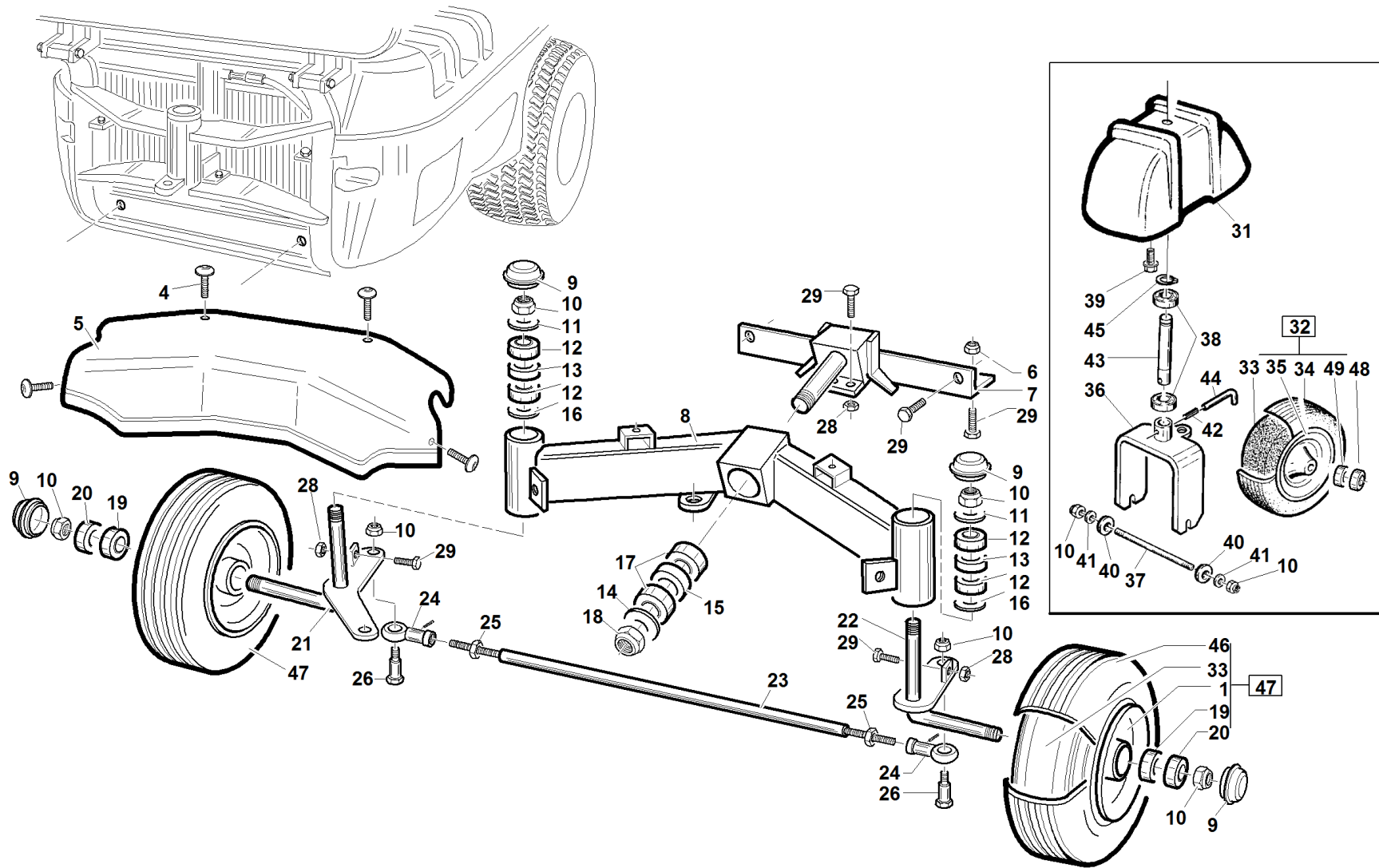
#

P/N

DESCRIPTION

REF. 03

#	P/N	DESCRIPTION	REF. 03

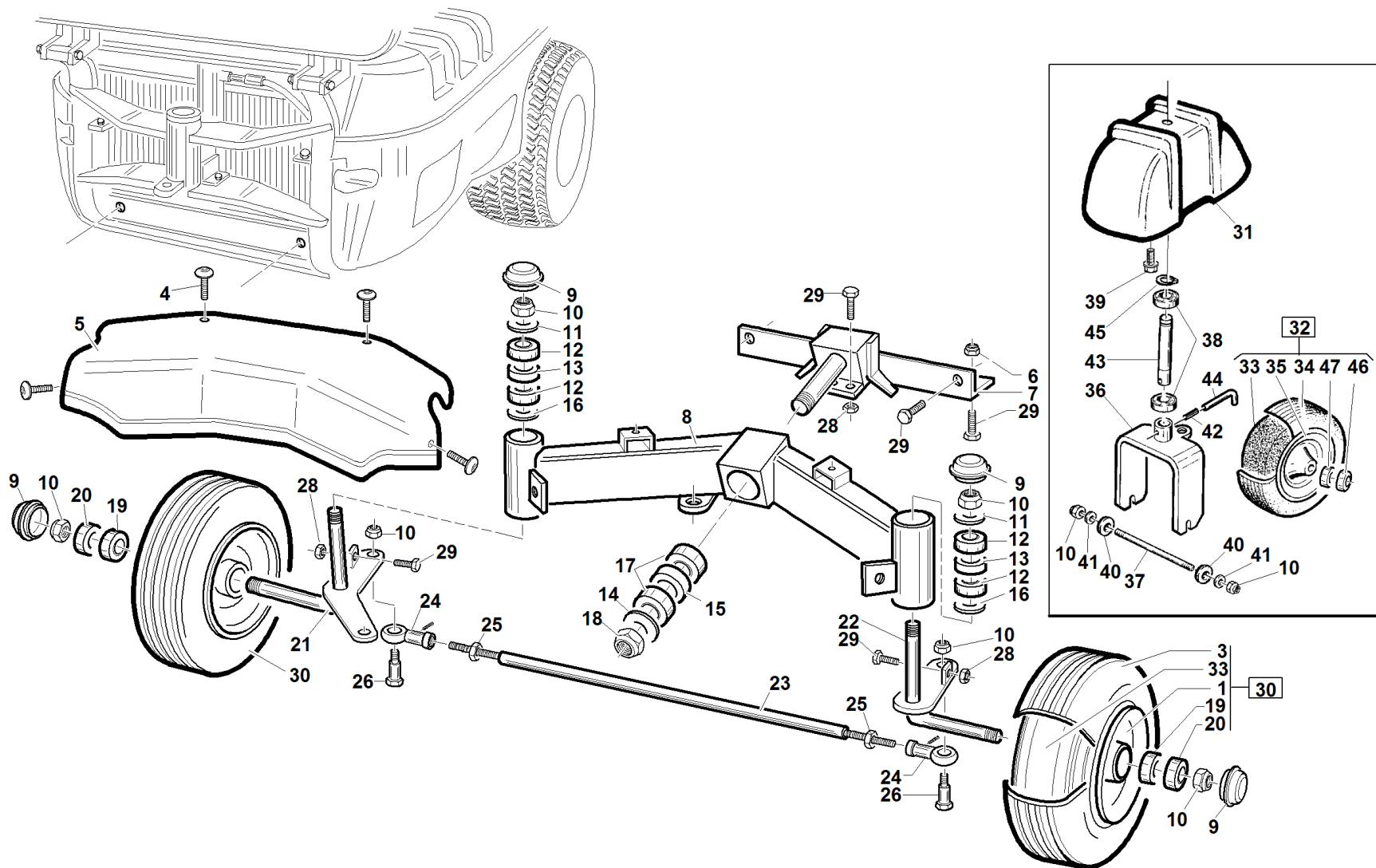


S/N

→05352606÷ 06401606←

REF.03 - 00555991757

#	P/N	DESCRIPTION	PG/SR
1	95097191000	TYRE DISC 4.50X6	
2	00111930005	INNER TUBE 15,6.00X6" TR13	
4	00111450004	SCREW WASHER M8X12	
5	95097000007	ABS AXLE PROTECTION	
6	00111250004	SELF BL. NUT M10	
7	95599290000	REAR AXLE SUPPORT KIT	
8	PV95097110000	4 WHEELS COMPLETE AXLE	
9	00777270005	CAP D=47	
10	00111250011	SELF BL. NUT M14x1,5	
11	95097000002	SPACER 14,5X32X4	
12	00777100035	BEARING 6005 2RS 25X47X12	
13	95097000003	SPACER SHAFT WHEEL	
14	95097000004	SPACER 20,5X45X4	
15	95097000005	SPACER FIXING AXLE	
15	95204000001	AXLE FIXING SPACER	
16	95097000006	SPACER 25,5X35X4	
17	00777100012	BEARING 6006 2RS 30X55X13	
17	00777100047	BEARING 61907 2RS 35x55x10	
18	00111000043	SELF BLO. NUT UNI 7473	
19	00777100008	BEARING 6204 2RS 20x47x14	
20	00777100028	KOYO BEARING 6303 2RS	
21	95097120000	LEFT WHEEL SHAFT	
22	95097130000	RIGHT WHEEL SHAFT	
23	PZ95097150000	COMPLETE TYE-ROD STEERING	
24	00777200017	BIG END OF THE CONNECTING ROD SF14	
25	00111150004	NUT M14	
26	95097000008	SHAFT TYE-ROD STEERING	
27	95060000001	FIXING SCREW CYLINDER	
28	00111150002	NUT M10 6S ZNT	
29	00111300018	SCREW TE M10X35	
31	95092000004	REAR WHEEL MUDGUARD	
32	95046100000	COMPLETE WHEEL 15x6.00-6	
33	00111930005	INNER TUBE 15,6.00X6" TR13	
34	00111940010	PNEUMATIC 15X6.00-6" 6PR	
35	95599480000	RIM 5.00X6	
36	95092100000	REAR WHEEL FORK PG	
37	95046100002	SHAFT WHEEL 15X6.00-6	
38	00777100027	BEARING 6205 2RS	
39	00111450008	SCREW/W M8X20 V29	
40	95500000075	REAR WHEEL SPACER	
41	00111500004	WASHER 15,2X28X2.5	
42	00111700004	PIN EL D.8 X 45	
43	95092000003	PG 3 WHEELS STEERING SHAFT	
44	95042000026	SPLIT PIN	
45	00111650037	SNAP RING E X Ø25 UNI 7435	
46	95204110001	TIRE 13X6.50-6 4PR	
47	95204110000	COMPLETE WHEEL 13X6.50-6	
48	00777100005	KOYO BEARING 6202 2RS	
49	95599000030	SPACER	

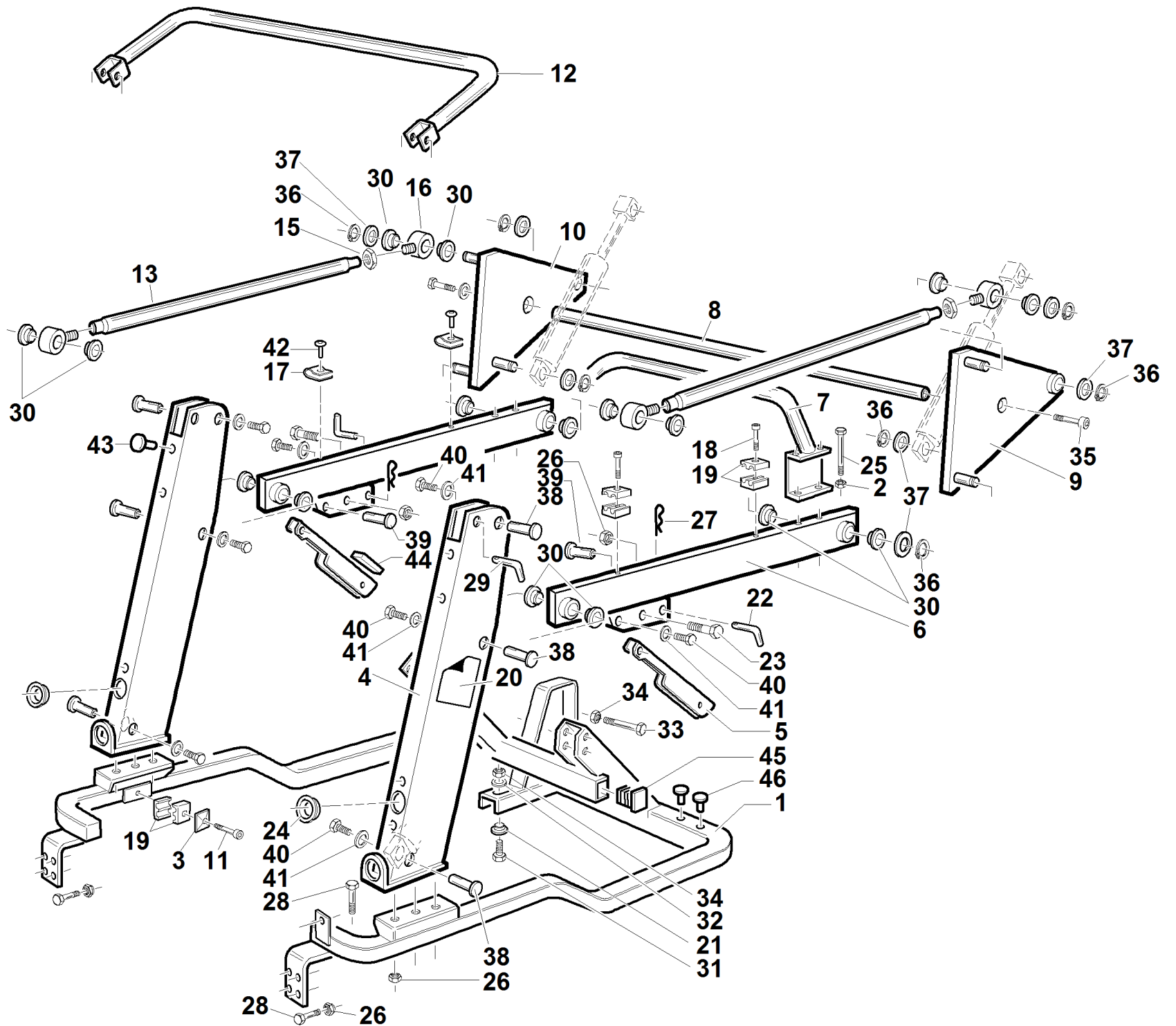


S/N

→03276107÷ 05352506←

REF.03 - 00555991724

#	P/N	DESCRIPTION	PG/SR
1	95097191000	TYRE DISC 4.50X6	
3	95204110001	TIRE 13X6.50-6 4PR	
4	00111450004	SCREW WASHER M8X12	
5	95097000007	ABS AXLE PROTECTION	
6	00111250004	SELF BL. NUT M10	
7	95599290000	REAR AXLE SUPPORT KIT	
8	PV95097110000	4 WHEELS COMPLETE AXLE	
9	00777270005	CAP D=47	
10	00111250011	SELF BL. NUT M14x1,5	
11	95097000002	SPACER 14,5X32X4	
12	00777100035	BEARING 6005 2RS 25X47X12	
13	95097000003	SPACER SHAFT WHEEL	
14	95097000004	SPACER 20,5X45X4	
15	95097000005	SPACER FIXING AXLE	
15	95204000001	AXLE FIXING SPACER	
16	95097000006	SPACER 25,5X35X4	
17	00777100012	BEARING 6006 2RS 30X55X13	
17	00777100047	BEARING 61907 2RS 35x55x10	
18	00111000043	SELF BLO. NUT UNI 7473	
19	00777100008	BEARING 6204 2RS 20x47x14	
20	00777100028	KOYO BEARING 6303 2RS	
21	95097120000	LEFT WHEEL SHAFT	
22	95097130000	RIGHT WHEEL SHAFT	
23	PZ95097150000	COMPLETE TYE-ROD STEERING	
24	00777200017	BIG END OF THE CONNECTING ROD SF14	
25	00111150004	NUT M14	
26	95097000008	SHAFT TYE-ROD STEERING	
27	95060000001	FIXING SCREW CYLINDER	
28	00111150002	NUT M10 6S ZNT	
29	00111300018	SCREW TE M10X35	
30	95204110000	COMPLETE WHEEL 13X6.50-6	
31	95092000004	REAR WHEEL MUDGUARD	
32	95046100000	COMPLETE WHEEL 15x6.00-6	
33	00111930005	INNER TUBE 15,6.00X6" TR13	
34	00111940010	PNEUMATIC 15X6.00-6" 6PR	
35	95599480000	RIM 5.00X6	
36	95092100000	REAR WHEEL FORK PG	
37	95046100002	SHAFT WHEEL 15X6.00-6	
38	00777100027	BEARING 6205 2RS	
39	00111450008	SCREW/W M8X20 V29	
40	95500000075	REAR WHEEL SPACER	
41	00111500004	WASHER 15,2X28X2.5	
42	00111700004	PIN EL D.8 X 45	
43	95092000003	PG 3 WHEELS STEERING SHAFT	
44	95042000026	SPLIT PIN	
45	00111650037	SNAP RING E X Ø25 UNI 7435	
46	00777100005	KOYO BEARING 6202 2RS	
47	95599000030	SPACER	



#	P/N	DESCRIPTION	PG/SR
1	95125130000	COMPLETE FRAME	
2	00111000071	SELF BLO. NUT M8	
3	00111990081	COLLAR PAIR PLATE	
4	95125210000	COMPLETE UPRIGHT	
5	95125000008	SECURITY CAP	
6	95125170000	LIFTING ARM	
7	95125120000	COMPLETE SPACER BAR	
8	95125000001	LIFT ARM SPACER	
9	95125160000	LEFT TRIANGLE	
10	95125150000	RIGHT TRIANGLE	
11	00111990082	SCREW TE M6X35	
12	95125100000	COMPLETE ROLL BAR	
13	95125000012	HIGH DUMP TIE ROD	
14	94017000003	BUSHING M20X1.5 LEFT	
15	00111150011	NUT 5589 M20X1.5	
16	94013000015	BUSHING M20X1.5	
17	00111810020	CLAMP 3/8 -82197	
18	00111400015	ALLEN SCREW M6X40	
19	11001000012	DOUBLE COLLAR 12X12 P.	
20	00555200119	TRANSFER PRINTING	
21	95006000015	BLADE BUSHING	
22	95125000009	PIN	
23	00111300049	SCREW TE UNI 5737	
24	00111970128	FAIRLEAD UPRIGHT	
25	00111300054	SCREW TE UNI	
26	00111250004	SELF BL. NUT M10	
27	00111750004	"BETA DECO" SPLIT PIN	
28	00111300018	SCREW TE M10X35	
29	95125000010	ROLLBAR PIN	
30	00111990017	BUSHING WITH EDGE TFF 20/16,5	
31	00111000024	SCREW TE UNI 5739	
32	00111500003	WASHER 12X36X3	
33	00111300010	SCREW TE M12X70	
34	00111250009	SELF BL. NUT M12X1.5	
35	00111400041	SCREW M14X30	
36	00111000057	SNAP RING D.20 E	
37	00111500011	WASHER 20X30X2	
38	94010000060	CYLINDER FIXING PIN	
39	94010000059	ROD FIXING PIN	
40	00111000081	SCREW TE M8X16	
41	00111000061	WASHER 8.4X24X2	
42	00111000054	RIVET D.4.8x12 AL	
43	00111970169	CLOSER PLUG D. 10.5	
44	95128100001	AIR STOP 20X15 L=70	
45	00111970148	RECTANGULAR PUSH ROD 30x40	
46	00111970168	CLOSER PLUG	

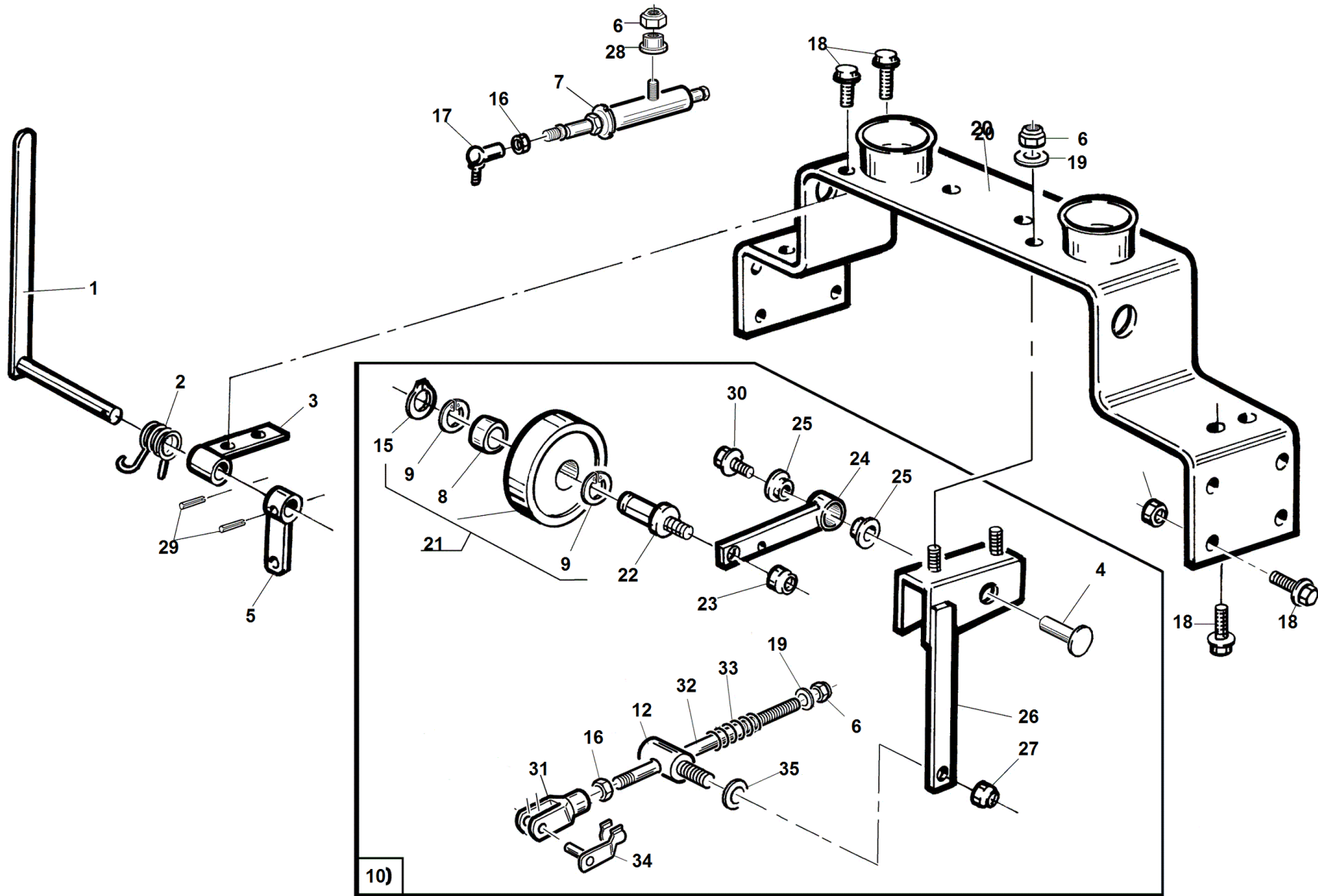
#

P/N

DESCRIPTION

REF. 05

#	P/N	DESCRIPTION	REF. 05



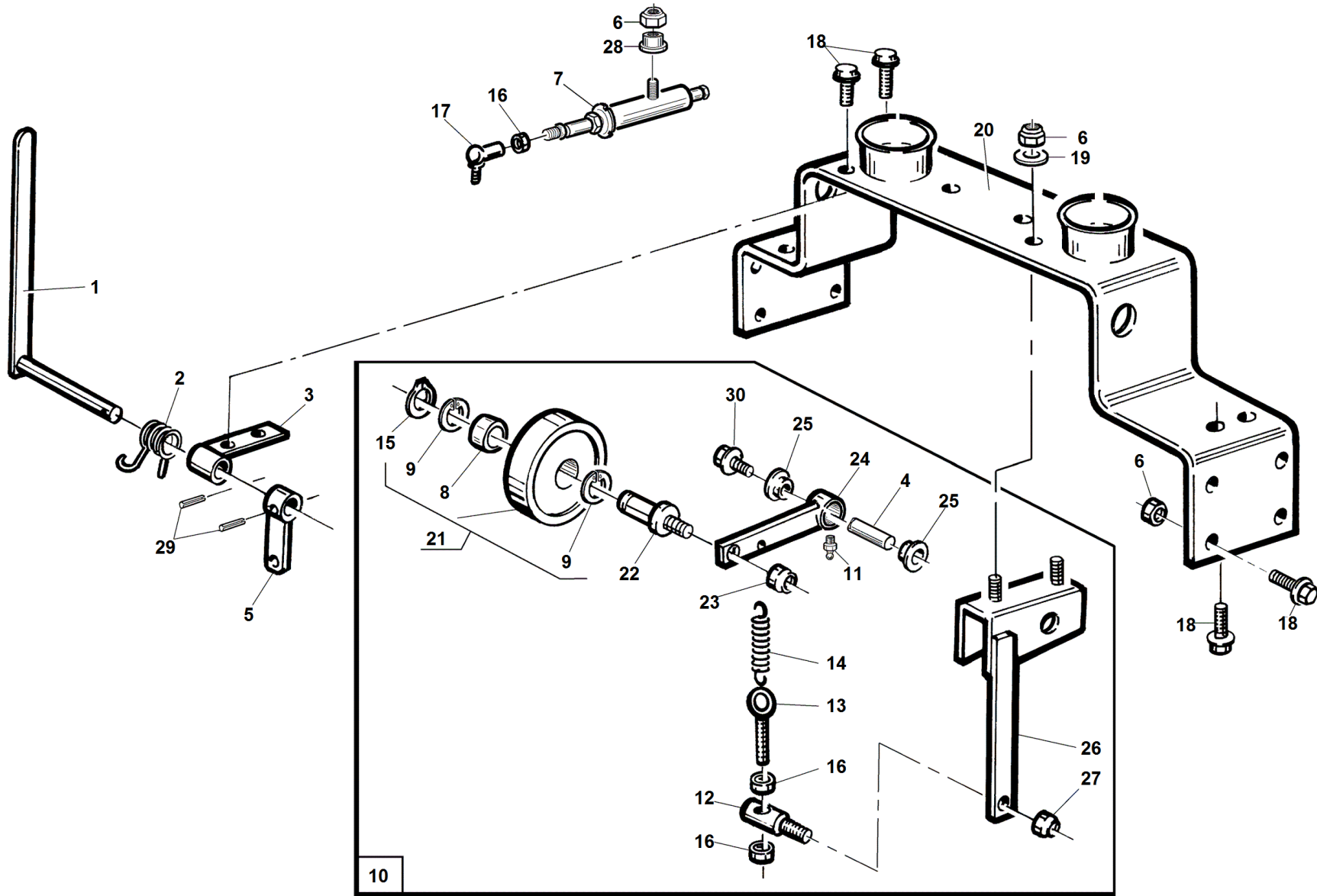
S/N

→05343004÷ 06401606←

REF.05 - 00555991759

#	P/N	DESCRIPTION	PG/SR
1	PZ95042187000	SHAFT LEVER	
2	95504000019	SPRING TROLLEY ATTACHM.	
3	PZ95042183000	BY-PASS LEVER SUPPORT	
4	95200200001	TIGHTENER PIN	
5	PZ95042184000	LEVER BY PASS	
6	00111000071	SELF BLO. NUT M8	
7	95042230000	COMPLETE MECC. CYLINDER	
8	00777100005	KOYO BEARING 6202 2RS	
9	00111650005	SNAP RING D.35 I	
10	95200200000	BELT TIGHTENER	
12	94010820000	SPRING TENSION DRILL ROD	
15	00111650004	SNAP RING D.15 E	
16	00111000082	NUT M8	
17	00777200001	ROUND JOINT AS 13 M8	
18	00111450003	SCREW WASHER M8X20	
19	00111000087	WASHER P.8,4X15.6X1,5	
20	PC95042181000	TOP SUPPORT	
21	95599200000	TIGHTENER PULLEY PG	
22	95042130001	TENSION PIN	
23	00111250002	SELF BL. NUT M12	
24	95200201000	TIGHTENER BELT LEVER	
25	00111530006	BUSHING 15X17X12	
26	95200201100	BELT TIGHTENER SUPPORT	
27	00111000080	SELF BLO. SCREW M10	
28	00111530001	SYNTHETIZE BUSHING 8X10 L=5.5	
29	00111700008	PIN ELASTIC D.3X16	
30	00111000059	FAKE SCREW/WASH. M8X14	
31	00111000196	FORK IN M8	
32	95200200002	TIGHTENER STAFF	
33	94500000088	PTO TIGHTENER SPRING	
34	00111000194	FORKED PIN D.8	
35	00111500001	WASHER 10.5X21X2	

PG/SR



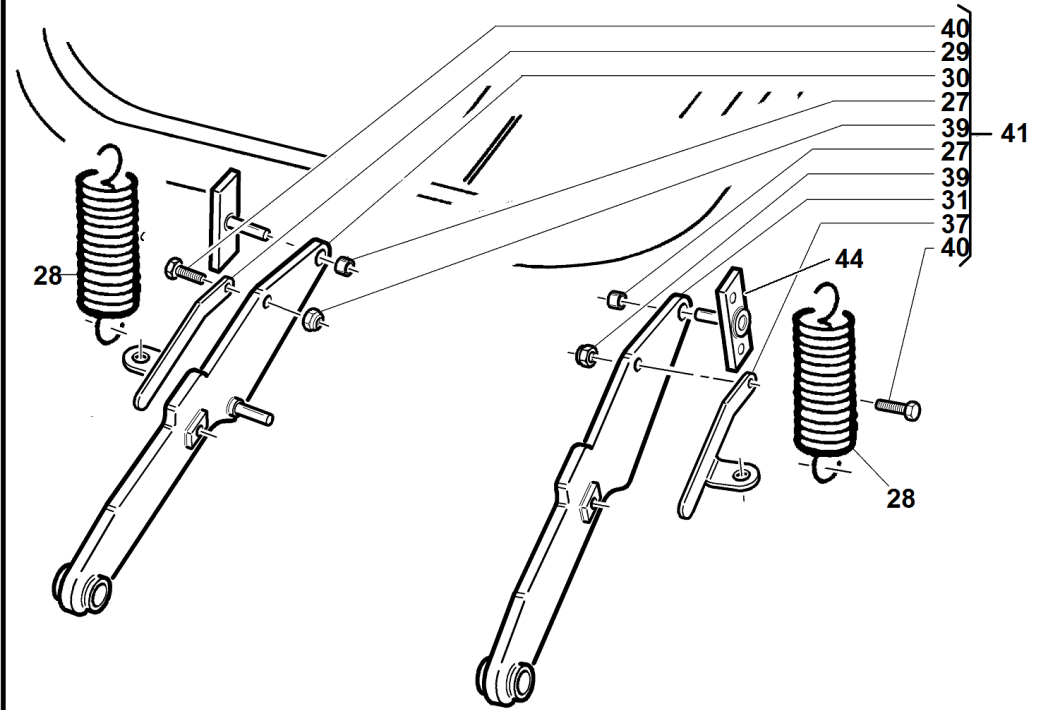
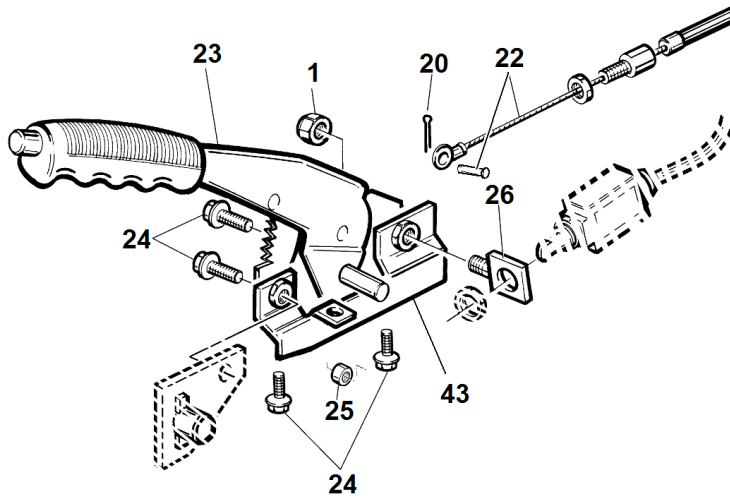
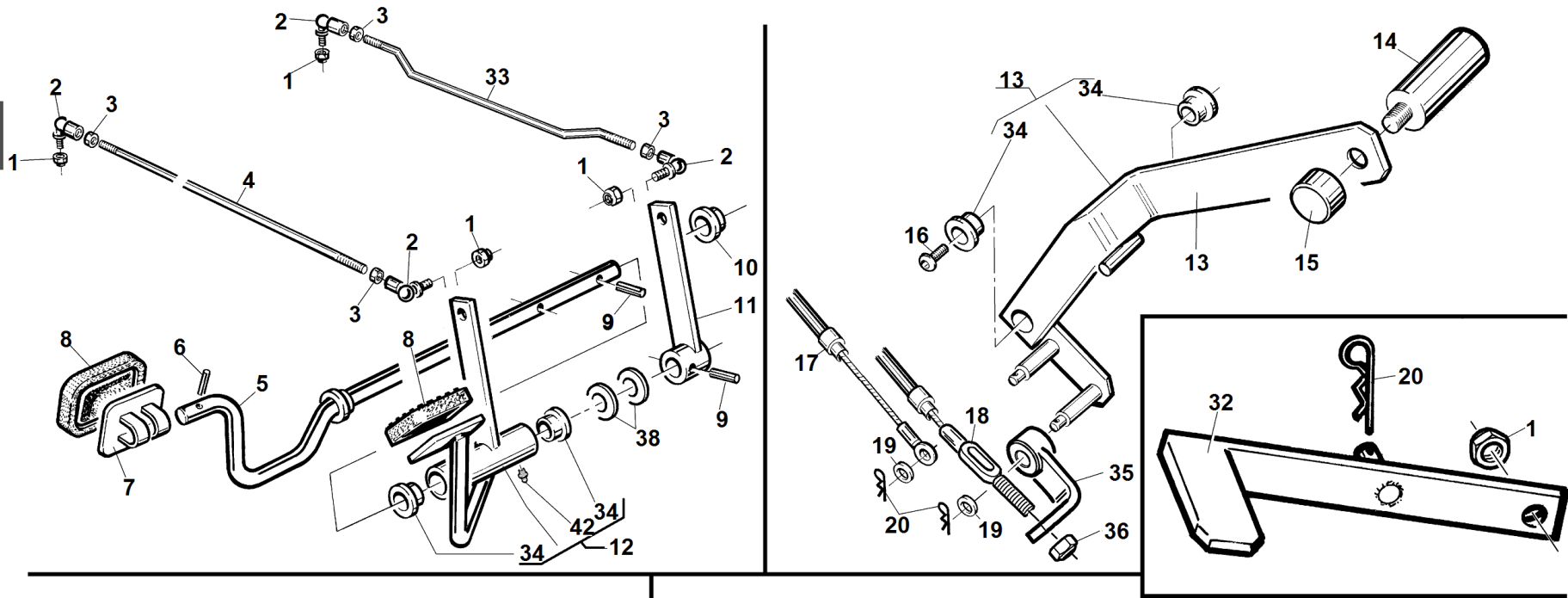
S/N

→03276107÷ 05343004←

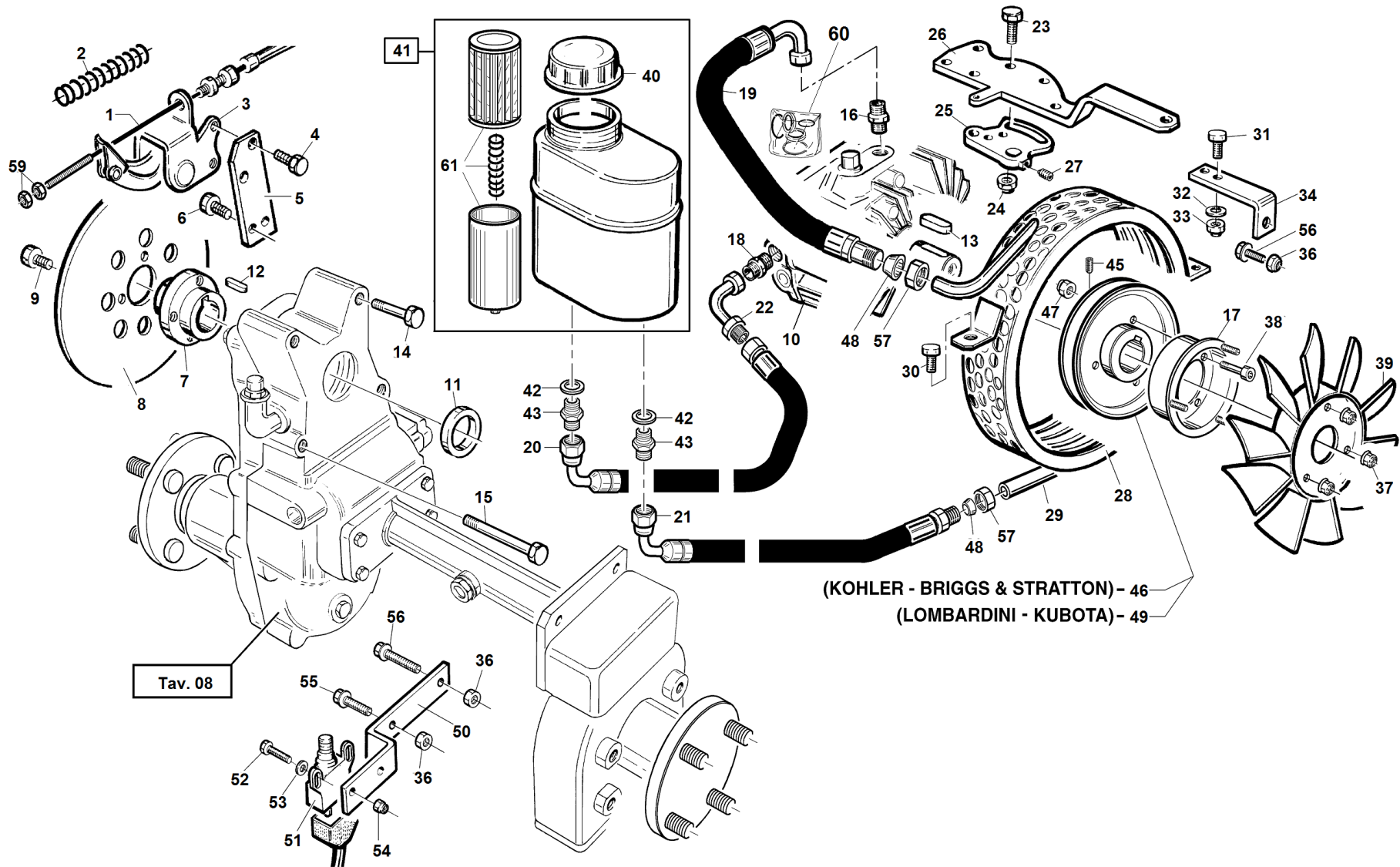
REF.05 - 00555991714

#	P/N	DESCRIPTION	PG/SR
1	PZ95042187000	SHAFT LEVER	
2	95504000019	SPRING TROLLEY ATTACHM.	
3	PZ95042183000	BY-PASS LEVER SUPPORT	
4	95500000058	PTO LEVER PIN	
5	PZ95042184000	LEVER BY PASS	
6	00111000071	SELF BLO. NUT M8	
7	95042230000	COMPLETE MECC. CYLINDER	
8	00777100005	KOYO BEARING 6202 2RS	
9	00111650005	SNAP RING D.35 I	
10	95200200000	BELT TIGHTENER	
11	00111000036	GREASER M6	
12	95042130002	SPRING TENSION DRILL ROD	
13	00111990024	METAL EYELET M8 RIGHT	
14	95029000022	TRACTION DISC SPRING	
15	00111650004	SNAP RING D.15 E	
16	00111000082	NUT M8	
17	00777200001	ROUND JOINT AS 13 M8	
18	00111450003	SCREW WASHER M8X20	
19	00111000087	WASHER P.8,4X15.6X1,5	
20	PC95042181000	TOP SUPPORT	
21	95599200000	TIGHTENER PULLEY PG	
22	95042130001	TENSION PIN	
23	00111250002	SELF BL. NUT M12	
24	PZ95042132000	TIGHTENER BELT LEVER	
25	95001000060	BRASS BUSHING	
26	PZ95042131000	BELT TIGHTENER SUPPORT	
27	00111000080	SELF BLO. SCREW M10	
28	00111530001	SYNTHETIZE BUSHING 8X10 L=5.5	
29	00111700008	PIN ELASTIC D.3X16	
30	00111000059	FAKE SCREW/WASH. M8X14	

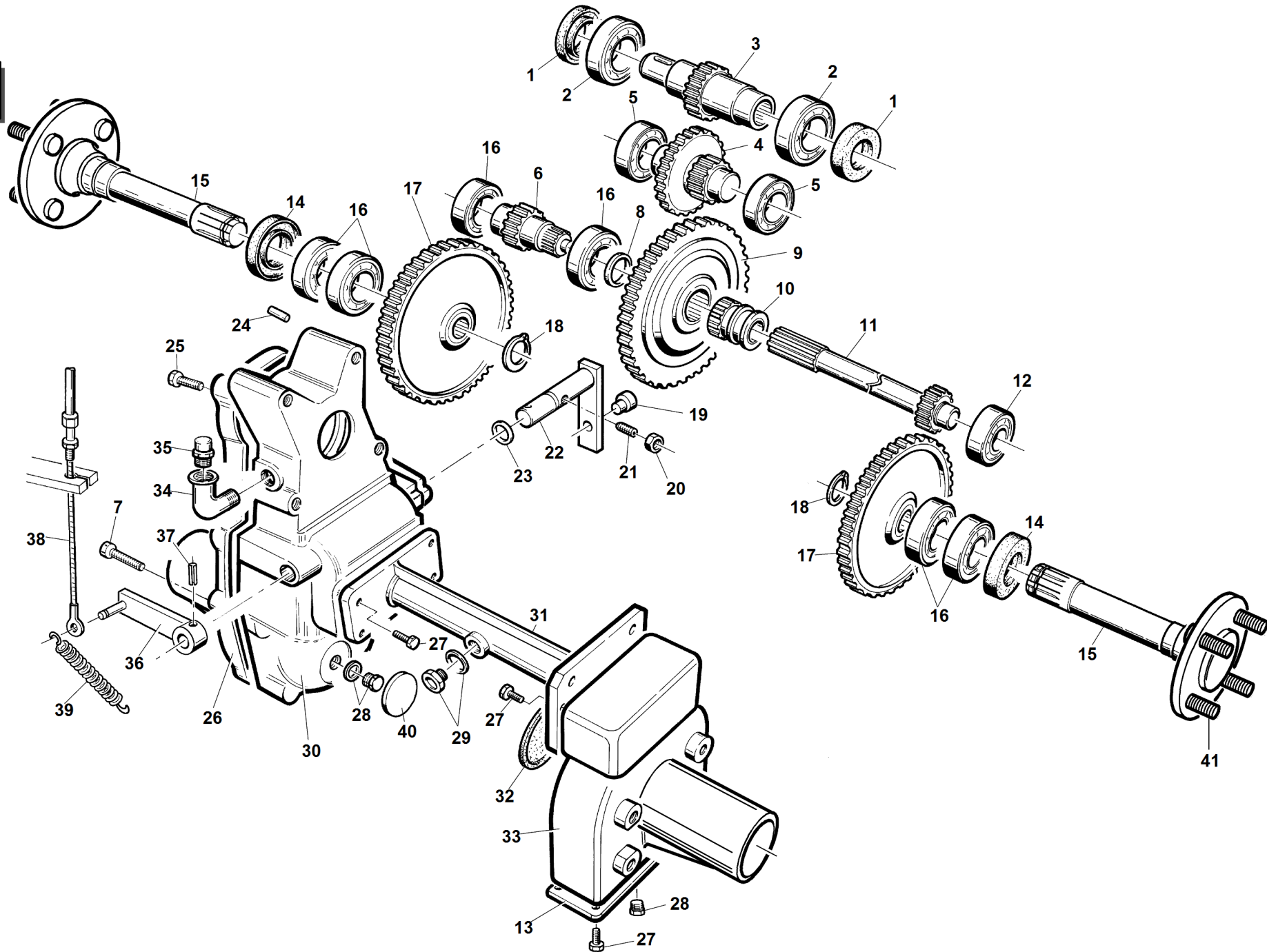
PG/SR



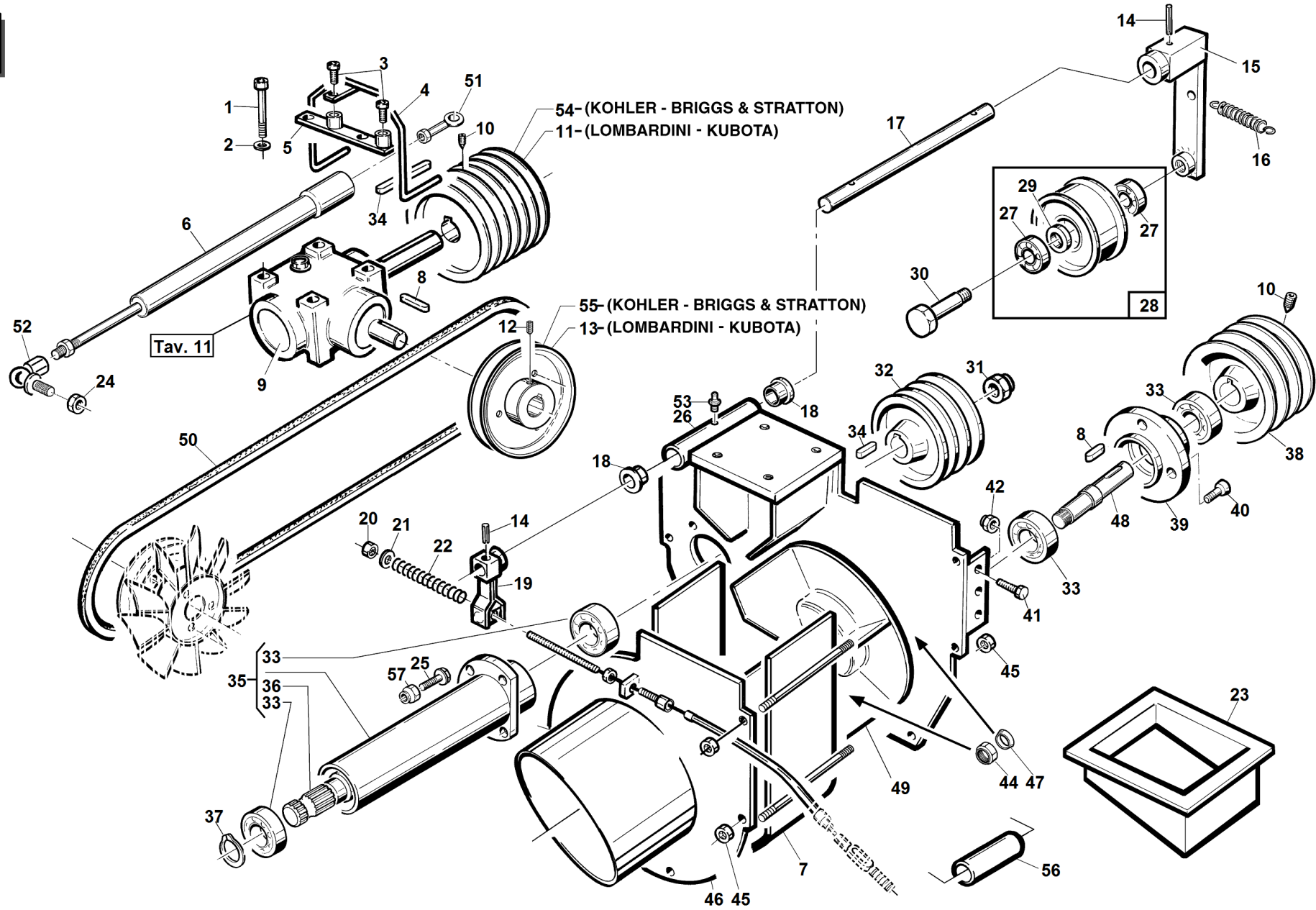
#	P/N	DESCRIPTION	PG/SR
1	00111000071	SELF BLO. NUT M8	
2	00777200001	ROUND JOINT AS 13 M8	
3	00111000082	NUT M8	
4	95042000004	ACCELERATOR TIE ROD	
5	PZ95042000001	ACCELERATOR PEDAL BAR	
6	00111700009	PIN EL. SPIROL D.6X20	
7	PZ95042120000	COMPLETE ACCELERATOR PEDAL	
8	00111970006	RUBBER PEDAL COVER	
9	00111700006	PIN EL D.6X28	
10	95001000013	BUSHING	
11	PZ95042170000	COMPLETE ACCELERATOR LEVER	
12	95042390000	ASSEMBLED REVERSE PEDAL	
13	95125230000	LEVER PTO TURBINE COMP.	
14	95500000071	PTO LONG KNOB	
15	95500000070	PTO SHORT KNOB	
16	00111450004	SCREW WASHER M8X12	
17	95001000020	BELT BRAKE CABLE	
18	95042210004	ADJUSTABLE TURBINE AND PTO CABLE	
19	00111500009	WASHER 6.4X12.5X1.6	
20	00111000114	PIN "R" D.1,2	
20	00111750006	SPLIT PIN 1,6X20	
22	95042000013	HAND BRAKE CABLE	
23	00111990015	HAND BRAKE LEVER	
24	00111450003	SCREW WASHER M8X20	
25	95001000027	BORE WASHER Ø8.25X14 L=8	
26	PZ95042190000	MICRO SUPPORT	
27	00111530005	BUSHING FRIMET 18 20 10	
28	95070000001	COMPENSATION SPRING	
29	95042000031	RIGHT SPRING ATTACHMENT PLATE	
30	95042550000	RIGHT LIFTING ARM	
31	95042540000	LEFT LIFTING ARM	
32	PZ95001390000	DIFFERENTIAL LOCK PEDAL	
33	95042000028	ZINCATE ACCELLARATOR TIE ROD	
34	95001000060	BRASS BUSHING	
35	PZ95042216000	TURBINE CABLE REGISTER	
36	00111000095	SELF BLO. NUT M8	
37	95042000032	LEFT SPRING ATTACHMENT PLATE	
38	00111500004	WASHER 15,2X28X2.5	
39	00111250004	SELF BL. NUT M10	
40	00111000103	SCREW TE M10X30	
41	95170000000	PG LIFTING ARMS KIT	
42	00111000036	GREASER M6	
43	PZ95500390000	HAND BRAKE SUPPORT	
44	PZ95001340000	LIFTING ARMS SUPPORT	



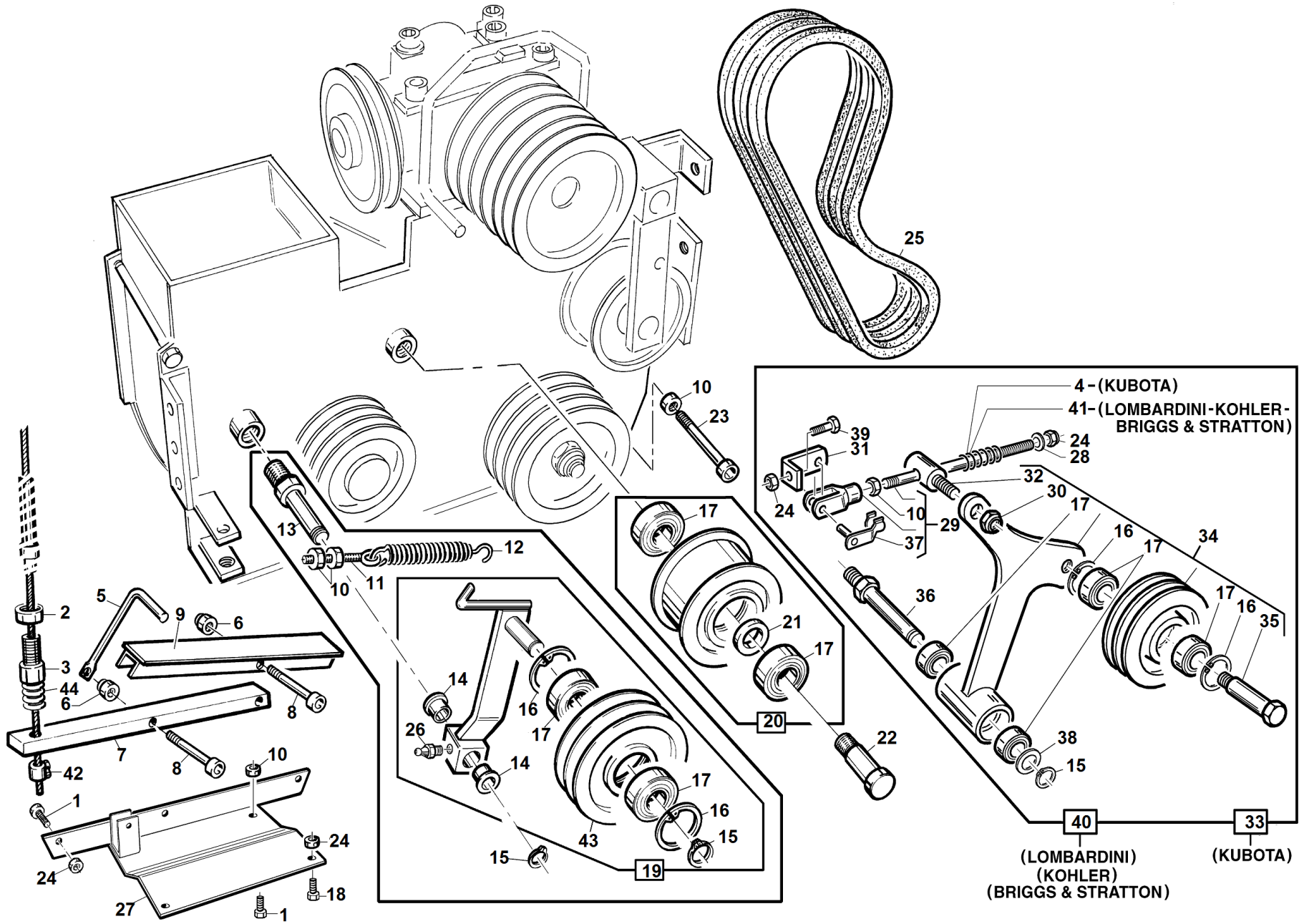
#	P/N	DESCRIPTION	PG/SR
1	95042000013	HAND BRAKE CABLE	
2	95029000016	BRAKE RECOVERY SPRING	
3	00111990022	RIGHT CALIPER	
4	00111450005	SCREW/W M6X16	
5	95042200005	FLAT IRON FOR BRAKE CALIPER	
6	00111000094	SCREW TE M8X40	
7	95042200004	BRAKE DISC HUB	
8	00111990023	BRAKE DISK D.160	
9	00111000184	SCREW TE M5X10	
10	00777600021	BDU 10L-222	
11	95042200003	CENTERING RING	
12	00111900012	TONGUE A 5X5X16	
13	00111900011	TONGUE 5X5X30	
14	00111000129	SCREW UNI 5737	
15	00111300034	SCREW TE M8X115	
16	95042200006	PIPE-FITTING 7/8 X 3/8	
17	PZ95049141400	PULLEY FLANGE FIXING	
18	95042200007	PIPE-FITTING 7/16X3/8	
19	00777600052	BDU ASPIRATION HOSE	
20	95042380006	HOSE R1T L=216	
21	95042380005	HOSE L=260	
22	00777600080	ADAPTER 90°GAS M+FG 3/8	
23	00111000093	SCREW TE M8X20	
24	00111000095	SELF BLO. NUT M8	
25	00777600022	LEVER BDU 321	
26	95042200002	ACCELERATOR LEVER	
27	00777600023	GRUB LEVER BDU	
28	PC95042290000	AIR CONVEYOR	
29	95042000007	COPPER SERPENTINE 12X1	
30	00111450003	SCREW WASHER M8X20	
31	00111300011	SCREW TE M6X20	
32	00111000037	WASHER 6.6X18X2	
33	00111000166	SELF BL. SCREW M6	
34	PZ95042000006	PLATE SUPPORT	
36	00111000071	SELF BLO. NUT M8	
37	00111250012	SELF BL. NUT METB 5MA	
38	00111400028	ALLEN SCREW M5X14	
39	95049141201	FAN 7CW265	
40	00111970056	OIL TANK PLUG	
41	00111970094	COMPLETE OIL TANK	
42	00777600003	WASHER COPPER 3/8	
43	00777600015	NIPPLE 3/8	
45	00111960003	GRUB M6X10	
46	95042201200	PULLEY D.98.5 PETROL	
47	00111000183	SELF BL. NUT M5	
48	00777600054	OGIVE 12L 100107	
49	95049141300	PULLEY D.101 DIESEL	
50	PZ95029000020	PLATE SUPPORT M.	
51	00777800023	PUSH BUTTON 15117000	
52	00111300019	SCREW TE M4X20	
53	00111500010	WASHER 4.3X9X0.8	
54	00111250006	SELF BL. NUT M4	
55	00111450001	SCREW WASHER M8X25	
56	00111450002	SCREW WASHER M8X30	
57	00777600053	NUT 12 L CODE 100207	
59	00111000155	NUT M6	
60	95599630000	GEAR BOX SEAL KIT BDU 10L-222	
61	95598640000	KIT OIL TANK FILTER	



#	P/N	DESCRIPTION	PG/SR
1	00777250003	SEAL WASHER BA 30X47X7	
2	00777100014	KOYO BEARING 6006 30X55X13	
3	00777304602	HOLLOW SHAFT	
4	00777304603	PINION SHAFT Z=29	
5	00777100015	KOYO BEARING 6005 25X47X12	
6	00777301004	PINION SHAFT Z15	
7	00111300015	SCREW TE M8X55	
8	00777301005	SPACER	
9	00777301001	DIFFERENTIAL	
10	00777301006	SPLINED BUSHING	
11	00777301007	PINION SHAFT Z13	
12	00777100016	KOYO BEARING 6203 17x40x12	
13	00777301008	FLAT COVER	
14	00777250005	SEAL WASHER BASL 30X52X7	
15	95599370000	COMPLETE AXLE SHAFT	
16	00777100017	KOYO BEARING 6205	
17	00777301010	CROWN Z69	
18	00111650008	SNAP RING D.24 E	
19	00777301011	RUNNER	
20	00111150003	NUT M8	
21	00111960004	GRUB M8X20	
22	00777301012	DIFFERENTIAL LEVER	
23	00777230001	OR RING 112	
24	00111870004	PIN A 6X14	
25	00111000094	SCREW TE M8X40	
26	00777305702	RIGHT HALF GEAR CASE	
27	00111000093	SCREW TE M8X20	
28	00111990099	COVER FOR OIL EXHAUST 3/8"	
29	00111990002	LEVEL WITHTROL SIDE DISCHARGE	
30	00777305703	LEFT HALF GEAR CASE	
31	00777301015	EXTENSION	
32	00777270001	CLOSED CAP 62X7	
33	00777305701	LEFT GEAR CASE	
34	00111990004	PIPE-FITTING A 90°	
35	00111990003	COVER VENTILATION 1/2 GAS	
36	95001100000	OUTER DIFF. LOCK LEVER	
37	00111700006	PIN EL D.6X28	
38	95001000021	DIFF. BLOCK. CABLE	
39	95001000050	SPRING DIFF. LOCK	
40	00777270007	CLOSED CAP 42X7	
41	00111990102	LITTLE COLUMN M12x1.5x35	
99	00777305700	GEAR BOX SET	

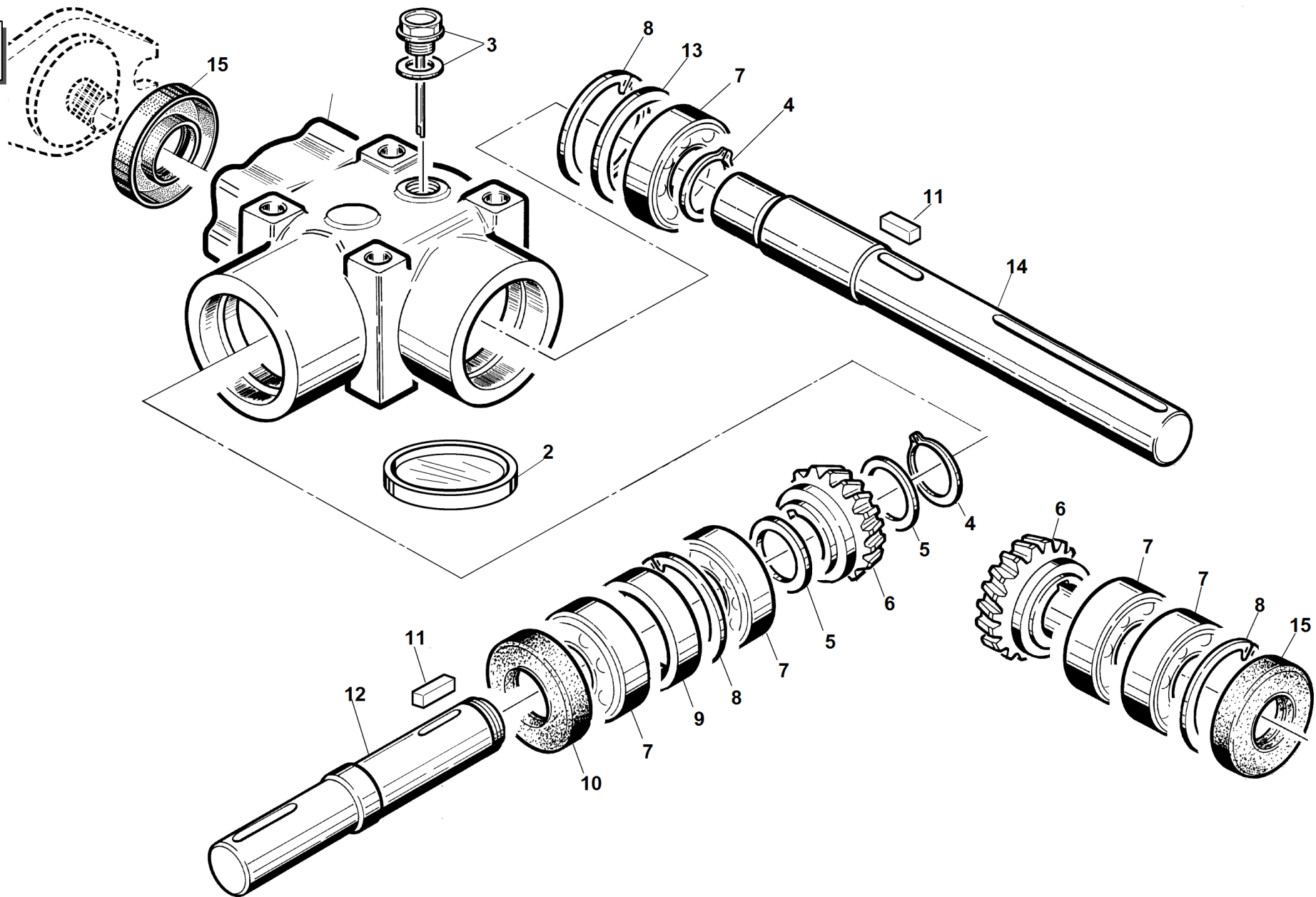


#	P/N	DESCRIPTION	PG/SR
1	00111400007	ALLEN SCREW M10X95	
2	00111500001	WASHER 10.5X21X2	
3	00111450003	SCREW WASHER M8X20	
4	PZ95042220000	STOP BELT COMPL.	
5	PZ95042212000	COMPLETE CYLINDER SUPP.	
6	95042400000	HYDRAULIC CYLINDER	
7	PZ95049391200	TURBINE CIRCULA BAND D=300	
8	00111900001	TONGUE A 6X6X25	
9	00777305100	GEAR BOX 3 OUTPUT WITH PUMP SUPPORT	
10	00111960002	GRUB M8X16	
11	95049150001	DIESEL PULLEY 5 RACES	
12	00111960003	GRUB M6X10	
13	95049151100	PULLEY D.101 DIESEL	
14	00111700006	PIN EL D.6X28	
15	PZ95029400000	PTO THIGHTENER LEVER	
16	95029000022	TRACTION DISC SPRING	
17	95049390001	PIN	
18	95001000060	BRASS BUSHING	
19	95049391600	PTO TIGHTENER BELT LEVER	
20	00111000155	NUT M6	
21	00111000061	WASHER 8.4X24X2	
22	95001000031	PTO CLUTCH SPRING	
23	95049000024	CHIMNEY WASHER	
24	00111000071	SELF BLO. NUT M8	
25	00111300052	SCREW TE UNI 5739	
26	PV95049391000	SUPPORT TURBINE D=300 PLATE	
27	00777100005	KOYO BEARING 6202 2RS	
28	95029220000	ASSEMBLED PDP TIGHTENER PULLEY	
29	95029000023	SPACER 15,5x20x12,2	
30	95029000011	THREADED SHAFT M14X1,5	
31	00111250003	SELF BL. NUT M16	
32	95049150002	DIESEL PTO PULLEY 3 RACES	
33	00777100020	KOYO BEARING 6204 2RS	
34	00111000174	TONGUE A 6X6X30	
35	95029231100	PTO SUPPORT TUBE	
36	95001000005	PTO SHAFT	
37	00111000057	SNAP RING D.20 E	
38	95029000010	TURBINE PULLEY 3 RACES	
39	95029100001	TURBINE D=240 HUB	
40	00111350012	SCREW TSPEI M8X18	
41	00111000076	SCREW TE M10X25	
42	00111250004	SELF BL. NUT M10	
44	00111250007	SELF BL. NUT M20X1.5	
45	00111000095	SELF BLO. NUT M8	
46	PV95049391100	TURBINE FRONTAL PLATE	
47	95001000066	PULLEY LOCK RING	
48	95049150003	TURBINE SHAFT	
49	PZ95049391300	TURBINE WHEEL D=300	
50	00111980009	BELT PIR. AX39,5	
51	00777200011	ARTICULATION HEAD CF8 M8x1	
52	00777200012	ROUND JOINT M8X1	
53	00111000036	GREASER M6	
54	95042210001	PETROL PULLEY 5 RACES	
55	95042211100	PULLEY	
56	95532000019	SPACER 20,2X26 L=38	
57	00111250014	SELF BL. NUT M8	

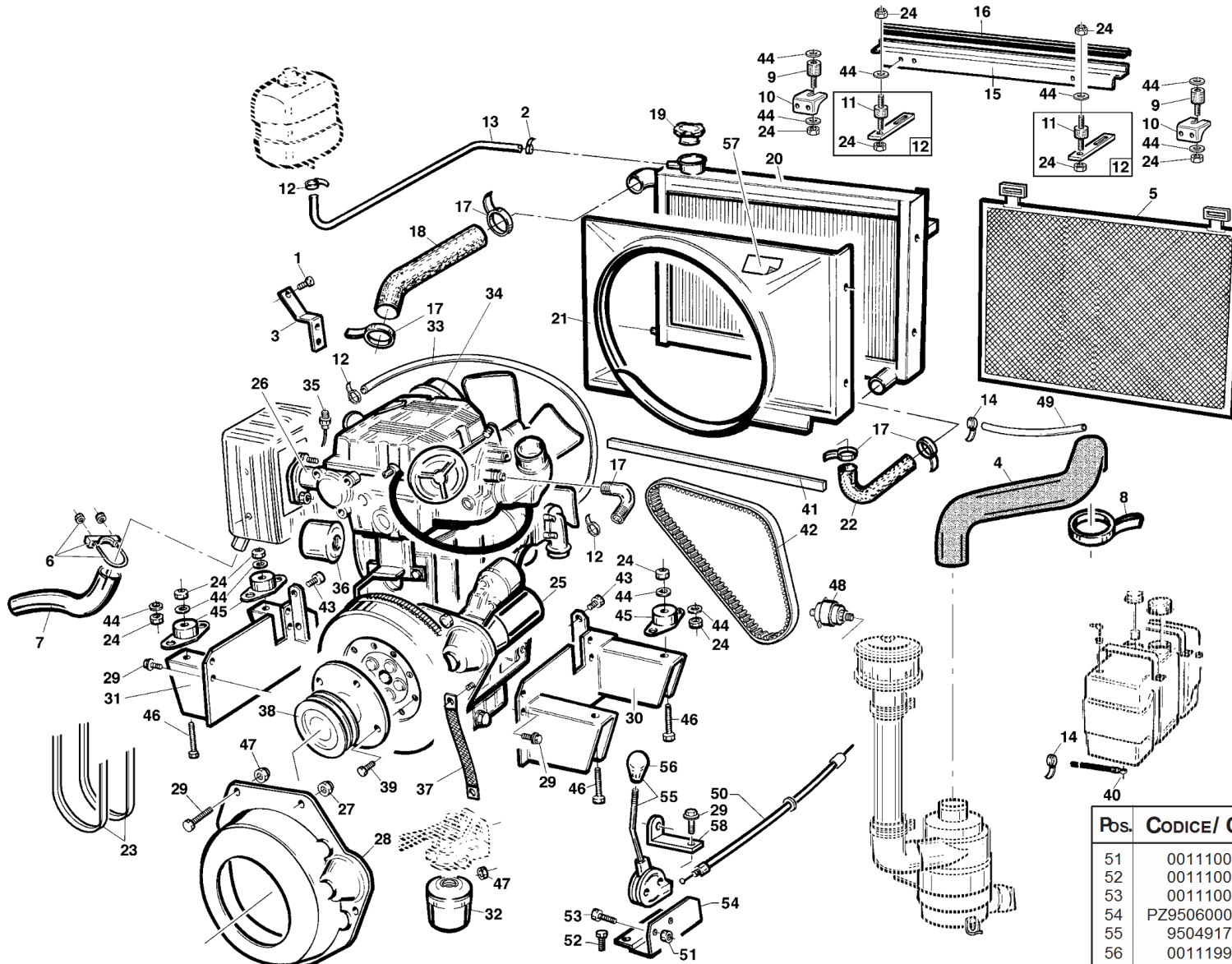


#	P/N	DESCRIPTION	PG/SR
1	00111450002	SCREW WASHER M8X30	
2	00111150002	NUT M10 6S ZNT	
3	95001000046	SPRING REGISTER	
4	95201000006	BELTS ENGINE SPRING	
5	PZ95001000061	BELTS CHECK DRILL ROD	
6	00111000183	SELF BL. NUT M5	
7	95001000045	LEVER BRAKE BELT	
8	00111400005	ALLEN SCREW M5x40	
9	PZ95001520000	RUNNER COMPLETE	
10	00111000082	NUT M8	
11	00111990024	METAL EYELET M8 RIGHT	
12	95049000028	TRACTION SPRING	
13	95500150006	TIGHTENER STOP PIN	
14	95001000060	BRASS BUSHING	
15	00111650004	SNAP RING D.15 E	
16	00111650005	SNAP RING D.35 I	
17	00777100005	KOYO BEARING 6202 2RS	
18	00111300008	SCREW TE M8X25	
19	95049391500	ENGINE BELT TIGHTENER TURRB. D=300	
20	95029220000	ASSEMBLED PDP TIGHTENER PULLEY	
21	95029000023	SPACER 15,5x20x12,2	
22	95029000012	THREADED SHAFT M14X1,5 LEFT	
23	00111400006	ALLEN SCREW M8X80	
24	00111000071	SELF BLO. NUT M8	
25	00111980017	BELT GATES POWERATED 6847	
26	00111000036	GREASER M6	
27	PC95049391700	BELT SUPPORT D=300	
28	00111000061	WASHER 8.4X24X2	
29	94500730000	LEVER STAFF BELT TIGHTENER	
30	00111000080	SELF BLO. SCREW M10	
31	95200000003	BELT TIGHTENER ANGLE ROD	
32	94010820000	SPRING TENSION DRILL ROD	
33	95599260000	PG KUBOTA ENGINE TIGHTENER KIT	
34	95049392100	BELT TIGHTENER TURB.D=300	
35	95049392101	THREATED SHAFT M14X1,5	
36	95049390002	BELT-TIGHTENER ENGINE SHAFT	
37	00111000194	FORKED PIN D.8	
38	00111500004	WASHER 15,2X28X2.5	
39	00111450001	SCREW WASHER M8X25	
40	95599300000	PG ENGINE TIGHTENER KIT	
41	95200000002	ENGINE BELT TIGHTENER SPRING	
42	95001000020	BELT BRAKE CABLE	
43	95001000073	ENGINE COUPLING PULLEY	
44	95001000049	SPRING BRAKE BELT	

PG/SR



#	P/N	DESCRIPTION	PG/SR
2	00777270001	CLOSED CAP 62X7	
3	00111990005	COVER FILLING LEVEL 3/8	
4	00111000057	SNAP RING D.20 E	
5	95598270000	SPACER KIT 20X28	
6	00777306000	ELIC. BEVEL GEAR PAIR	
7	00777100019	KOYO BEARING 6304 SKF	
8	00111650009	SNAP RING D.52 I	
9	00777305103	SPACER 39.2X51.5 L=10.25	
10	00777250006	SEAL WASHER AS 25X52X7	
11	00111900018	TONGUE B6X6X16	
12	00777304701	OUTPUT SHAFT	
13	95598280000	SPACER KIT 42X52	
14	00777305102	PUMP CLUTCH TRANSMISSION SHAFT	
15	00777250007	SEAL WASHER AS 20X52X10	
99	00777305100	GEAR BOX 3 OUTPUT WITH PUMP SUPPORT	



Tav. 12 **PG / SR** 180 LOMBARDINI **10/01/2005** **Cod.** 00555991721

Pbs	CODICE/ CODE
01	00111450005
02	00111810015
03	PZ95049103000
04	00111970117
05	95202120000
06	00111810019
07	95049450000
08	00111810012
09	00111970096
10	PZ95500151100
11	00111970099
12	95049320000
13	95049000008
14	00111810010
15	95049000031
16	95049000020
17	00111990072
18	95049100006
19	95049230001
20	95049230000
21	95049000032
22	95049100005
23	00111980021
24	00111000071
25	00777800072
26	00111990041
27	00111150002
28	95049100009
29	00111450003
30	PC95049102000
31	PC95049101000
32	00777650024
33	95049100002
34	00777700018
35	00777800128
36	00777650023
37	00777800052
38	95049100001
39	00111000046
40	95049100007
41	95049000018
42	00111980012
43	00111400023
44	00111000061
45	00111970050
46	00111000031
47	00111000095
48	00777650022
49	95049000016
50	95060000008
51	00111000166
52	00111000059
53	00111000014
54	PZ95060000003
55	95049171000
56	00111990034
57	00555200115
58	PZ95514111301

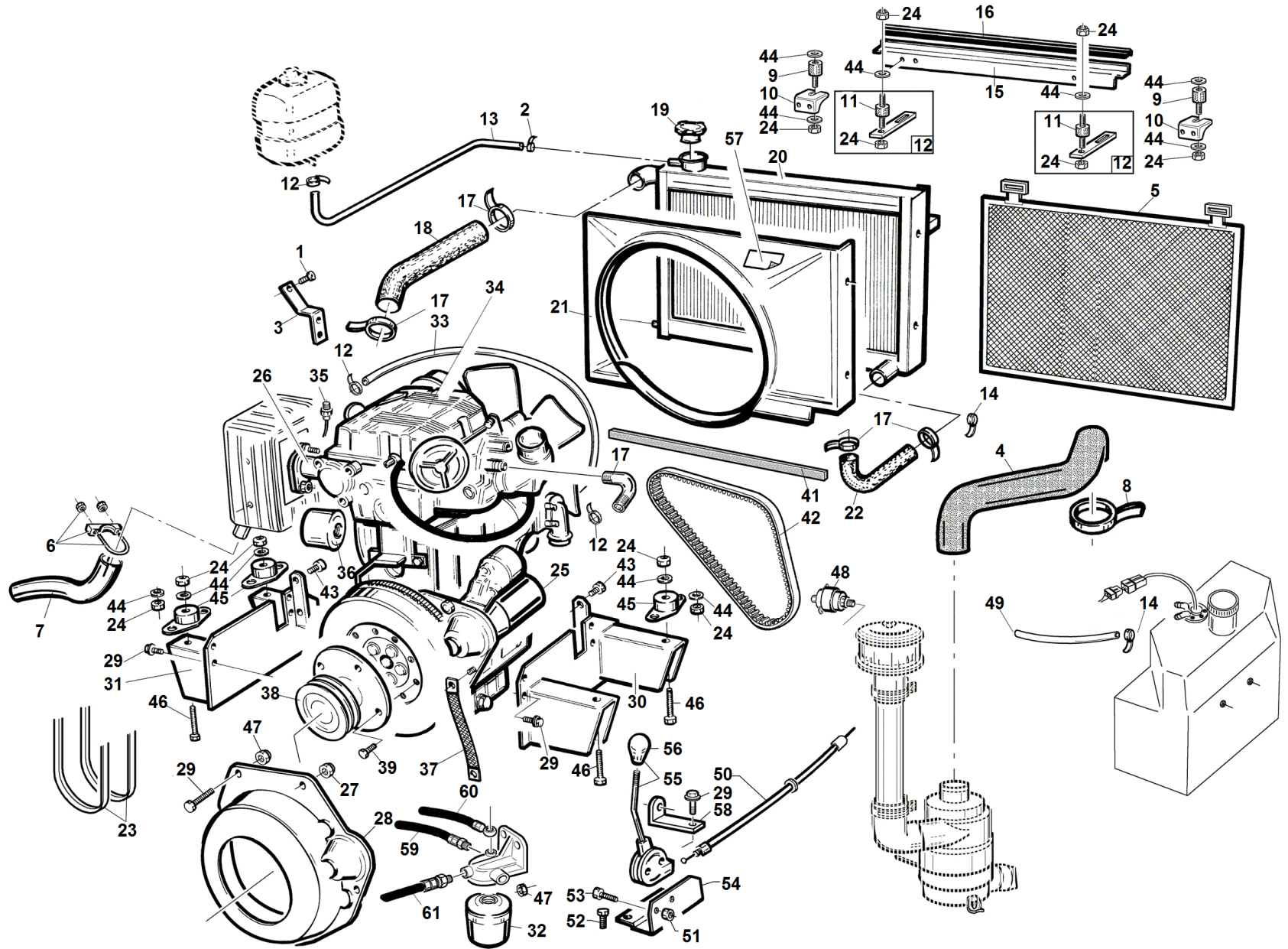
Pbs.	CODICE/ CODE
51	00111000166
52	00111000059
53	00111000014
54	PZ95060000003
55	95049171000
56	00111990034
57	00555200115
58	PZ95514111301

#

P/N

DESCRIPTION

REF. 12



S/N

→05346905÷ 06401606←

REF. 12 - 00555991758

#	P/N	DESCRIPTION	PG/SR	REF. 12 - 00555991758
1	00111450005	SCREW/W M6X16		
2	00111810015	CLAMP		
3	PZ95049103000	COMPLET. EXHAUST PROTECT. FLASK		
4	00111970117	AIR FILTER HOSE		
5	95202120000	RADIATOR CLEANING GRID		
6	00111810019	CLAMP D.35		
7	95049450000	LOMBARDINI EXHAUST END		
8	00111810012	CLAMP 40-60 TYPE NORMA		
9	00111970096	CYL. VIBRATION - DUMPING 30X38 M8X23/10		
10	PZ95500151100	SUPPORT ANGLE BAR		
11	00111970099	CYLINDER VIBRATION - DUMPING M8		
12	95049320000	ASSEMBLED RAIDATOR SUPPORT PLATE		
13	95049000008	TANK CONNECTION HOSE		
14	00111810010	CLAMP 10-16 TYPE NORMA		
15	95049000031	RADIATOR FIXING PLATE		
16	95049000020	WASHER 229/6 L=500		
17	00111990072	PIPE-FITTING BEND 1/8 + M CIL 1/8		
18	95049100006	RADIATOR ENTRY HOSE		
19	95049230001	RADIATORE CAP 1/BAR		
20	95049230000	DIESEL RADIATOR		
21	95049000032	AIR DIESEL CONVEYOR		
22	95049100005	RADIATOR OUTGOING HOSE		
23	00111980021	DAYCO BELT SPAX 832		
24	00111000071	SELF BLO. NUT M8		
25	00777800072	LOMBARD. SHIELDED STARTING MOTOR		
26	00111990041	DIESEL MUFFLER COLLECTOR		
27	00111150002	NUT M10 6S ZNT		
28	95049100009	FLYWHEEL PROTECTION PLAY IDRO D		
29	00111450003	SCREW WASHER M8X20		
30	PC95049102000	LEFT ENGINE SUPPORT		
31	PC95049101000	RIGHT ENGINE SUPPORT		
32	00777650024	LOMBARDINI FUEL FILTER		
33	95049100002	RADIAT. COUPLING HOSE L=700		
34	00777700018	LOMBARDINI ENGINE LDW 702		
35	00777800128	WATER TEMPERATURE SENSOR		
36	00777650023	LOMBARDINI ENGINE OIL FILTER		
37	00777800052	WEIGHT PLATE mm.210		
38	95049100001	PULLEY DIESEL ENGINE		
39	00111000046	SCREW TE M10X20 8.8 ZNT		
41	95049000018	AIR STOP 20X5 L=400		
42	00111980012	BELT DIESEL ENGINE		
43	00111400023	ALLEN SCREW M12X20		
44	00111000061	WASHER 8.4X24X2		
45	00111970050	ENGINE VIBRATIONS-DUMPING BLOCK		
46	00111000031	SCREW TE M8X65		
47	00111000095	SELF BLO. NUT M8		
48	00777650022	CLOGGING VALVE F/A		
49	95202000002	DIESEL INTAKE TUBE		
50	95060000008	DIESEL ACCELERATOR CABLE		
51	00111000166	SELF BL. SCREW M6		
52	00111000059	FAKE SCREW/WASH. M8X14		
53	00111000014	SCREW TSPEI M6X16		
54	PZ95060000003	DIESEL ACCEL.SUPPORT		
55	95049171000	DIESEL ACCELERATOR LEVER COMPL.		
56	00111990034	ROUND KNOB M8		
57	00555200115	ENGINE FAN WARNING STICKER		
58	PZ95514111301	PROTECTION CROWN SUPPORT		
59	95599000027	FILTER IN TUBE		
60	95599000028	FILTER OUT TUBE		

#**P/N****DESCRIPTION****PG/SR****REF. 12 - 0055991758**

61

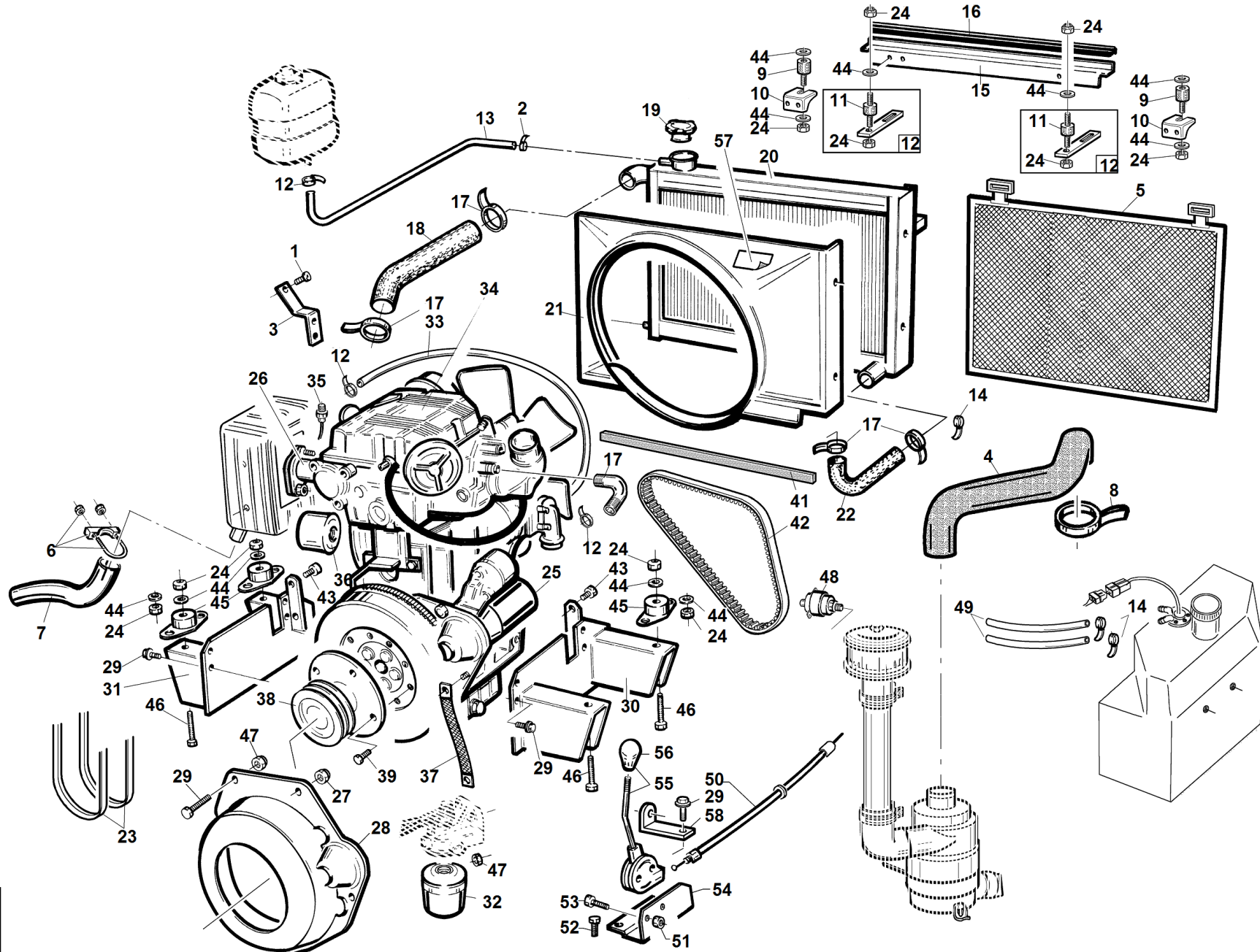
95599000029

DIESEL RECOVERY PIPE

62

95210000011

FUEL RETURN CAP

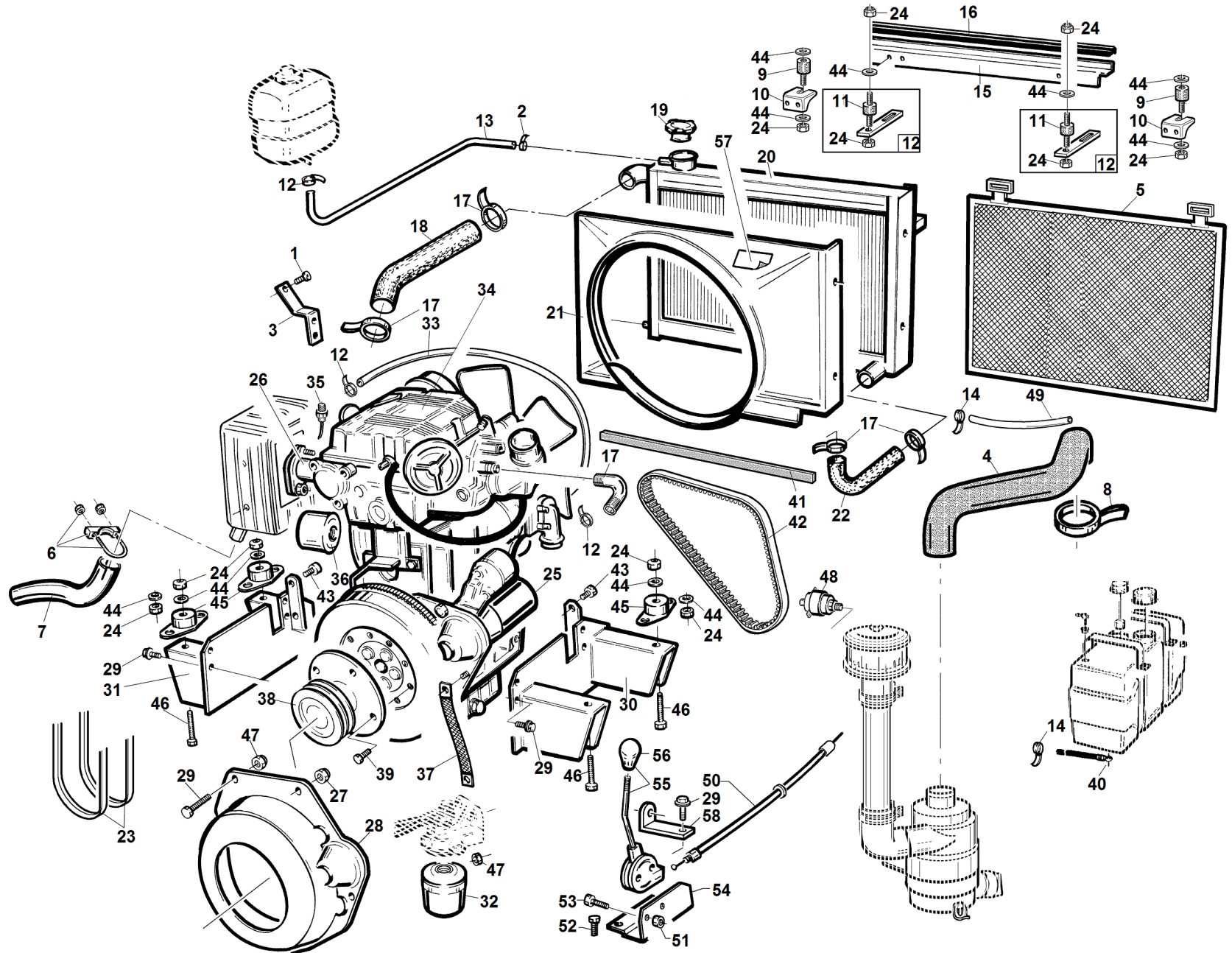


S/N

→04320110÷ 05346805←

REF. 12 - 00555991747

#	P/N	DESCRIPTION	PG/SR	REF. 12 - 00555991747
1	00111450005	SCREW/W M6X16		
2	00111810015	CLAMP		
3	PZ95049103000	COMPLET. EXHAUST PROTECT. FLASK		
4	00111970117	AIR FILTER HOSE		
5	95202120000	RADIATOR CLEANING GRID		
6	00111810019	CLAMP D.35		
7	95049450000	LOMBARDINI EXHAUST END		
8	00111810012	CLAMP 40-60 TYPE NORMA		
9	00111970096	CYL. VIBRATION - DUMPING 30X38 M8X23/10		
10	PZ95500151100	SUPPORT ANGLE BAR		
11	00111970099	CYLINDER VIBRATION - DUMPING M8		
12	95049320000	ASSEMBLED RAIDATOR SUPPORT PLATE		
13	95049000008	TANK CONNECTION HOSE		
14	00111810010	CLAMP 10-16 TYPE NORMA		
15	95049000031	RADIATOR FIXING PLATE		
16	95049000020	WASHER 229/6 L=500		
17	00111990072	PIPE-FITTING BEND 1/8 + M CIL 1/8		
18	95049100006	RADIATOR ENTRY HOSE		
19	95049230001	RADIATORE CAP 1/BAR		
20	95049230000	DIESEL RADIATOR		
21	95049000032	AIR DIESEL CONVEYOR		
22	95049100005	RADIATOR OUTGOING HOSE		
23	00111980021	DAYCO BELT SPAX 832		
24	00111000071	SELF BLO. NUT M8		
25	00777800072	LOMBARD. SHIELDED STARTING MOTOR		
26	00111990041	DIESEL MUFFLER COLLECTOR		
27	00111150002	NUT M10 6S ZNT		
28	95049100009	FLYWHEEL PROTECTION PLAY IDRO D		
29	00111450003	SCREW WASHER M8X20		
30	PC95049102000	LEFT ENGINE SUPPORT		
31	PC95049101000	RIGHT ENGINE SUPPORT		
32	00777650024	LOMBARDINI FUEL FILTER		
33	95049100002	RADIAT. COUPLING HOSE L=700		
34	00777700018	LOMBARDINI ENGINE LDW 702		
35	00777800128	WATER TEMPERATURE SENSOR		
36	00777650023	LOMBARDINI ENGINE OIL FILTER		
37	00777800052	WEIGHT PLATE mm.210		
38	95049100001	PULLEY DIESEL ENGINE		
39	00111000046	SCREW TE M10X20 8.8 ZNT		
41	95049000018	AIR STOP 20X5 L=400		
42	00111980012	BELT DIESEL ENGINE		
43	00111400023	ALLEN SCREW M12X20		
44	00111000061	WASHER 8.4X24X2		
45	00111970050	ENGINE VIBRATIONS-DUMPING BLOCK		
46	00111000031	SCREW TE M8X65		
47	00111000095	SELF BLO. NUT M8		
48	00777650022	CLOGGING VALVE F/A		
49	95202000002	DIESEL INTAKE TUBE		
50	95060000008	DIESEL ACCELERATOR CABLE		
51	00111000166	SELF BL. SCREW M6		
52	00111000059	FAKE SCREW/WASH. M8X14		
53	00111000014	SCREW TSPEI M6X16		
54	PZ95060000003	DIESEL ACCEL.SUPPORT		
55	95049171000	DIESEL ACCELERATOR LEVER COMPL.		
56	00111990034	ROUND KNOB M8		
57	00555200115	ENGINE FAN WARNING STICKER		
58	PZ95514111301	PROTECTION CROWN SUPPORT		

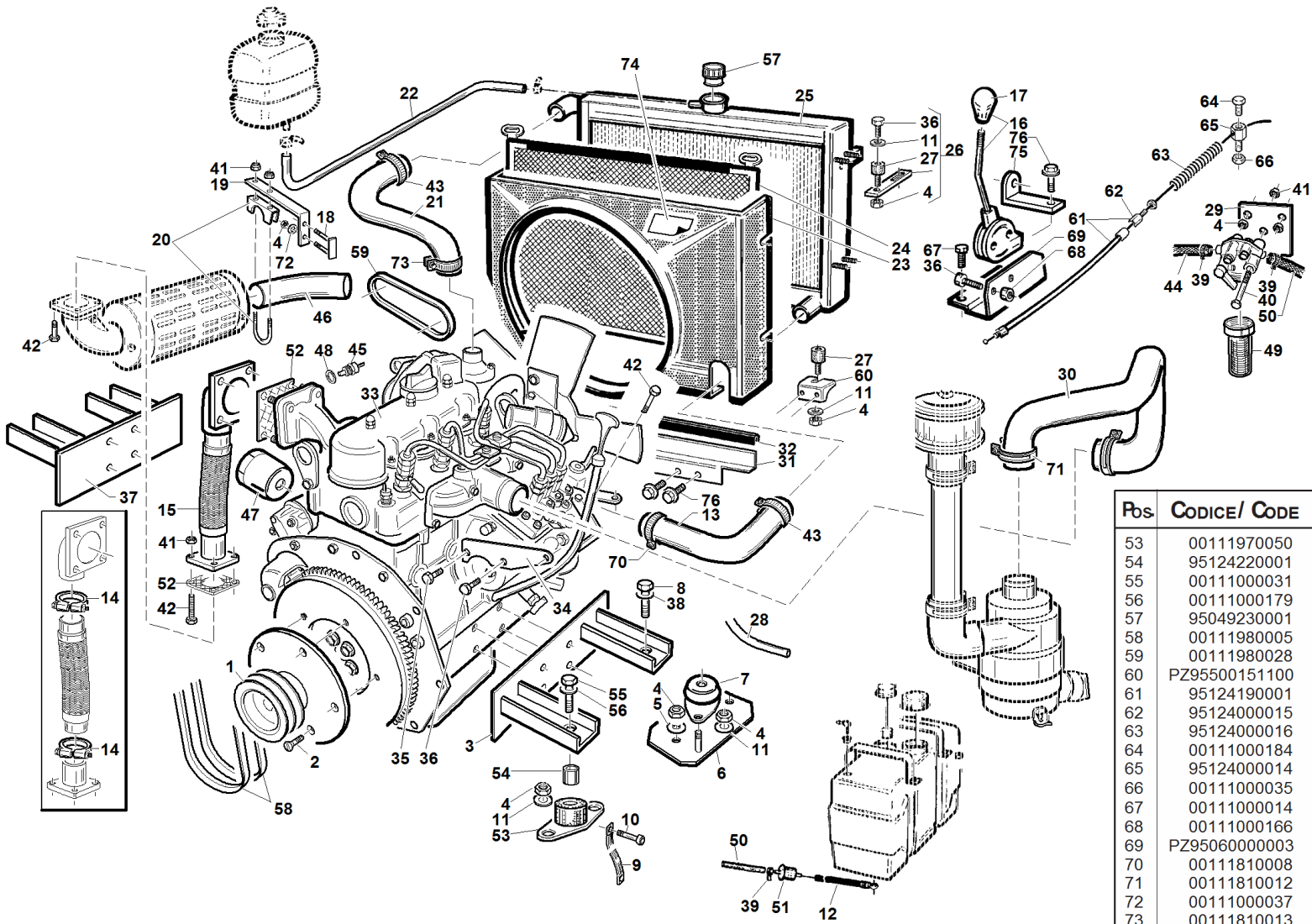


S/N

→03276107÷ 04320010←

REF. 12 - 00555991721

#	P/N	DESCRIPTION	PG/SR	REF. 12 - 00555991721
1	00111450005	SCREW/W M6X16		
2	00111810015	CLAMP		
3	PZ95049103000	COMPLET. EXHAUST PROTECT. FLASK		
4	00111970117	AIR FILTER HOSE		
5	95202120000	RADIATOR CLEANING GRID		
6	00111810019	CLAMP D.35		
7	95049450000	LOMBARDINI EXHAUST END		
8	00111810012	CLAMP 40-60 TYPE NORMA		
9	00111970096	CYL. VIBRATION - DUMPING 30X38 M8X23/10		
10	PZ95500151100	SUPPORT ANGLE BAR		
11	00111970099	CYLINDER VIBRATION - DUMPING M8		
12	95049320000	ASSEMBLED RAIDATOR SUPPORT PLATE		
13	95049000008	TANK CONNECTION HOSE		
14	00111810010	CLAMP 10-16 TYPE NORMA		
15	95049000031	RADIATOR FIXING PLATE		
16	95049000020	WASHER 229/6 L=500		
17	00111990072	PIPE-FITTING BEND 1/8 + M CIL 1/8		
18	95049100006	RADIATOR ENTRY HOSE		
19	95049230001	RADIATORE CAP 1/BAR		
20	95049230000	DIESEL RADIATOR		
21	95049000032	AIR DIESEL CONVEYOR		
22	95049100005	RADIATOR OUTGOING HOSE		
23	00111980021	DAYCO BELT SPAX 832		
24	00111000071	SELF BLO. NUT M8		
25	00777800072	LOMBARD. SHIELDED STARTING MOTOR		
26	00111990041	DIESEL MUFFLER COLLECTOR		
27	00111150002	NUT M10 6S ZNT		
28	95049100009	FLYWHEEL PROTECTION PLAY IDRO D		
29	00111450003	SCREW WASHER M8X20		
30	PC95049102000	LEFT ENGINE SUPPORT		
31	PC95049101000	RIGHT ENGINE SUPPORT		
32	00777650024	LOMBARDINI FUEL FILTER		
33	95049100002	RADIAT. COUPLING HOSE L=700		
34	00777700018	LOMBARDINI ENGINE LDW 702		
35	00777800128	WATER TEMPERATURE SENSOR		
36	00777650023	LOMBARDINI ENGINE OIL FILTER		
37	00777800052	WEIGHT PLATE mm.210		
38	95049100001	PULLEY DIESEL ENGINE		
39	00111000046	SCREW TE M10X20 8.8 ZNT		
40	95049100007	DIESEL ENTRY HOSE L=500		
41	95049000018	AIR STOP 20X5 L=400		
42	00111980012	BELT DIESEL ENGINE		
43	00111400023	ALLEN SCREW M12X20		
44	00111000061	WASHER 8.4X24X2		
45	00111970050	ENGINE VIBRATIONS-DUMPING BLOCK		
46	00111000031	SCREW TE M8X65		
47	00111000095	SELF BLO. NUT M8		
48	00777650022	CLOGGING VALVE F/A		
49	95049000016	DIESEL RECOVERY PIPE L=300		
50	95060000008	DIESEL ACCELERATOR CABLE		
51	00111000166	SELF BL. SCREW M6		
52	00111000059	FAKE SCREW/WASH. M8X14		
53	00111000014	SCREW TSPEI M6X16		
54	PZ95060000003	DIESEL ACCEL.SUPPORT		
55	95049171000	DIESEL ACCELERATOR LEVER COMPL.		
56	00111990034	ROUND KNOB M8		
57	00555200115	ENGINE FAN WARNING STICKER		
58	PZ95514111301	PROTECTION CROWN SUPPORT		



Pbs	CODICE/ CODE
01	9512400003
02	00111000186
03	95124100000
04	00111000071
05	00111000132
06	95124210000
07	00111970104
08	00111300041
09	00777800052
10	00111400031
11	00111000061
12	95124170001
13	95124000013
14	00111810026
15	95201110000
16	95049171000
17	00111990034
18	95124160000
19	95124000008
20	00111810025
21	95124000006
22	95124000017
23	95124000001
24	95201120000
25	95124000002
26	95124230000
27	00111970127
28	95124000019
29	95124000018
30	95124000007
31	PZ95049000002
32	95049000020
33	00777700019
34	95124000009
35	00111000034
36	00111000059
37	95124110000
38	00111550003
39	00111810019
40	00111300025
41	00111250018
42	00111000094
43	00111810009
44	95124000012
45	00777800123
46	00111990079
47	00777650046
48	00777600003
49	00777650047
50	95124000011
51	00777650048
52	00111990086
53	00111970050
54	95124220001
55	00111000031
56	00111000179
57	95049230001
58	00111980005
59	00111980028
60	PZ95500151100
61	95124190001
62	95124000015
63	95124000016
64	00111000184
65	95124000014
66	00111000035
67	00111000014
68	00111000166
69	PZ95060000003
70	00111810008
71	00111810012
72	00111000037
73	00111810013
74	00555200115
75	PZ95514111301
76	00111450003

Tav.	13	PG / SR 200 KUBOT A	10/01/2005	Cod. 00555991722
------	----	---------------------	------------	------------------

#

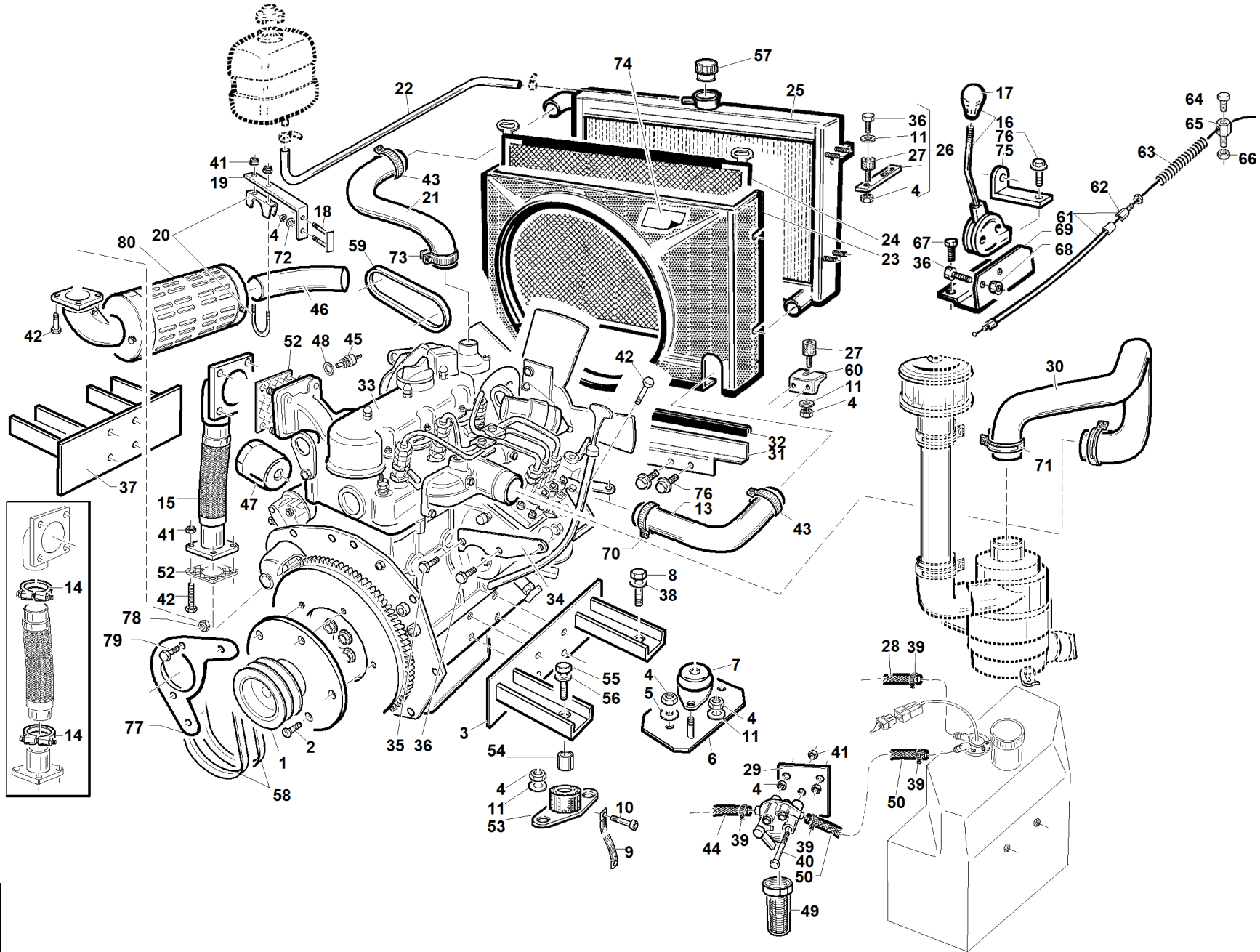
P/N

DESCRIPTION

REF. 13

#	P/N	DESCRIPTION	REF. 13

PG/SR



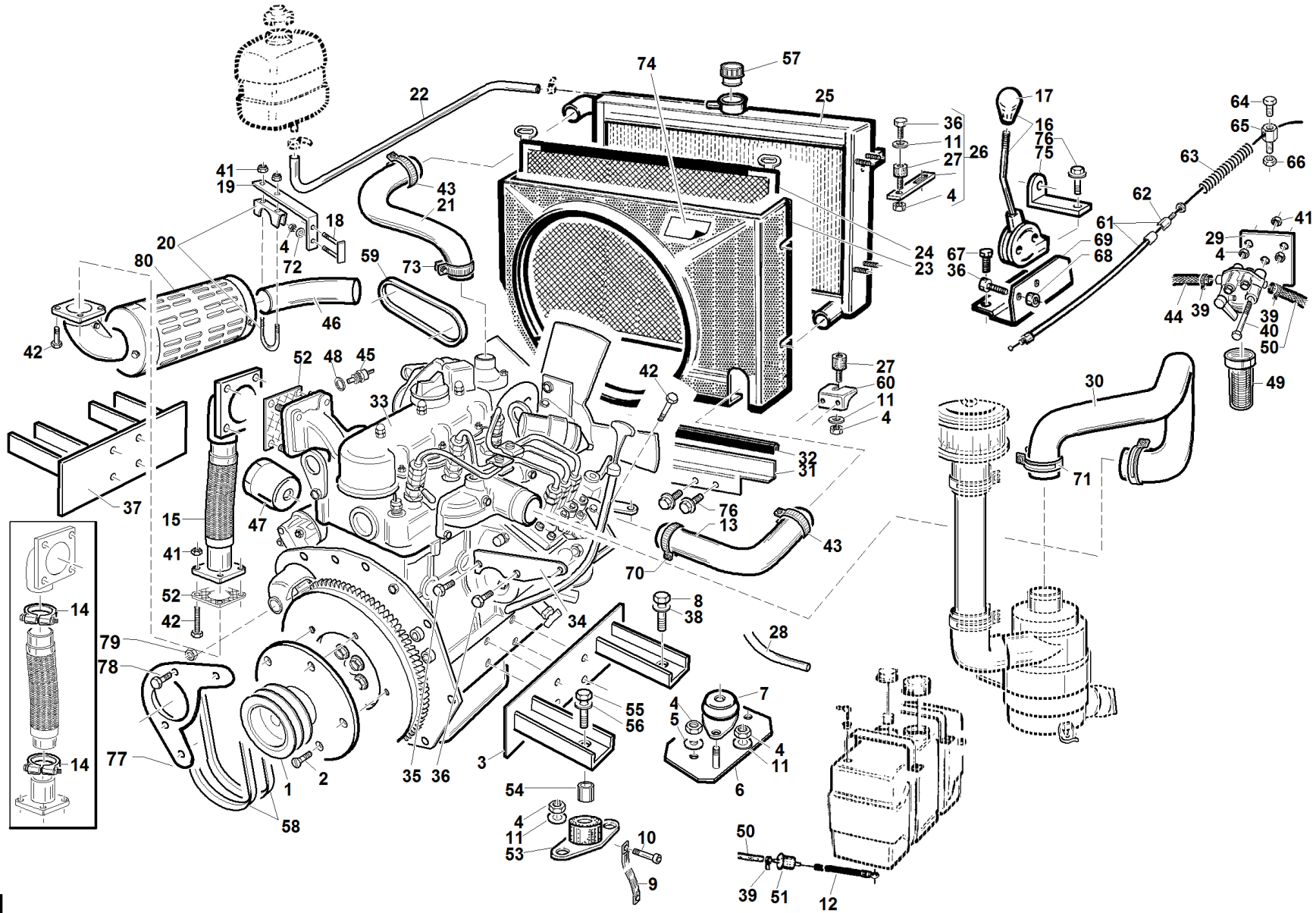
S/N

→04320110÷ 06401606←

REF. 13 - 00555991748

#	P/N	DESCRIPTION	PG/SR	REF. 13 - 00555991748
1	95124000003	KUBOTA ENGINE PULLEY		
2	00111000093	SCREW TE M8X20		
3	95124100000	LEFT ENGINE SUPPORT		
4	00111000071	SELF BLO. NUT M8		
5	00111000132	WASHER P. 8,4X32X2,5 ZNT		
6	95124210000	SUPPORT PLATE		
7	00111970104	VIBRATION-DUMPING ENGINE		
8	00111300041	SCREW UNI 5739		
9	00777800052	WEIGHT PLATE mm.210		
10	00111400031	SCREW TCEI		
11	00111000061	WASHER 8.4X24X2		
13	95124000013	RADIATOR OUTGOING HOSE		
14	00111810026	EXHAUST CLAMP R45		
15	95201110000	FLANGED HOSE		
16	95049171000	DIESEL ACCELERATOR LEVER COMPL.		
17	00111990034	ROUND KNOB M8		
18	95124160000	MUFFLER FIXING PLATE		
19	95124000008	MUFFLER SUPPORT BRACKET		
20	00111810025	EXHAUST CLAMP D=42		
21	95124000006	RADIATOR ENTRY HOSE		
22	95124000017	WATER RECOVERY TANK PIPE		
23	95124000001	KUBOTA AIR CONVEYOR		
24	95201120000	RADIATOR CLEANING GRID		
25	95124000002	KUBOTA RADIATOR		
26	95124230000	KUBOTA RADIATOR SUPPORT PLATE		
27	00111970127	STOPPER M8 D30X20		
28	95201000007	DIESEL INTAKE TUBE		
29	95124000018	DIESEL FILTER SUPPORT		
30	95124000007	KUBOTA AIR FILTER HOSE		
31	PZ95049000002	RADIATOR FIXING PLATE		
32	95049000020	WASHER 229/6 L=500		
33	00777700019	KUBOTA ENGINE 20 HP		
34	95124000009	ACCELERATOR CABLE BRACKET		
35	00111000034	SCREW TE M6X10		
36	00111000059	FAKE SCREW/WASH. M8X14		
37	95124110000	RIGHT ENGINE SUPPORT		
38	00111550003	ELASTIC WASHER M12		
39	00111810010	CLAMP 10-16 TYPE NORMA		
40	00111300025	SCREW TE M6X50		
41	00111000095	SELF BLO. NUT M8		
41	00111250018	NUT "CONEKLOK" M8		
42	00111000094	SCREW TE M8X40		
43	00111810033	CLAMP INOX 25-40		
44	95124000012	DIESEL HOSE L=600		
45	00777800123	WATER TEMPERATURE SENSOR		
46	00111990079	KUBOTA EXHAUST END		
47	00777650046	KUBOTA ENGINE OIL FILTER		
48	00777600003	WASHER COPPER 3/8		
49	00777650047	KUBOTA FUEL FILTER		
50	95201000008	DIESEL RECOVERY PIPE		
52	00111990086	KUBOTA MAINFOLD EXHAUST GASKET		
53	00111970050	ENGINE VIBRATIONS-DUMPING BLOCK		
54	95124220001	SPACER D=25X8 L=27		
55	00111000031	SCREW TE M8X65		
56	00111000179	GROWER WASHER M8		
57	95049230001	RADIATORE CAP 1/BAR		
58	00111980005	BELT SPAX 778		
59	00111980028	BELT KUBOTA		
60	PZ95500151100	SUPPORT ANGLE BAR		

#	P/N	DESCRIPTION	PG/SR
61	95124190001	KUBOTA ACCELERATOR CABLE	
62	95124000015	ACCELERATOR CABLE REGISTER	
63	95124000016	ACCELERATOR RECOVERY SPRING	
64	00111000184	SCREW TE M5X10	
65	95124000014	LOCK ACCELERATOR CABLE	
66	00111000035	SELF BLOC. NUT M6	
67	00111000014	SCREW TSPEI M6X16	
68	00111000166	SELF BL. SCREW M6	
69	PZ95060000003	DIESEL ACCEL.SUPPORT	
70	00111810008	CLAMP 12-20 TYPE NORMA	
71	00111810010	CLAMP 10-16 TYPE NORMA	
72	00111000037	WASHER 6.6X18X2	
73	00111810013	CLAMP 20-32 TYPE NORMA	
74	00555200115	ENGINE FAN WARNING STICKER	
75	PZ95514111301	PROTECTION CROWN SUPPORT	
76	00111450003	SCREW WASHER M8X20	
77	95309000005	KUBOTA RENFORCEMENT PLATE	
78	00111250014	SELF BL. NUT M8	
79	00111300060	SCREW	
80	00111990077	KUBOTA EXHAUST KIT	



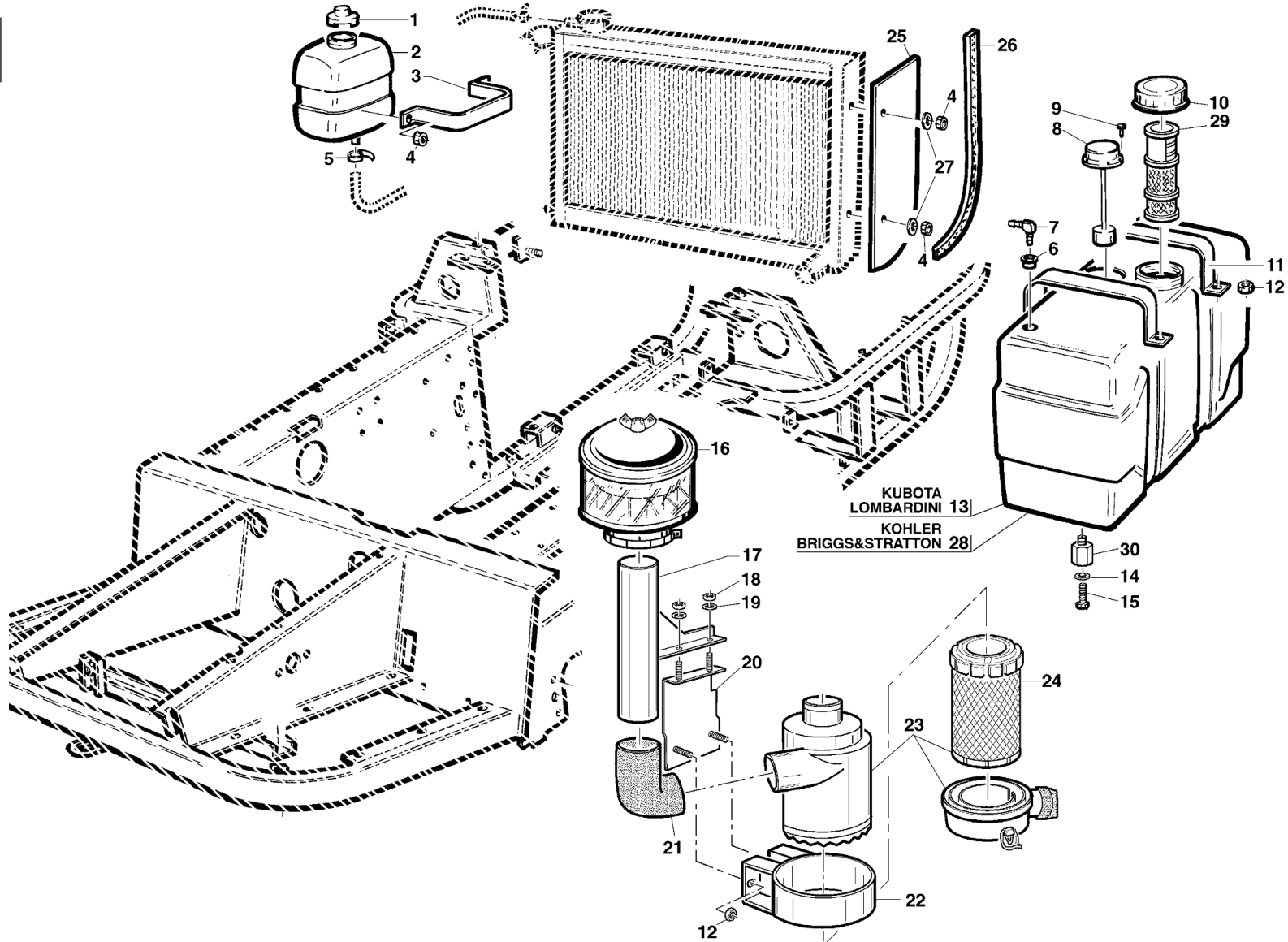
S/N

→03276107÷ 04320010←

REF. 13 - 00555991722

#	P/N	DESCRIPTION	PG/SR
1	95124000003	KUBOTA ENGINE PULLEY	
2	00111000186	SCREW TSPEI M8X20	
3	95124100000	LEFT ENGINE SUPPORT	
4	00111000071	SELF BLO. NUT M8	
5	00111000132	WASHER P. 8,4X32X2,5 ZNT	
6	95124210000	SUPPORT PLATE	
7	00111970104	VIBRATION-DUMPING ENGINE	
8	00111300041	SCREW UNI 5739	
9	00777800052	WEIGHT PLATE mm.210	
10	00111400031	SCREW TCEI	
11	00111000061	WASHER 8.4X24X2	
12	95124170001	DIESEL ENTRY HOSE L=160	
13	95124000013	RADIATOR OUTGOING HOSE	
14	00111810026	EXHAUST CLAMP R45	
15	95201110000	FLANGED HOSE	
16	95049171000	DIESEL ACCELERATOR LEVER COMPL.	
17	00111990034	ROUND KNOB M8	
18	95124160000	MUFFLER FIXING PLATE	
19	95124000008	MUFFLER SUPPORT BRACKET	
20	00111810025	EXHAUST CLAMP D=42	
21	95124000006	RADIATOR ENTRY HOSE	
22	95124000017	WATER RECOVERY TANK PIPE	
23	95124000001	KUBOTA AIR CONVEYOR	
24	95201120000	RADIATOR CLEANING GRID	
25	95124000002	KUBOTA RADIATOR	
26	95124230000	KUBOTA RADIATOR SUPPORT PLATE	
27	00111970127	STOPPER M8 D30X20	
28	95124000019	DIESEL RECOVERY PIPE L=730	
29	95124000018	DIESEL FILTER SUPPORT	
30	95124000007	KUBOTA AIR FILTER HOSE	
31	PZ95049000002	RADIATOR FIXING PLATE	
32	95049000020	WASHER 229/6 L=500	
33	00777700019	KUBOTA ENGINE 20 HP	
34	95124000009	ACCELERATOR CABLE BRACKET	
35	00111000034	SCREW TE M6X10	
36	00111000059	FAKE SCREW/WASH. M8X14	
37	95124110000	RIGHT ENGINE SUPPORT	
38	00111550003	ELASTIC WASHER M12	
39	00111810019	CLAMP D.35	
40	00111300025	SCREW TE M6X50	
41	00111000095	SELF BLO. NUT M8	
41	00111250018	NUT "CONEKLOK" M8	
42	00111000094	SCREW TE M8X40	
43	00111810033	CLAMP INOX 25-40	
44	95124000012	DIESEL HOSE L=600	
45	00777800123	WATER TEMPERATURE SENSOR	
46	00111990079	KUBOTA EXHAUST END	
47	00777650046	KUBOTA ENGINE OIL FILTER	
48	00777600003	WASHER COPPER 3/8	
49	00777650047	KUBOTA FUEL FILTER	
50	95124000011	DIESEL HOSE L=270	
51	00777650048	FUEL FILTER	
52	00111990086	KUBOTA MAINFOLD EXHAUST GASKET	
53	00111970050	ENGINE VIBRATIONS-DUMPING BLOCK	
54	95124220001	SPACER D=25X8 L=27	
55	00111000031	SCREW TE M8X65	
56	00111000179	GROWER WASHER M8	
57	95049230001	RADIATORE CAP 1/BAR	
58	00111980005	BELT SPAX 778	

#	P/N	DESCRIPTION	PG/SR
59	00111980028	BELT KUBOTA	
60	PZ95500151100	SUPPORT ANGLE BAR	
61	95124190001	KUBOTA ACCELERATOR CABLE	
62	95124000015	ACCELERATOR CABLE REGISTER	
63	95124000016	ACCELERATOR RECOVERY SPRING	
64	00111000184	SCREW TE M5X10	
65	95124000014	LOCK ACCELERATOR CABLE	
66	00111000035	SELF BLOC. NUT M6	
67	00111000014	SCREW TSPEI M6X16	
68	00111000166	SELF BL. SCREW M6	
69	PZ95060000003	DIESEL ACCEL.SUPPORT	
70	00111810008	CLAMP 12-20 TYPE NORMA	
71	00111810010	CLAMP 10-16 TYPE NORMA	
72	00111000037	WASHER 6.6X18X2	
73	00111810013	CLAMP 20-32 TYPE NORMA	
74	00555200115	ENGINE FAN WARNING STICKER	
75	PZ95514111301	PROTECTION CROWN SUPPORT	
76	00111450003	SCREW WASHER M8X20	
77	95309000005	KUBOTA RENFORCEMENT PLATE	
79	00111250014	SELF BL. NUT M8	
78	00111300060	SCREW	
80	00111990077	KUBOTA EXHAUST KIT	
3536	00111810033	CLAMP INOX 25-40	



Pos	CODICE/ CODE
01	00111970061
02	00111970060
03	PZ95049000013
04	00111000166
05	00111810008
06	00111970070
07	00111970069
08	00111350009
09	00777800051
10	00111970155
11	PZ95049000009
12	00111000071
13	95599000023
14	00777600045
15	00777600026
16	00777650027
17	95049420000
18	00111000082
19	00111000087
20	95049430000
21	00111970116
22	00777650043
23	00777650041
24	00777650042
25	PC95049000011
26	95049000021
27	00111000037
28	00111970059
29	00111970052
30	00777600098

Tav.	14	PG / SR 180 - 200	10/01/2005	Cod. 00555991723
------	----	-------------------	------------	------------------

#

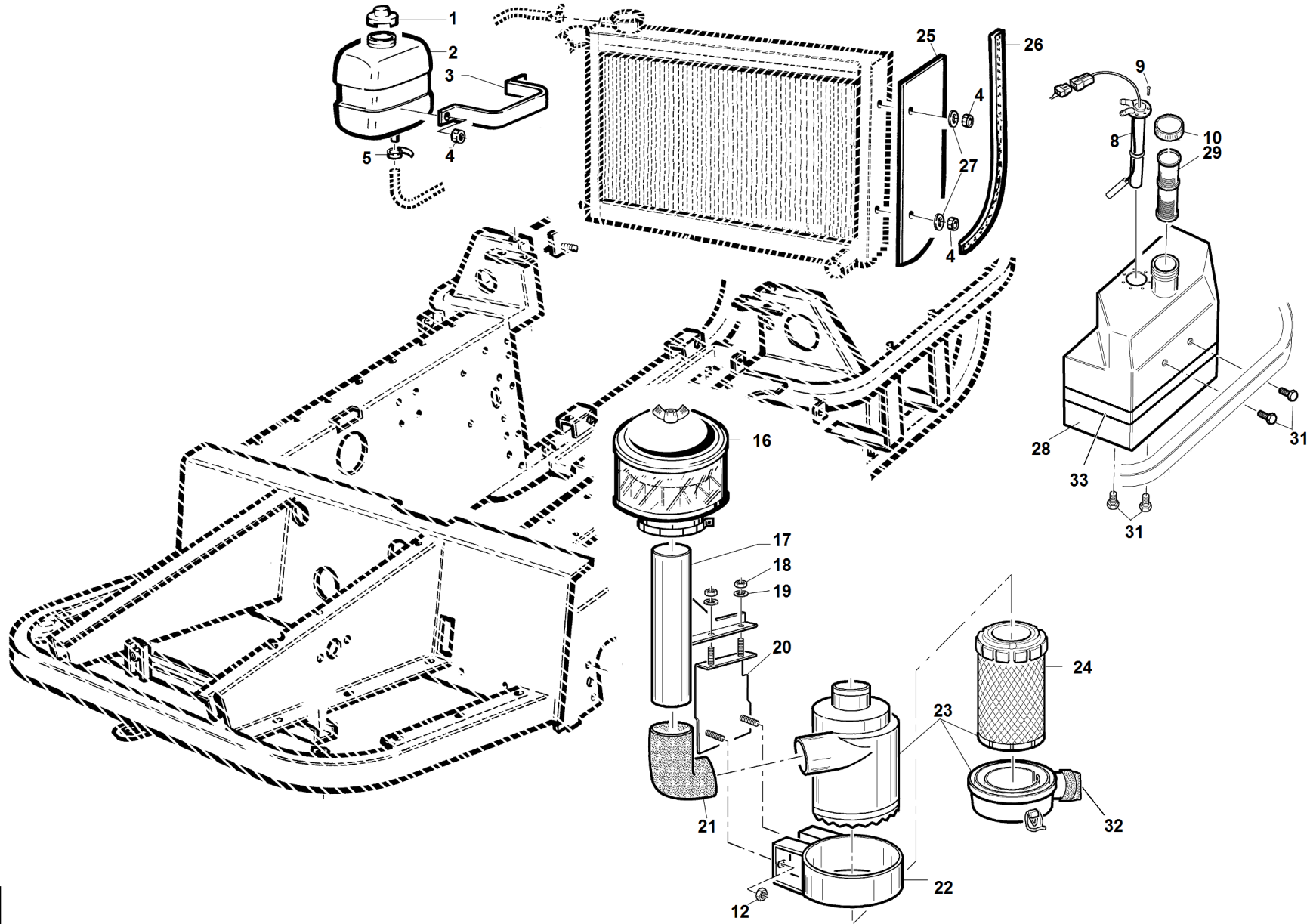
P/N

DESCRIPTION

REF. 14

#	P/N	DESCRIPTION	REF. 14

PG/SR



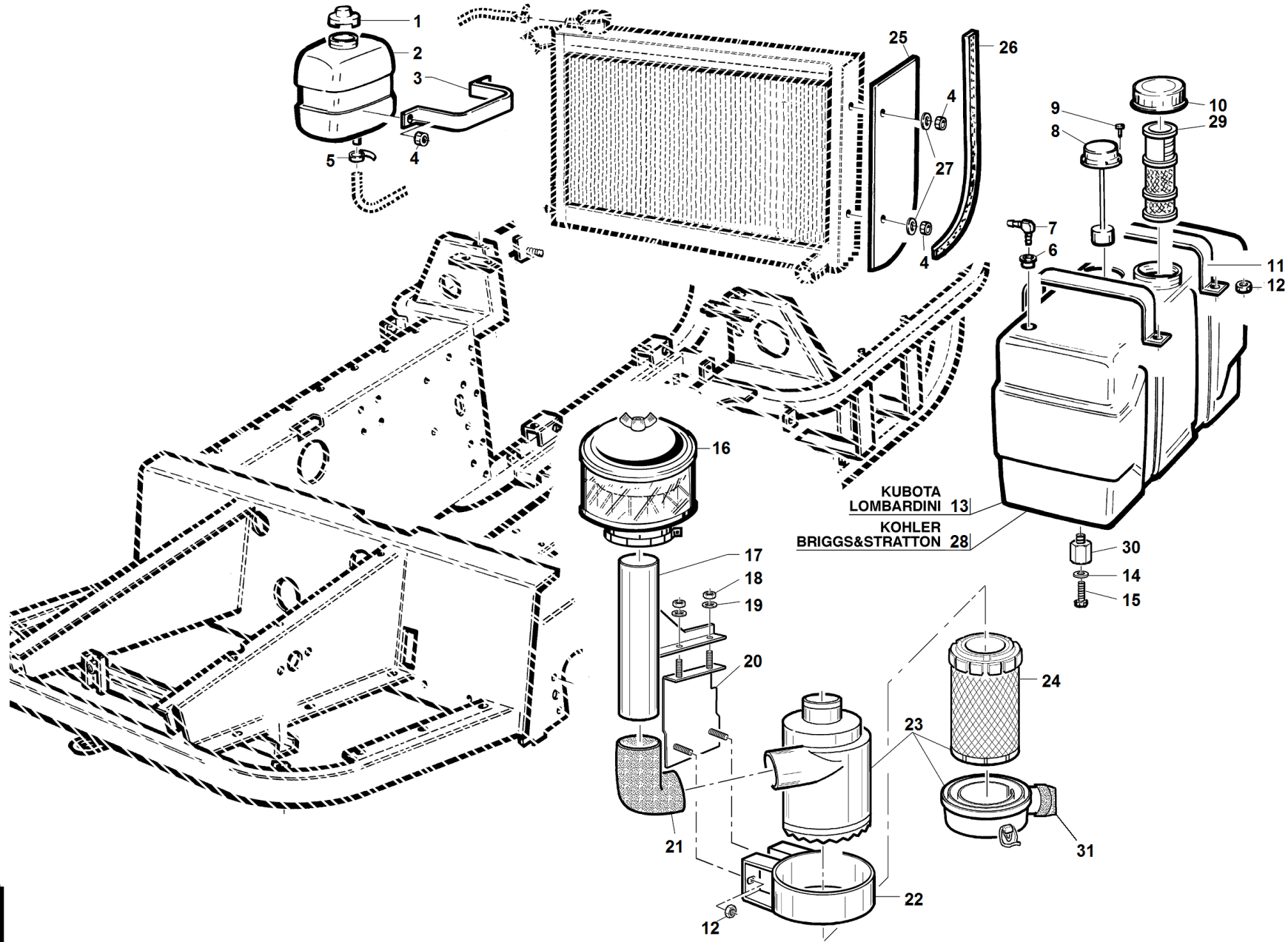
S/N

→04320110÷ 06401606←

REF. 14 - 00555991749

#	P/N	DESCRIPTION	PG/SR
1	00111970061	WATER TANK PLUG	
2	00111970060	TANK RECUP. WATER	
3	PZ95049000013	TANK FIXING CLAMP	
4	00111000166	SELF BL. SCREW M6	
5	00111810008	CLAMP 12-20 TYPE NORMA	
8	00777800189	RESERVE GAUGE	
9	00111450017	SCREW FR M4X18	
10	00111970155	FILLERCAP WITH VALVE	
12	00111000071	SELF BLO. NUT M8	
16	00777650027	CYCLONE PRECLEANER	
17	95049420000	COLLECTOR AIR COMPLETE	
18	00111000082	NUT M8	
19	00111000087	WASHER P.8,4X15.6X1,5	
20	95049430000	AIR FILTER SUPPORT	
21	00111970116	DIESEL AIR FILTER CONNECTOR	
22	00777650043	BRACKET AIR FILTER SUPPORT	
23	00777650041	AIR FILTER DIESEL	
24	00777650042	AIR FILTER CARTRIDGE	
25	PC95049000011	RADIATOR SIDE CLOSING	
26	95049000021	WASHER 229/6 L=360	
27	00111000037	WASHER 6.6X18X2	
28	95200000005	PG TANK	
29	00111970052	FUEL FILTER	
31	00111000059	FAKE SCREW/WASH. M8X14	
32	95599000031	AIR FILTER GUARD	
33	95200000007	PG/SR TANK SUPPORT PLATE	

PG/SR

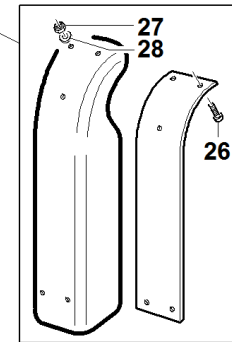
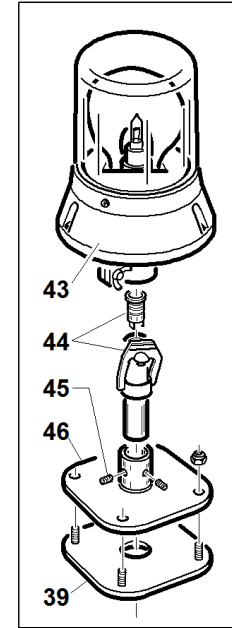
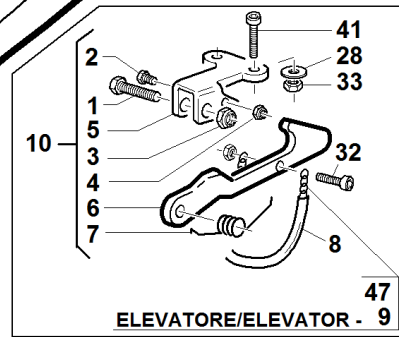
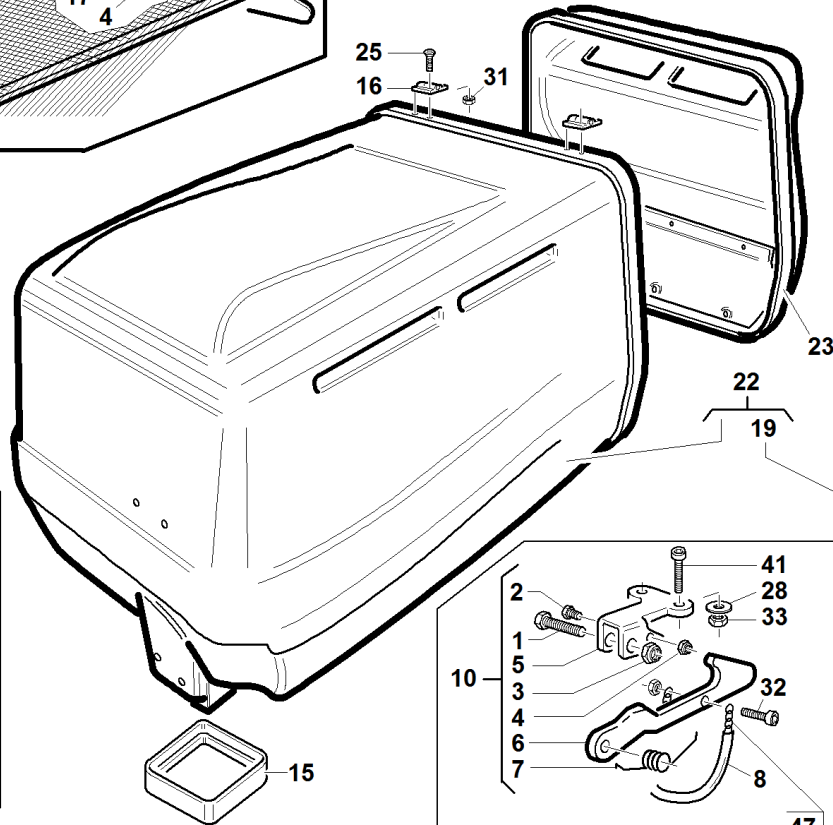
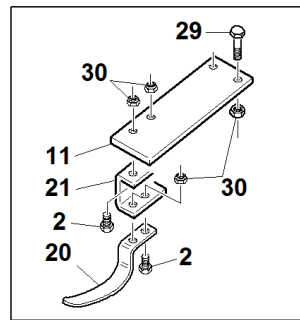
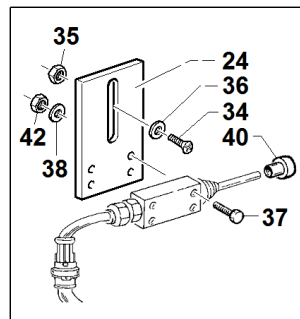
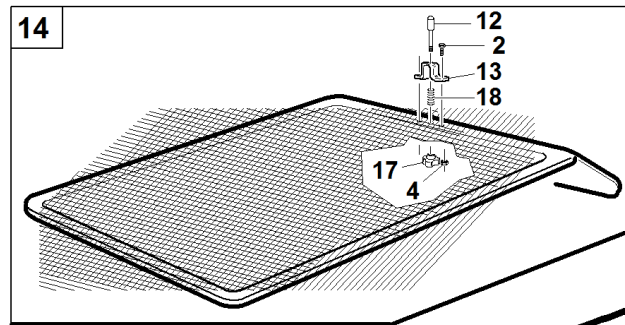


S/N

→03276107 ÷ 04320010←

REF. 14 - 00555991723

#	P/N	DESCRIPTION	PG/SR
1	00111970061	WATER TANK PLUG	
2	00111970060	TANK RECUP. WATER	
3	PZ95049000013	TANK FIXING CLAMP	
4	00111000166	SELF BL. SCREW M6	
5	00111810008	CLAMP 12-20 TYPE NORMA	
6	00111970070	CABLE HOLDER	
7	00111970069	PIPE-FITTING BEND D.6	
8	00777800051	RESERVE GAUGE mm180	
9	00111350009	SCREW AUTOFORF.4.2X13	
10	00111970155	FILLERCAP WITH VALVE	
11	PZ95049000009	TANK FIXING ROD	
12	00111000071	SELF BLO. NUT M8	
13	95599000023	"PG PERFORATED TANKPG PERFORATED TANK"	
14	00777600045	WASHER COPPER 1/8	
15	00777600026	PIPE-FITTING DRILLED	
16	00777650027	CYCLONE PRECLEANER	
17	95049420000	COLLECTOR AIR COMPLETE	
18	00111000082	NUT M8	
19	00111000087	WASHER P.8,4X15.6X1,5	
20	95049430000	AIR FILTER SUPPORT	
21	00111970116	DIESEL AIR FILTER CONNECTOR	
22	00777650043	BRACKET AIR FILTER SUPPORT	
23	00777650041	AIR FILTER DIESEL	
24	00777650042	AIR FILTER CARTRIDGE	
25	PC95049000011	RADIATOR SIDE CLOSING	
26	95049000021	WASHER 229/6 L=360	
27	00111000037	WASHER 6.6X18X2	
28	00111970059	DIESEL TANK HP 25 B 14008-	
29	00111970052	FUEL FILTER	
30	00777600098	EXTENSION M+F 10X1 ES 14 COD.1102100	
31	95599000031	AIR FILTER GUARD	



Pos.	CODICE/ CODE
01	00111300043
02	00111450005
03	00111250004
04	00111000035
05	95101000004
06	95075000001
07	95101000005
08	00111970137
09	95091000001
10	95075110000
11	95143000001
12	95140000002
13	95140000001
14	95140000000
15	95075100005
16	00111970136
17	00111970014
18	94010000097
19	95599230000
20	95125000006
21	95125000011
22	95142200000
23	95142100000
24	95002000010
25	00111350011
26	00111450011
27	00111250020
28	00111500005
29	00111350023
30	00111000166
31	00111250012
32	00111400029
33	00111000183
34	00111000001
35	00111000095
36	00111000082
37	00111350031
38	00111500010
39	PZ95113110000
40	00111970042
41	00111400008
42	00111250006
43	00777801400
44	00777801500
45	00111960003
46	PZ95113100000
47	95206000001

Tav.	15	PG / SR 180 - 200	10/05/2004	Cod. 00555991712
------	----	-------------------	------------	------------------

#

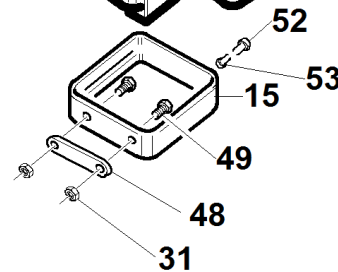
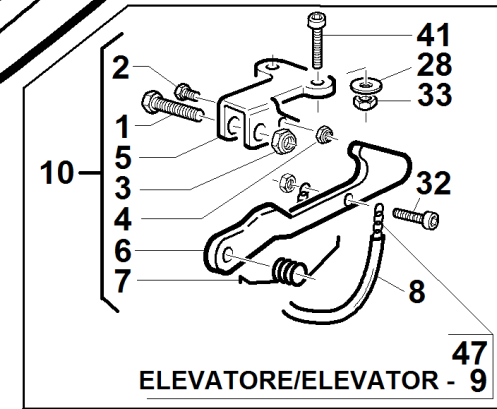
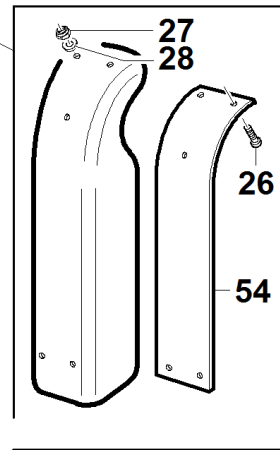
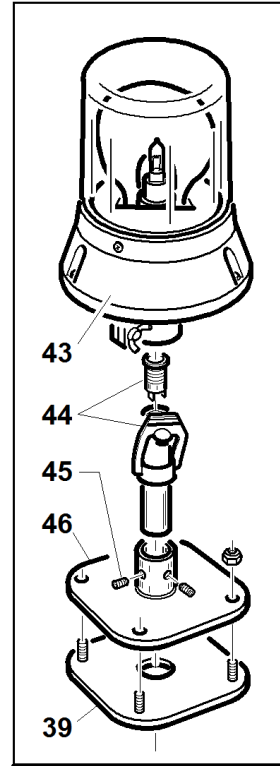
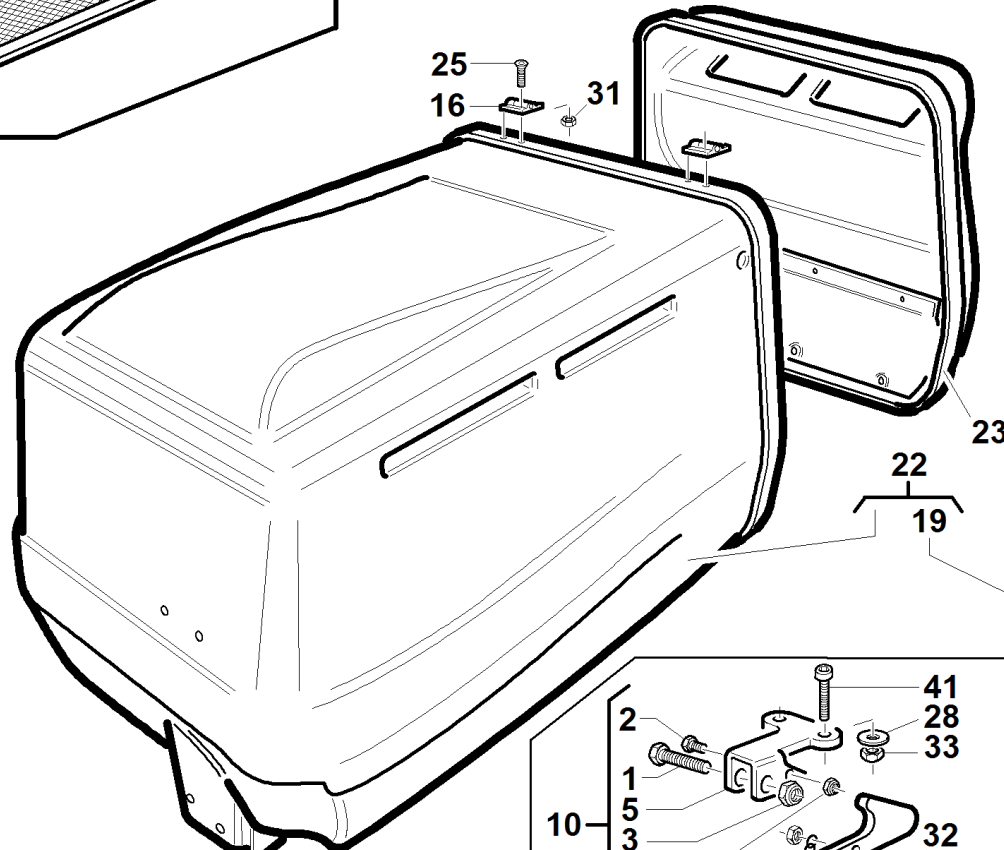
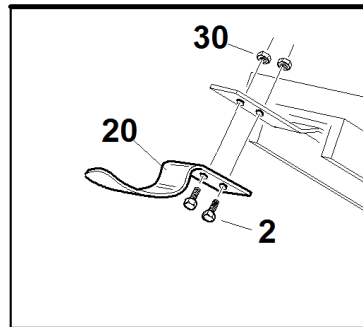
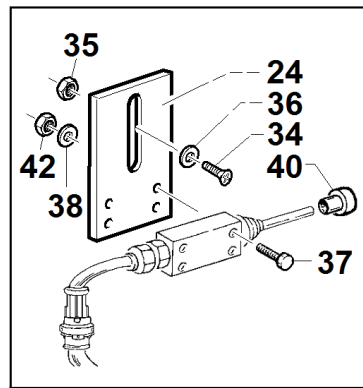
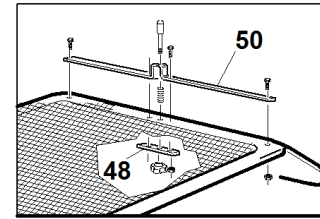
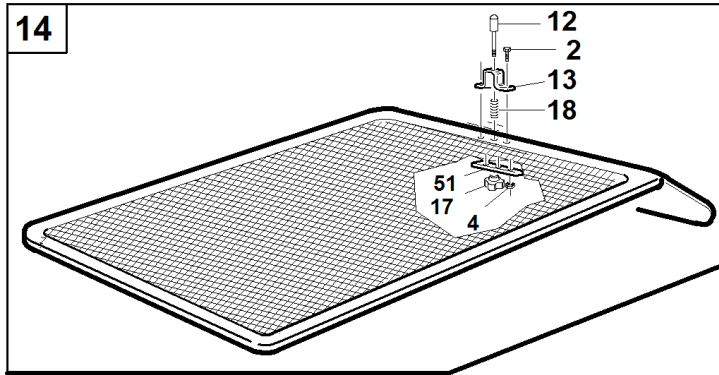
P/N

DESCRIPTION

REF. 15

#	P/N	DESCRIPTION	REF. 15

PG/SR



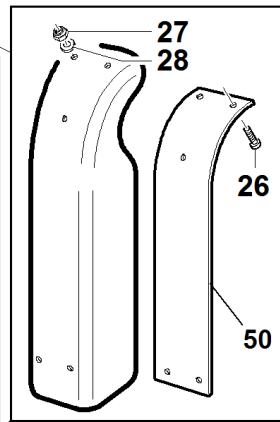
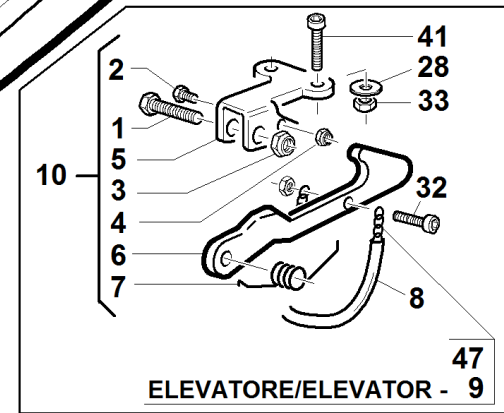
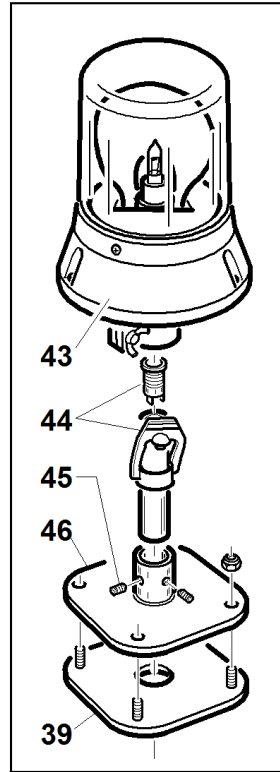
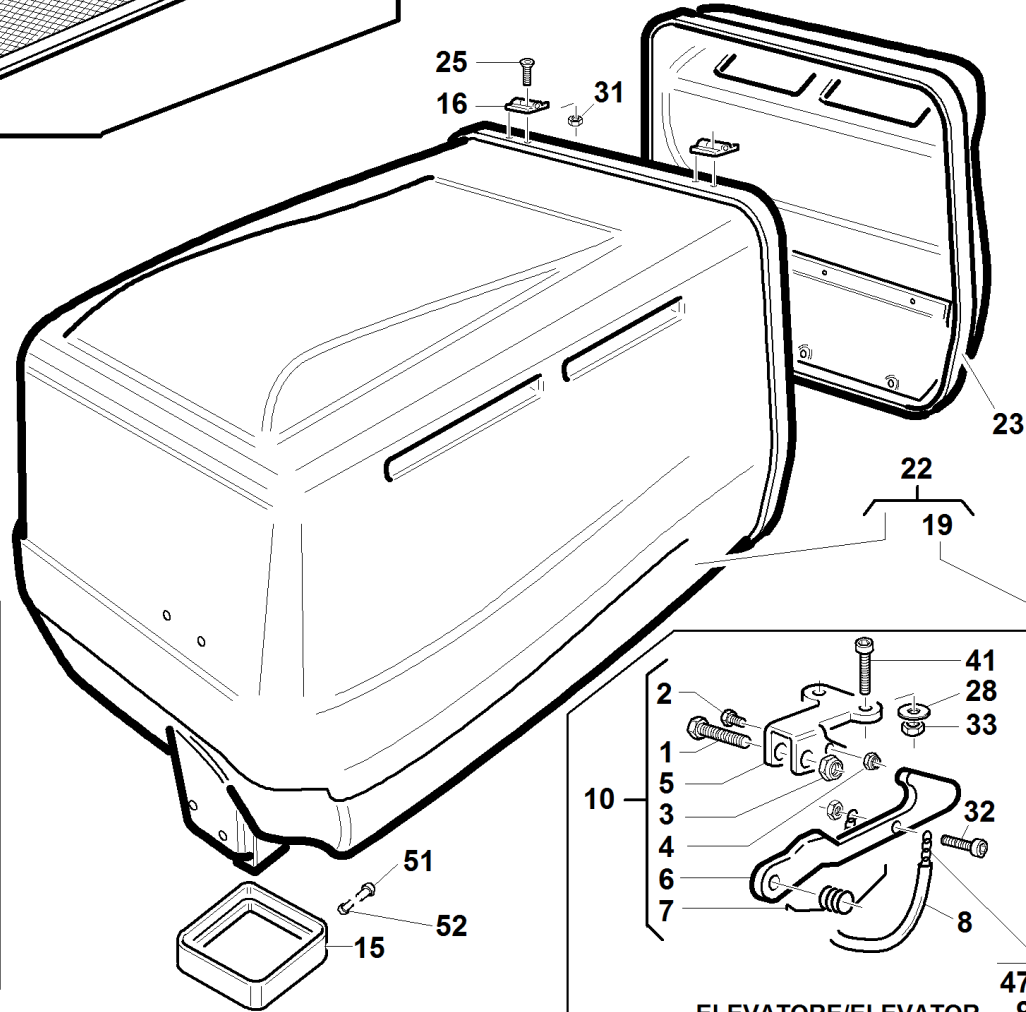
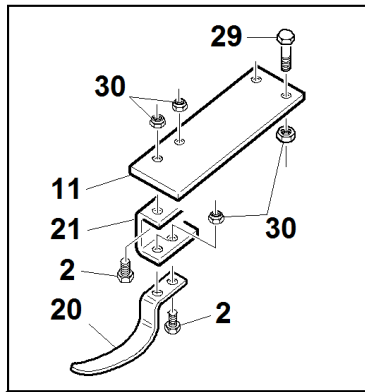
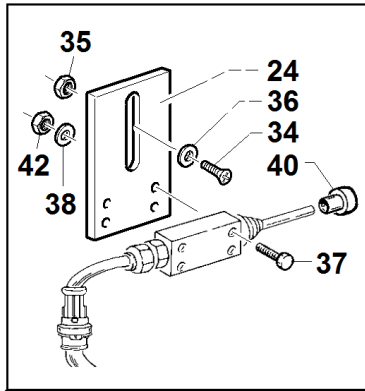
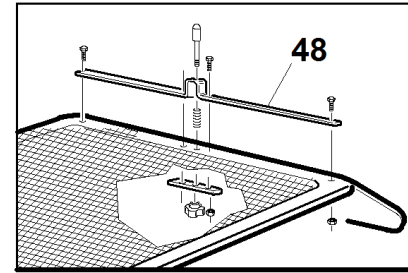
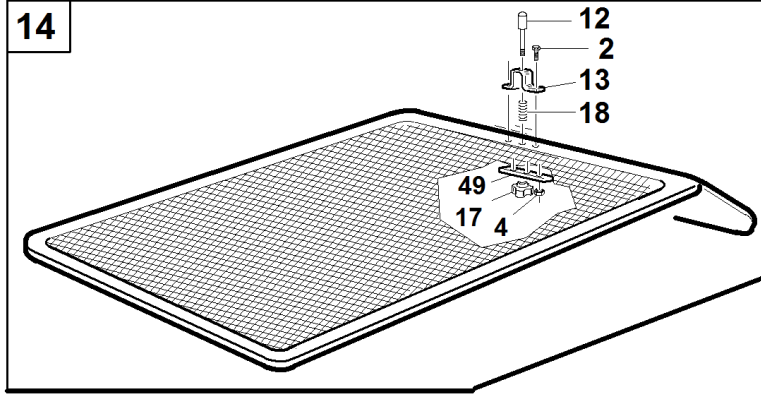
S/N

→04320110÷ 06401606←

REF. 15 - 00555991750

#	P/N	DESCRIPTION	PG/SR
1	00111300043	SCREW TE UNI 5737 M10x45 8.8	
2	00111450005	SCREW/W M6X16	
3	00111250004	SELF BL. NUT M10	
4	00111000035	SELF BLOC. NUT M6	
5	95101000004	SUPPORT COLLECTOR HOOK	
6	95075000001	COVER CLOSING HOOK	
7	95101000005	SPRING COLLECTOR HOOK	
8	00111970137	PVC PIPE L=360	
9	95091000001	CHAIN TYPE N.14-28 LAPS	
10	95075110000	SHORT HOPPER CLOSING HOOK	
12	95140000002	THREADED PG HOPPER SHAFT M6	
13	95140000001	PIN FIXING PLATE	
14	95140000000	PG 4 WHEELS ROTATIONAL HOPPER GRID	
15	95075100005	COLLECTOR WASHER	
16	00111970136	METAL HING	
17	00111970014	KNOB M6	
18	94010000097	SPRING PR F.1-8.5-40-11 TDM INOX	
19	95599500000	ROTATIONAL COLLECTOR CHIMNEY	
20	95125000006	MICRO SPRING	
22	95208120000	ASSEMBLED PG HOPPER	
23	95208130000	COVER COLLECTOR	
24	95002000010	SUPPORT STOP	
25	00111350011	SCREW TSPEI M5X20	
26	00111450011	SCREW FR M 4 X12	
27	00111250020	SELF BL.NUT M4	
28	00111500005	WASHER 5.5X15X1.6	
30	00111000166	SELF BL. SCREW M6	
31	00111250012	SELF BL. NUT METB 5MA	
32	00111400029	SCREW UNI 5931	
33	00111000183	SELF BL. NUT M5	
34	00111000001	SCREW M8X20	
35	00111000095	SELF BLO. NUT M8	
36	00111000082	NUT M8	
37	00111350031	SCREW TSPEI M4X35	
38	00111500010	WASHER 4.3X9X0.8	
39	PZ95113110000	LAMP PLATE	
40	00111970042	FEMALE KNOB THB20M4	
41	00111400008	ALLEN SCREW M5X20	
42	00111250006	SELF BL. NUT M4	
43	00777801400	ROTATING LAMP	
44	00777801500	LAMP COUPLING	
45	00111960003	GRUB M6X10	
46	PZ95113100000	LAMP SUPPORT	
47	95206000001	CHAIN L=590	
48	95208000002	HOPPER GASKET SUPPORT	
49	00111350027	SCREW TSPEI M5x25	
50	95140000003	PIN SUPPORT GUIDE	
51	95140000004	PIN FIXING BRACKET	
52	00111800014	RIVET HEAD	
53	00111800015	BOSS	
54	95142201001	COLLECTOR CHIMNEY STIFFENER	

PG/SR



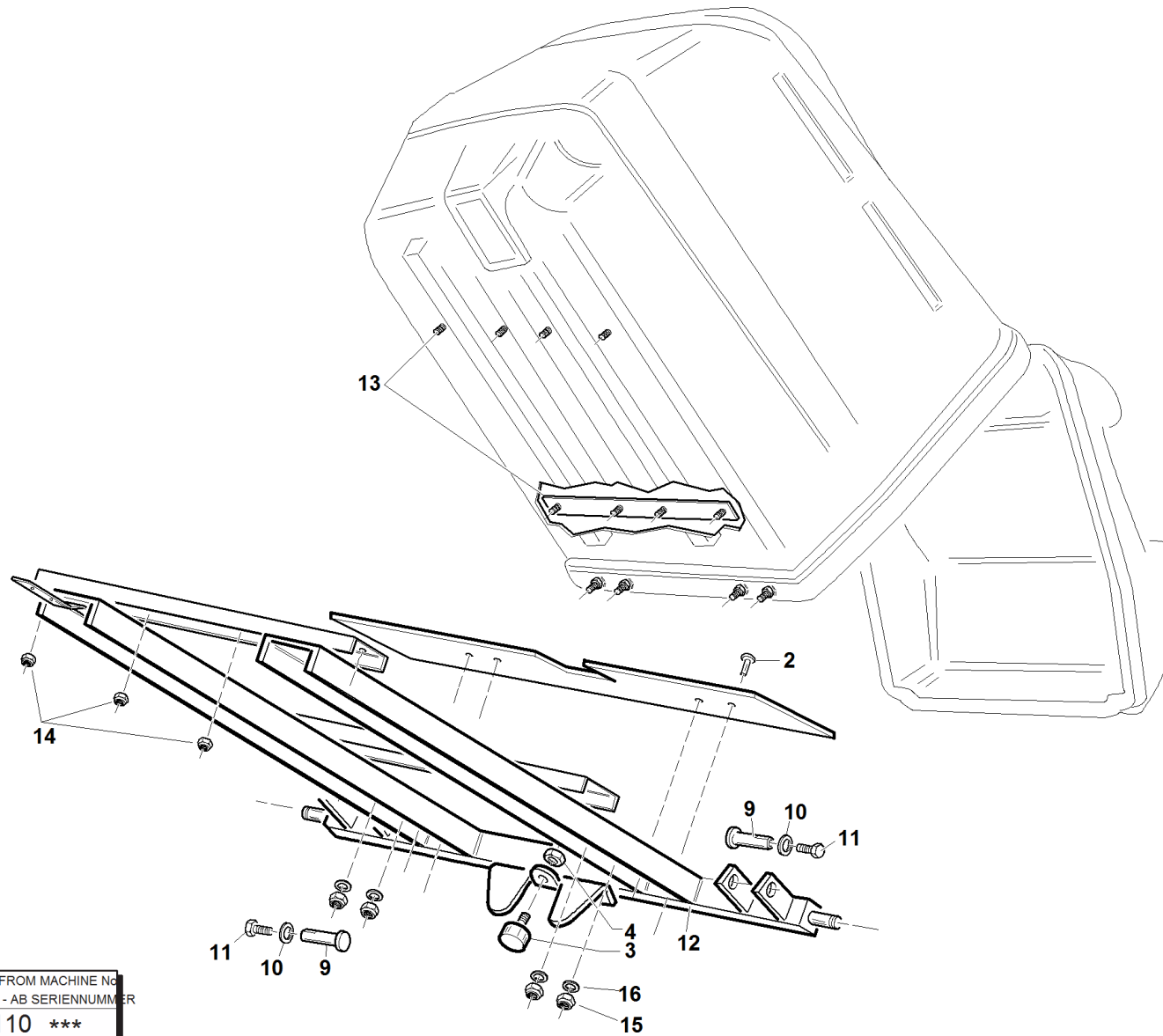
S/N

→03276107÷ 04320010←

REF. 15 - 00555991712

#	P/N	DESCRIPTION	PG/SR	REF. 15 - 00555991712
1	00111300043	SCREW TE UNI 5737 M10x45 8.8		
2	00111450005	SCREW/W M6X16		
3	00111250004	SELF BL. NUT M10		
4	00111000035	SELF BLOC. NUT M6		
5	95101000004	SUPPORT COLLECTOR HOOK		
6	95075000001	COVER CLOSING HOOK		
7	95101000005	SPRING COLLECTOR HOOK		
8	00111970137	PVC PIPE L=360		
9	95091000001	CHAIN TYPE N.14-28 LAPS		
10	95075110000	SHORT HOPPER CLOSING HOOK		
11	95143000001	REINFORCEMENT PLATE		
12	95140000002	THREADED PG HOPPER SHAFT M6		
13	95140000001	PIN FIXING PLATE		
13	95140000003	PIN SUPPORT GUIDE		
14	95140000000	PG 4 WHEELS ROTATIONAL HOPPER GRID		
15	95075100005	COLLECTOR WASHER		
16	00111970136	METAL HING		
17	00111970014	KNOB M6		
18	94010000097	SPRING PR F.1-8.5-40-11 TDM INOX		
19	95599500000	ROTATIONAL COLLECTOR CHIMNEY		
20	95125000006	MICRO SPRING		
21	95125000011	HOPPER MICRO SPRING SUPPORT		
22	95142200000	PG 4 WHEELS ROTATIONAL HOPPER		
23	95142100000	PG 4 WHEELS COVER		
24	95002000010	SUPPORT STOP		
25	00111350011	SCREW TSPEI M5X20		
26	00111450011	SCREW FR M 4 X12		
27	00111250020	SELF BL.NUT M4		
28	00111500005	WASHER 5.5X15X1.6		
29	00111350023	SCREW TSPEI M6X20		
30	00111000166	SELF BL. SCREW M6		
31	00111250012	SELF BL. NUT METB 5MA		
32	00111400029	SCREW UNI 5931		
33	00111000183	SELF BL. NUT M5		
34	00111000001	SCREW M8X20		
35	00111000095	SELF BLO. NUT M8		
36	00111000082	NUT M8		
37	00111350031	SCREW TSPEI M4X35		
38	00111500010	WASHER 4.3X9X0.8		
39	PZ95113110000	LAMP PLATE		
40	00111970042	FEMALE KNOB THB20M4		
41	00111400008	ALLEN SCREW M5X20		
42	00111250006	SELF BL. NUT M4		
43	00777801400	ROTATING LAMP		
44	00777801500	LAMP COUPLING		
45	00111960003	GRUB M6X10		
46	PZ95113100000	LAMP SUPPORT		
47	95206000001	CHAIN L=590		
48	95140000003	PIN SUPPORT GUIDE		
49	95140000004	PIN FIXING BRACKET		
50	95142201001	COLLECTOR CHIMNEY STIFFENER		
51	00111800014	RIVET HEAD		
52	00111800015	BOSS		

Pbs.	CODICE/ CODE
02	0011180004
03	00111970126
04	00111250004
06	95205000002
09	94010000060
10	00111000061
11	00111000081
12	95208150000
13	95208200000
14	00111250010
15	00111000095
16	00111000087



DA MATRICOLA - FROM MACHINE No.
DÈS LE N° DE SÉRIE - AB SERIENNUMMER
** 04320110 ***

Tav. 16	PG / SR 180 - 200	10/01/2005	Cod. 00555991751
----------------	-------------------	------------	-------------------------

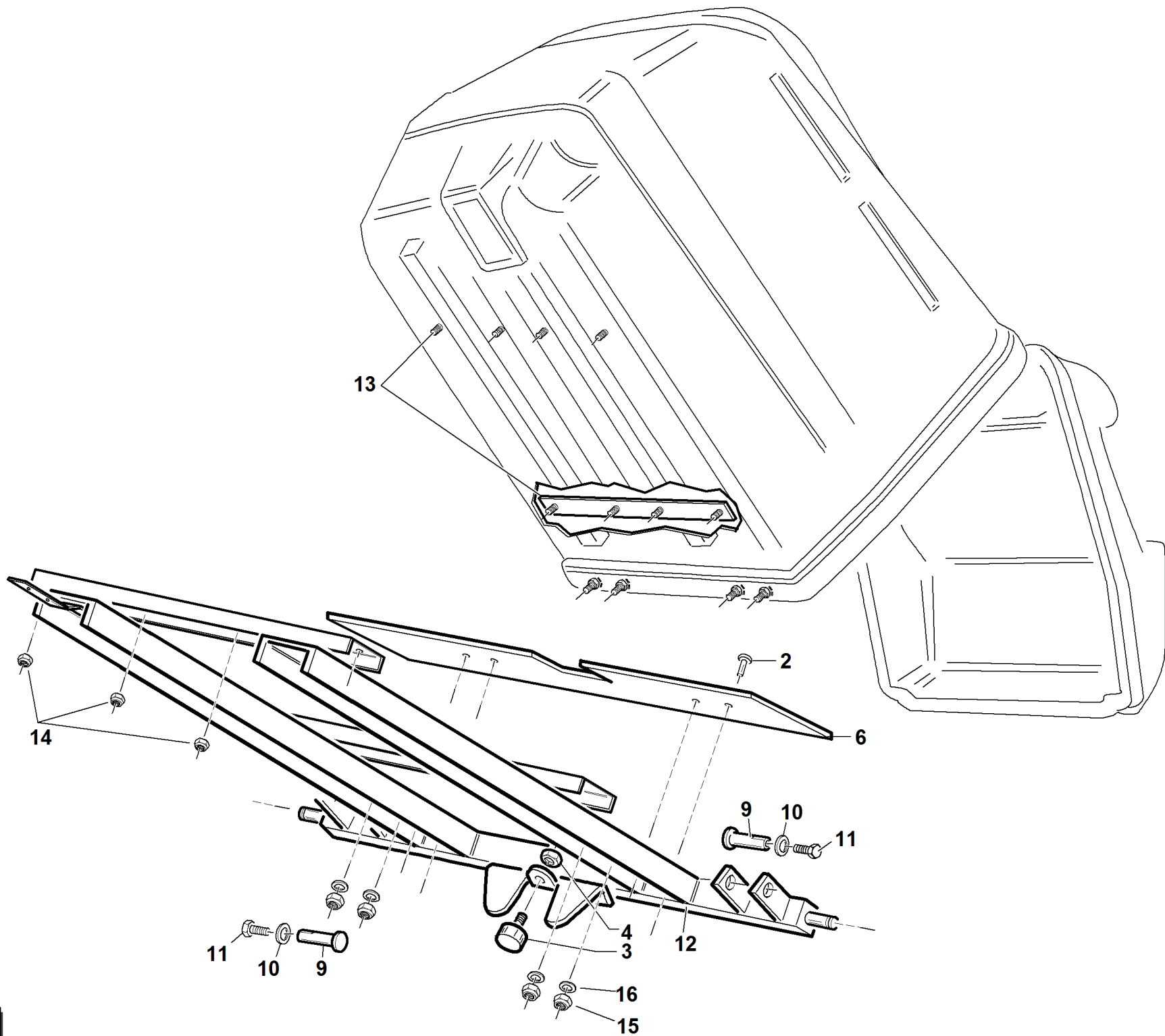
#

P/N

DESCRIPTION

REF. 16

PG/SR



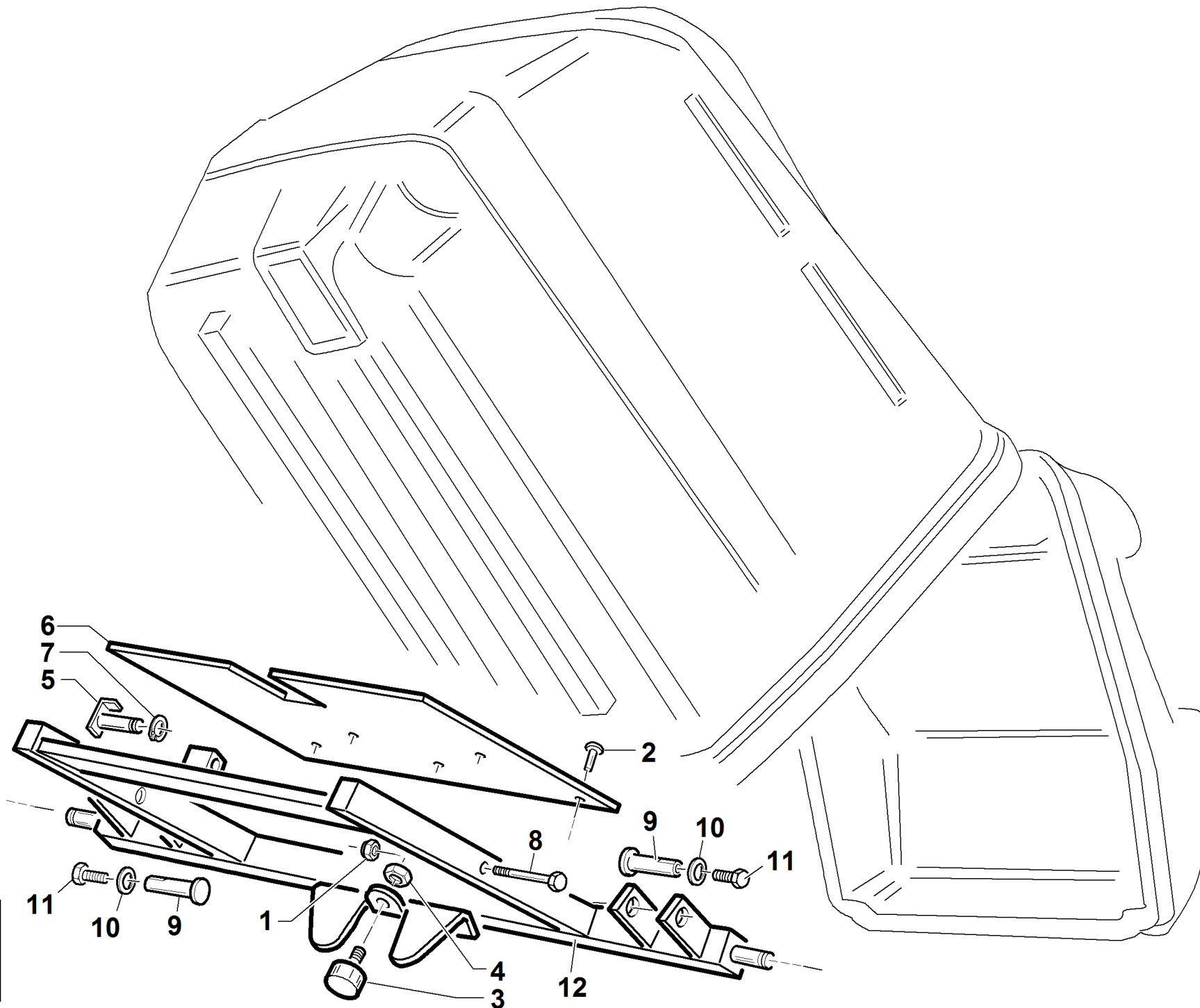
S/N

→04320110÷ 06401606←

REF. 16 - 00555991751

#	P/N	DESCRIPTION	PG/SR
2	00111800004	RIVET D.4.8X16X20	
3	00111970126	VIBRATION-DAMPING STOPPER M10 40X30	
4	00111250004	SELF BL. NUT M10	
6	95205000002	HOPPER PROTECTION PLATE	
9	94010000060	CYLINDER FIXING PIN	
10	00111000061	WASHER 8.4X24X2	
11	00111000081	SCREW TE M8X16	
12	95208150000	HOPPER SUPPORT	
13	95208200000	HOPPER REINFORCEMENT PLATE	
14	00111250010	SELF BL. NUT M5	
15	00111000095	SELF BLO. NUT M8	
16	00111000087	WASHER P.8,4X15.6X1,5	

PG/SR

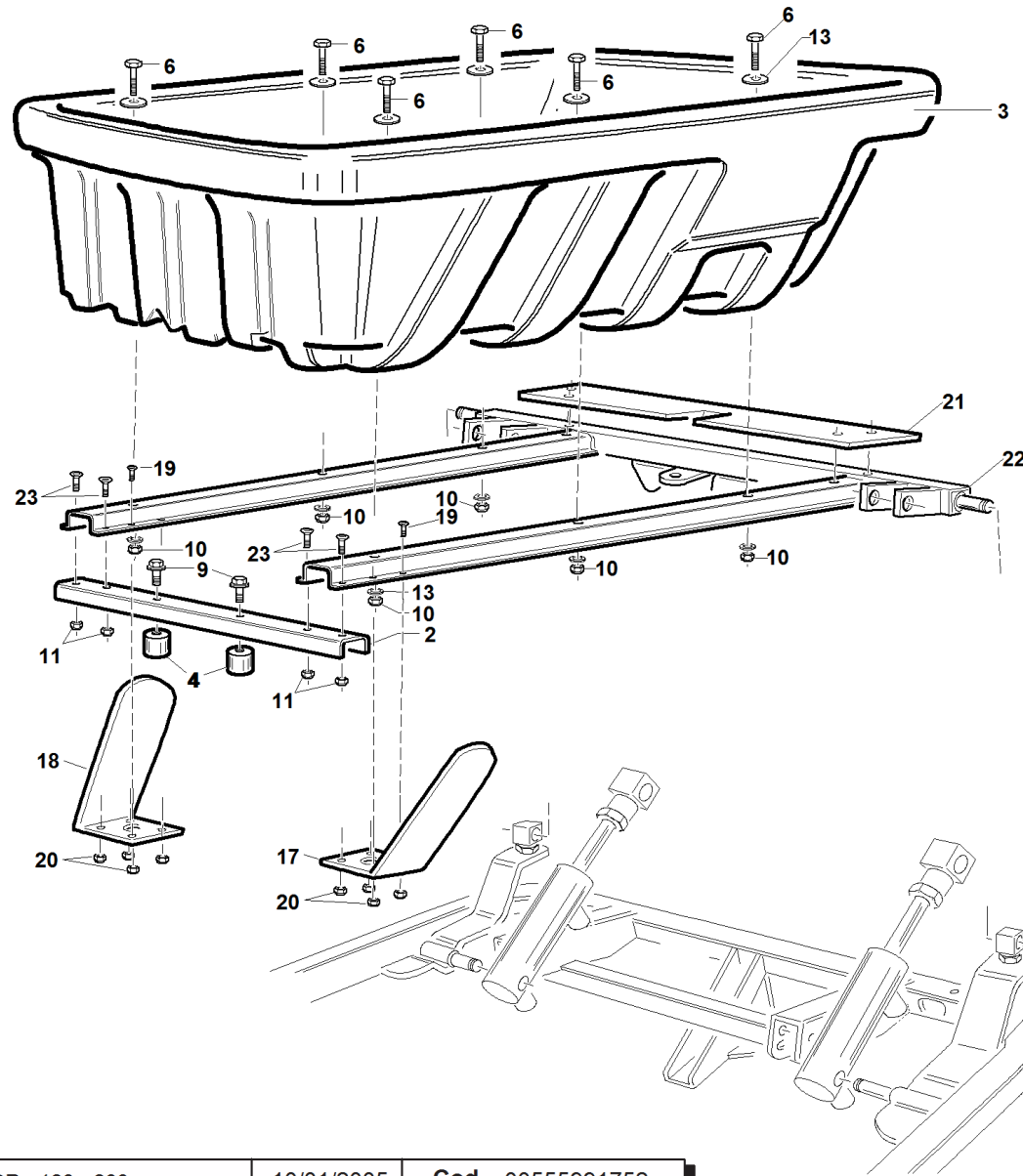


S/N

→03276107÷ 04320010←

REF. 16 - 00555991725

#	P/N	DESCRIPTION	PG/SR
1	00111250008	SELF BL. NUT M12	
2	00111800004	RIVET D.4.8X16X20	
3	00111970126	VIBRATION-DAMPING STOPPER M10 40X30	
4	00111250004	SELF BL. NUT M10	
5	PZ95060150000	TOP PIN SUPPORT CYLINDER	
6	95125000007	HOPPER GUARD PLATE	
7	00111650004	SNAP RING D.15 E	
8	00111300042	SCREW TE M12X80	
9	94010000060	CYLINDER FIXING PIN	
10	00111000061	WASHER 8.4X24X2	
11	00111000081	SCREW TE M8X16	
12	95125140000	HOPPER SUPPORT	



Pos.	CODICE/ CODE
02	95207000002
03	95170100000
04	00111180001
06	00111300067
09	00111000059
10	00111000071
11	00111000095
13	00111000132
17	95207000006
18	95207000005
19	00111350023
20	00111000166
21	95125000007
22	95207150000
23	00111000072

DA MATRICOLA - FROM MACHINE No.
DÈS LE N° DE SÉRIE - AB SERIENNUMBER
** 04320110 ***

Tav. 17 SR 180 - 200 10/01/2005 **Cod.** 00555991752

#

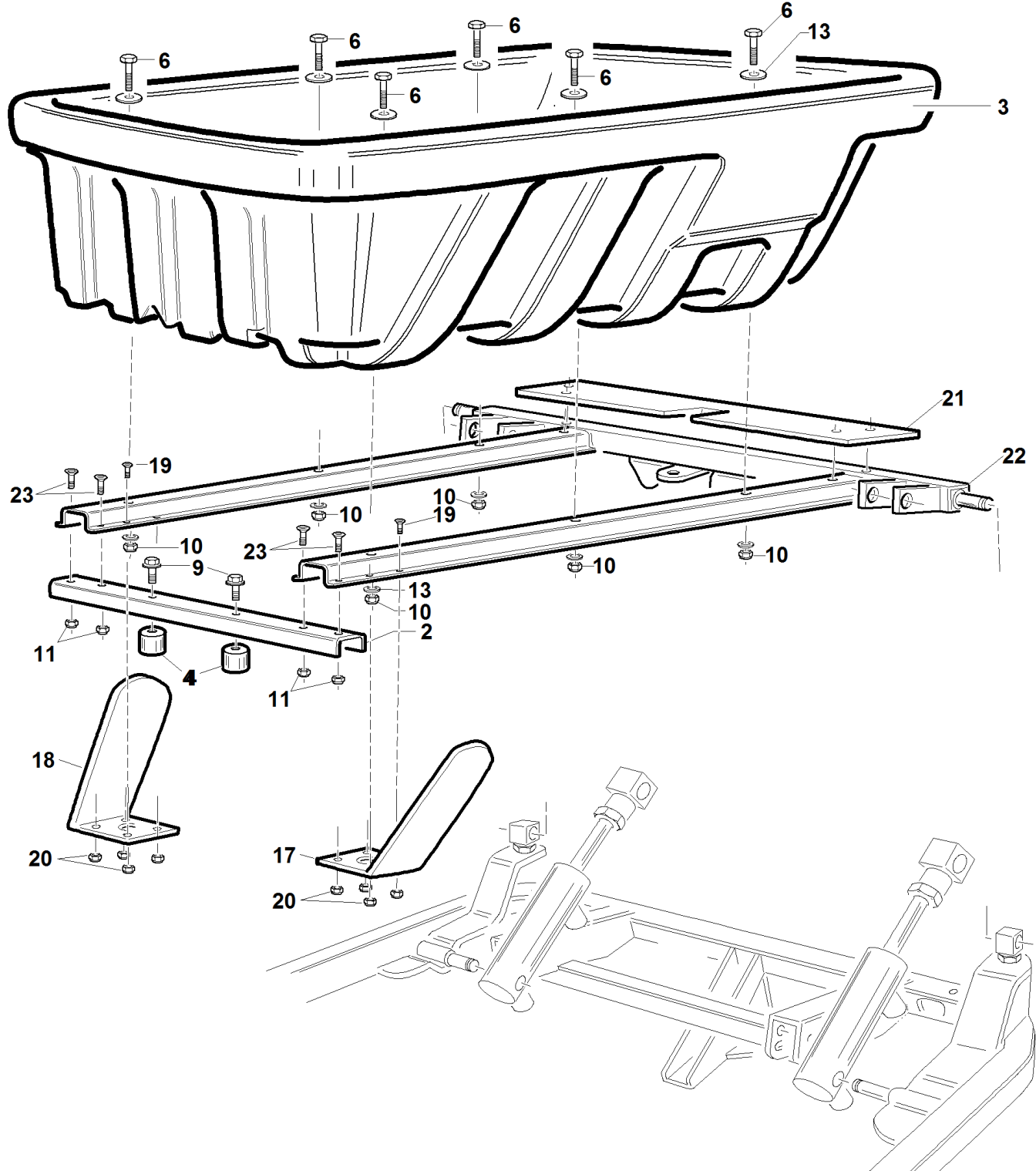
P/N

DESCRIPTION

REF. 17

#	P/N	DESCRIPTION	REF. 17

PG/SR

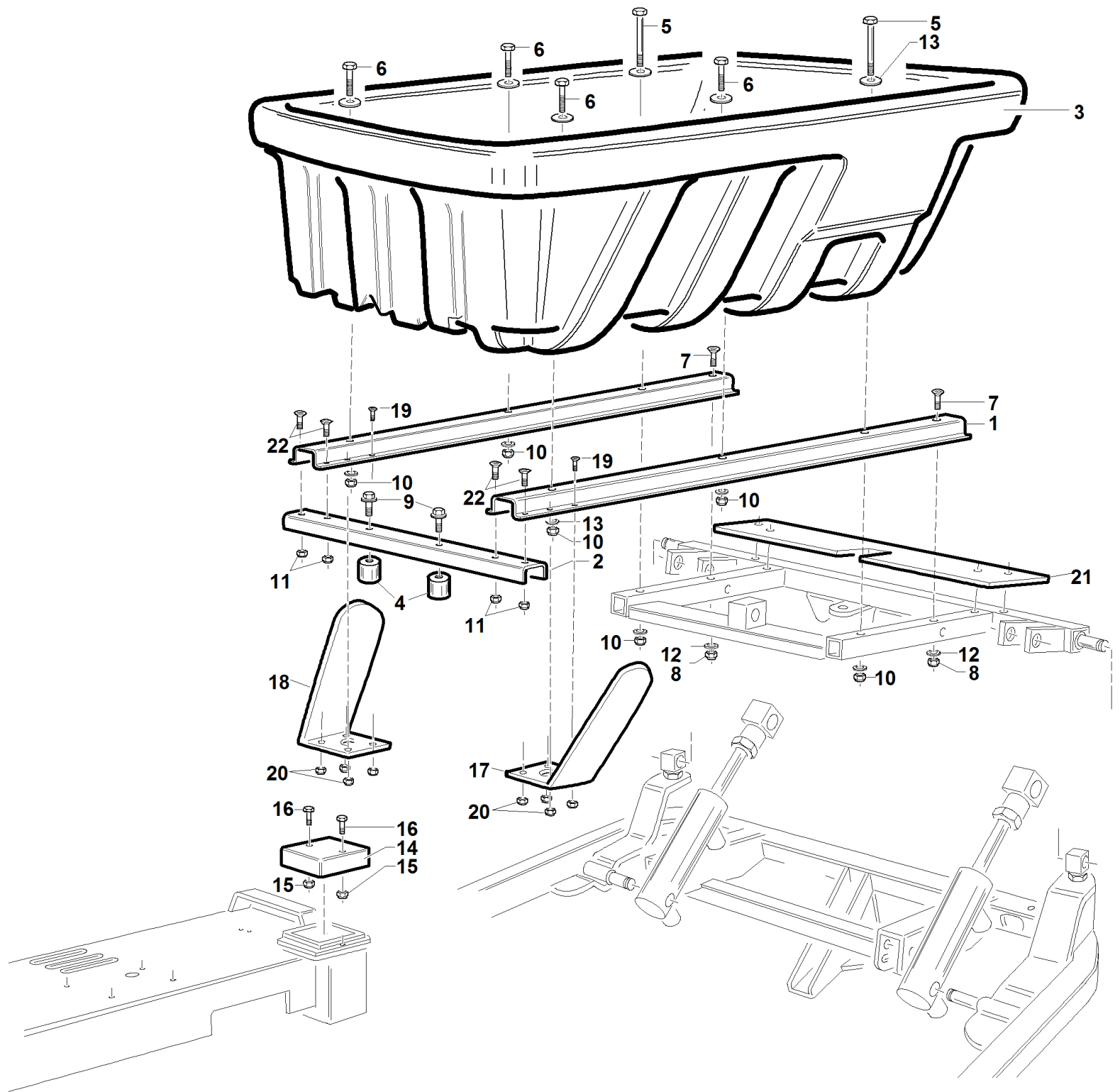


S/N

→04320110÷ 06401606←

REF. 17 - 00555991752

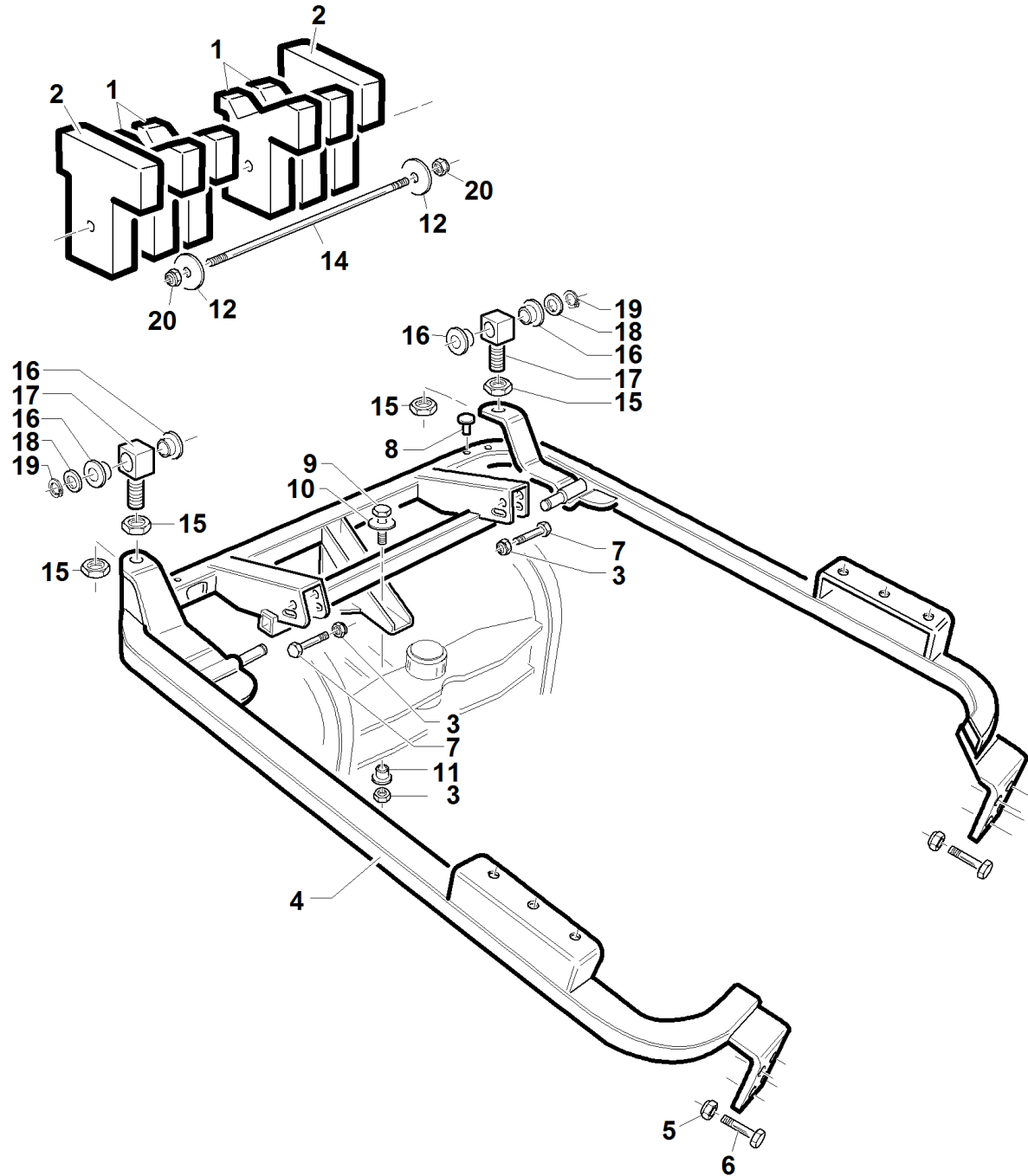
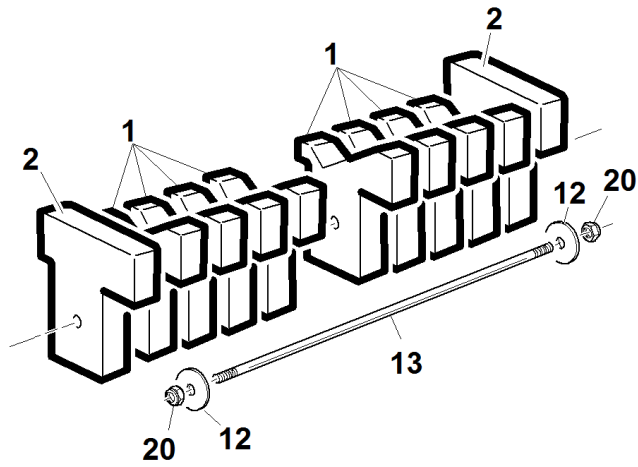
#	P/N	DESCRIPTION	PG/SR
2	95207000002	HLAF-COLLECTOR CROSS SUPPORT	
3	95170100000	ROTATIONAL TRAY	
4	00111180001	VIBRATION-DAMPING STOPPER	
6	00111300067	SCREW	
9	00111000059	FAKE SCREW/WASH. M8X14	
10	00111000071	SELF BLO. NUT M8	
11	00111000095	SELF BLO. NUT M8	
13	00111000132	WASHER P. 8,4X32X2,5 ZNT	
17	95207000006	LEFT LAODING TRY SUPPORT	
18	95207000005	RIGHT LOADING TRY SUPPORT	
19	00111350023	SCREW TSPEI M6X20	
20	00111000166	SELF BL. SCREW M6	
21	95125000007	HOPPER GUARD PLATE	
22	95207150000	LOADING TRY SUPPORT	
23	00111000186	SCREW TSPEI M8X20	



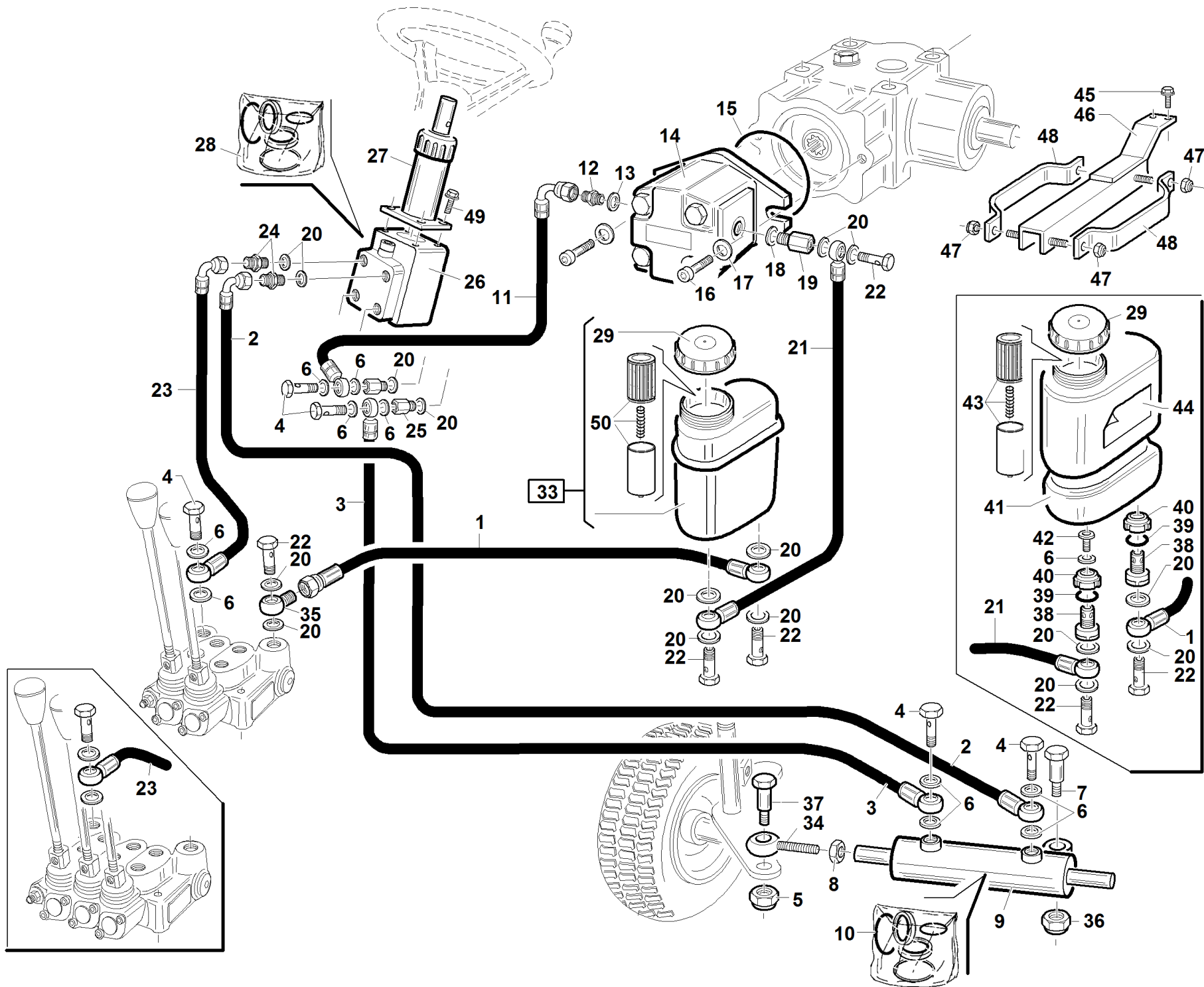
S/N
→03276107÷ 04320010←

REF. 17 - 00555991713

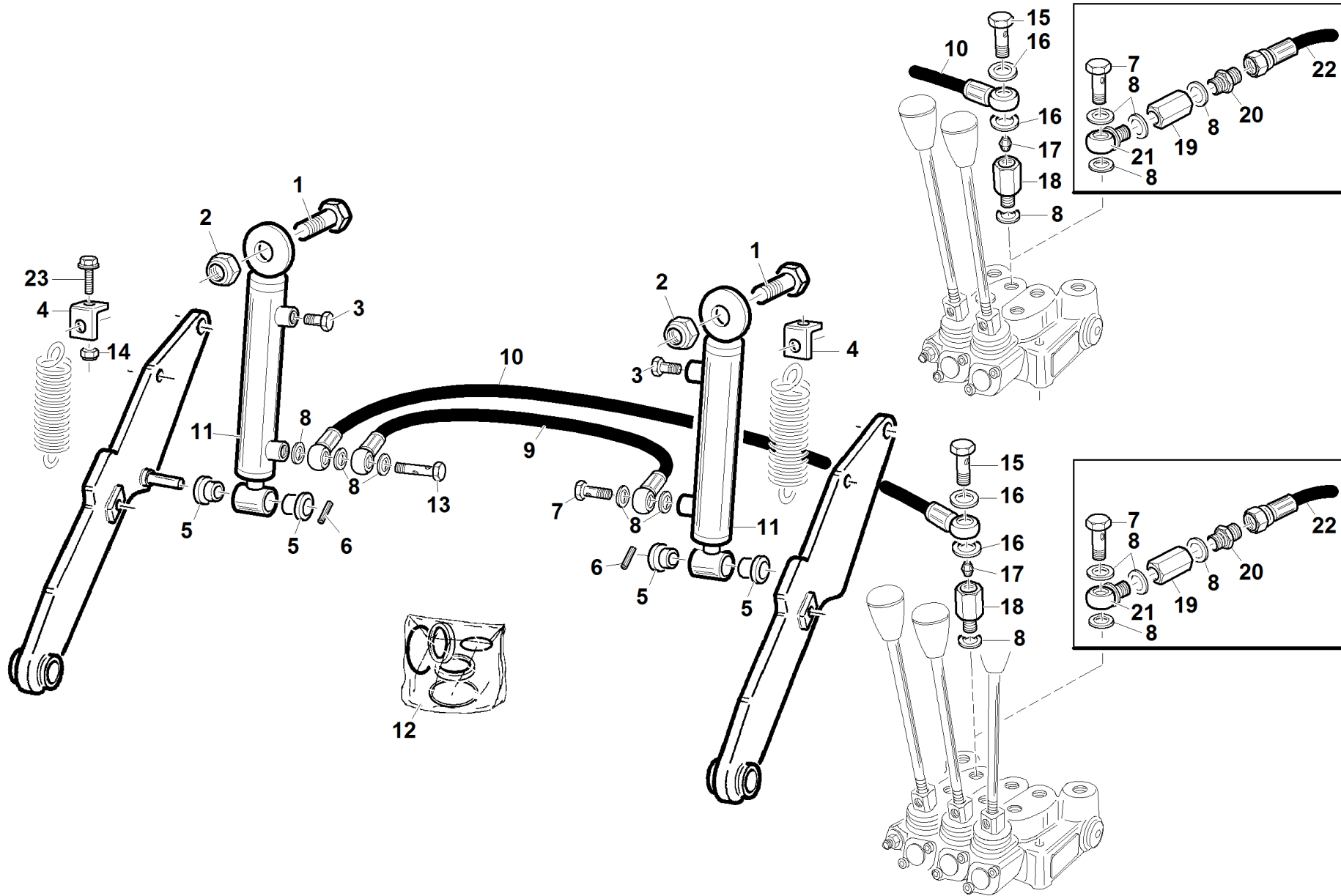
#	P/N	DESCRIPTION	PG/SR
1	95207200000	HALF-COLLECTOR SUPPORT	
2	95207000002	HLAF-COLLECTOR CROSS SUPPORT	
3	95170100000	ROTATIONAL TRAY	
4	00111180001	VIBRATION-DAMPING STOPPER	
5	00111300065	SCREW	
6	00111300067	SCREW	
7	00111350033	SCREW	
8	00111250004	SELF BL. NUT M10	
9	00111000059	FAKE SCREW/WASH. M8X14	
10	00111000071	SELF BLO. NUT M8	
11	00111000095	SELF BLO. NUT M8	
12	00111000015	WASHER D.10,5X21X2	
13	00111000132	WASHER P. 8,4X32X2,5 ZNT	
14	95207000001	CLOSER PLUG	
15	00111000035	SELF BLOC. NUT M6	
16	00111000112	SCREW TE M6X40	
17	95207000006	LEFT LAODING TRY SUPPORT	
18	95207000005	RIGHT LOADING TRY SUPPORT	
19	00111350023	SCREW TSPEI M6X20	
20	00111000166	SELF BL. SCREW M6	
21	95125000007	HOPPER GUARD PLATE	
22	00111000186	SCREW TSPEI M8X20	



#	P/N	DESCRIPTION	PG/SR
1	95049000037	PG REAR BALLAST	
2	95207000003	PG REAR BALLAST 8.6 KG	
3	00111250008	SELF BL. NUT M12	
4	95062130000	FRAME COMPLETE	
5	00111250004	SELF BL. NUT M10	
6	00111300018	SCREW TE M10X35	
7	00111300010	SCREW TE M12X70	
8	00111970168	CLOSER PLUG	
9	00111000024	SCREW TE UNI 5739	
10	00111500003	WASHER 12X36X3	
11	95006000015	BLADE BUSHING	
12	00111000132	WASHER P. 8,4X32X2,5 ZNT	
13	95153000002	BALLAST BAR L=420	
14	95139000003	BALLAST BAR L=270	
15	00111150011	NUT 5589 M20X1.5	
16	00111990017	BUSHING WITH EDGE TFF 20/16,5	
17	94013000015	BUSHING M20X1.5	
18	00111500011	WASHER 20X30X2	
19	00111000057	SNAP RING D.20 E	
20	00111000071	SELF BLO. NUT M8	

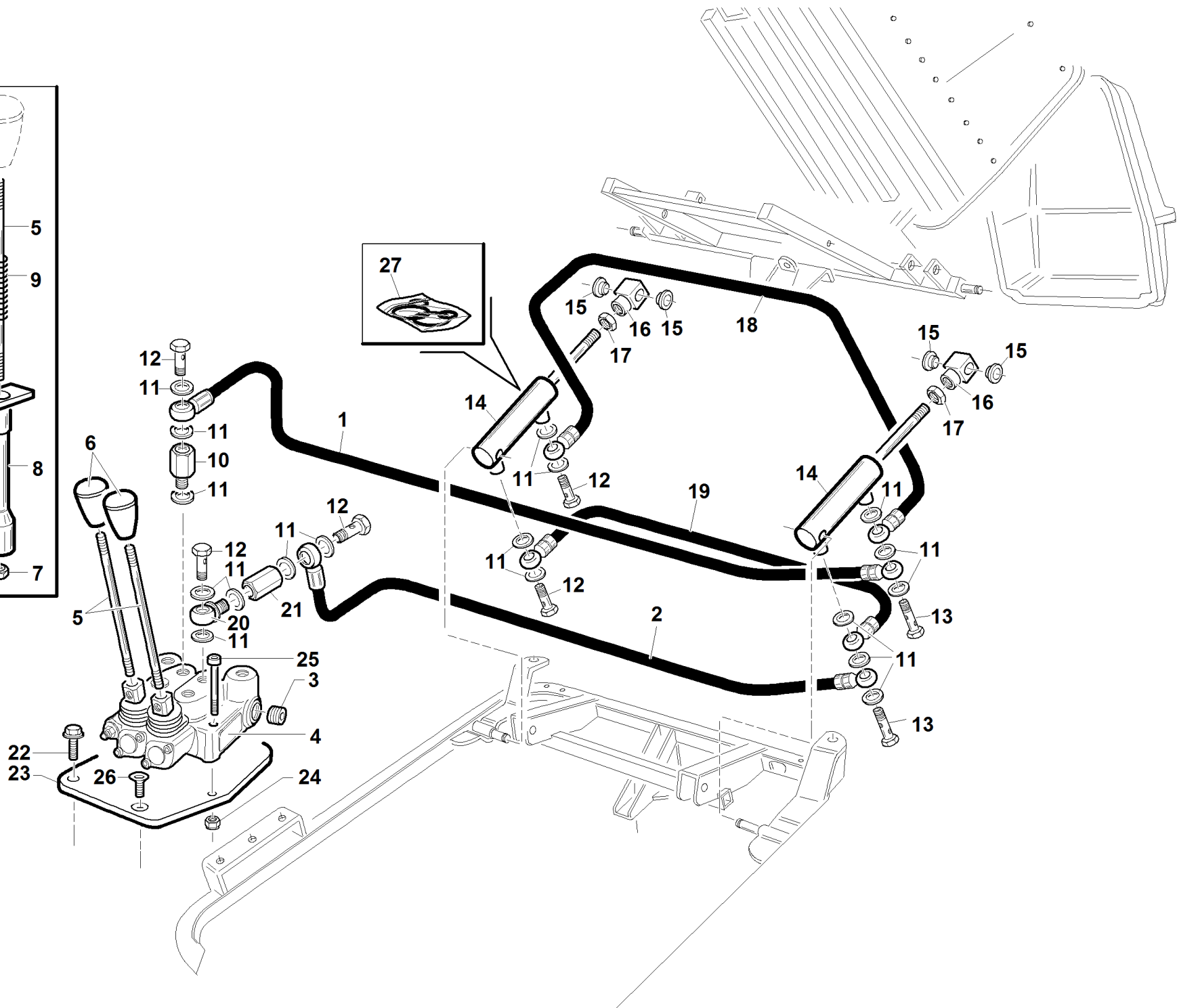
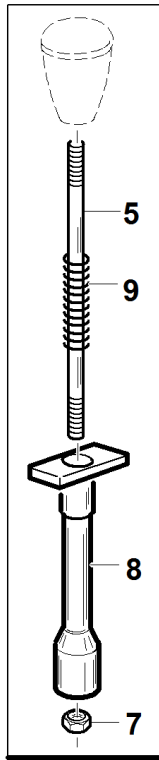


#	P/N	DESCRIPTION	PG/SR
1	95042380008	HOSE R17 L=920	
2	00777600059	HOSE R1 1/4 L=2880	
3	00777600061	HOSE R1 1/4 L=2880	
4	00777600040	SIMPLE CABLE BOLT	
5	00111250011	SELF BL. NUT M14x1,5	
6	00777600001	WASHER COPPER 1/4	
7	95060000001	FIXING SCREW CYLINDER	
8	95096000001	NUT M14 Ch 19	
9	95097200000	DOUBLE STEM CYLINDER	
10	95599170000	CYLINDER GASKETS KIT	
11	00777600057	HOSE R1 1/4 L=1340	
12	00777600084	NIPPLE 1/4x9.16-18	
13	00777230014	ORM RING 100-20	
14	00777600083	SAUER-DANFOSS PUMP SKP1/1,2 S	
15	00777230012	OR RING 3206	
16	00111000062	SCREW ALLEN M10x25 8.8 UNI 5931	
17	00111500013	WASHER P10,5x18x2	
18	00777230013	OR RING 119	
19	00777600085	REDUCTION M3/4-16 F3/8 L.28	
20	00777600003	WASHER COPPER 3/8	
21	95042380009	COMPLETE HOSE R17 L.610	
22	00777600042	EMPTY SCREW	
23	00777600058	HOSE R1 1/4 L=1550	
24	00777600063	NIPPLE 3/8 1/4	
25	00777600062	REDUCTION 3/8	
26	00777600056	DRIVE UNITY	
27	00777601500	TOP 200 LITTLE COLUMN	
28	00777601800	GASKETS KIT	
29	00111970056	OIL TANK PLUG	
33	00111970094	COMPLETE OIL TANK	
34	00777200016	BIG END OF THE CONNECTING ROD TM14	
35	00777600081	THREADED EYE 3/8 x 3/8	
36	00111250008	SELF BL. NUT M12	
37	95097000008	SHAFT TYE-ROD STEERING	
38	94010000083	OIL TANK CONNECTOR	
39	00777230004	OR RING 4081	
40	00111000189	METAL RING 20X1	
41	94010480000	OIL TANK	
42	00777600099	CLOSER PLUG 1/4	
43	00777650044	FILTER CARTRIDGE	
44	00555200123	TRANSFER PRINTING	
45	00111450003	SCREW WASHER M8X20	
46	PZ95060100000	OIL TANK SUPPORT	
47	00111000166	SELF BL. SCREW M6	
48	PZ95042000005	OIL TANK CLAMP	
49	00111450001	SCREW WASHER M8X25	
50	95598640000	KIT OIL TANK FILTER	



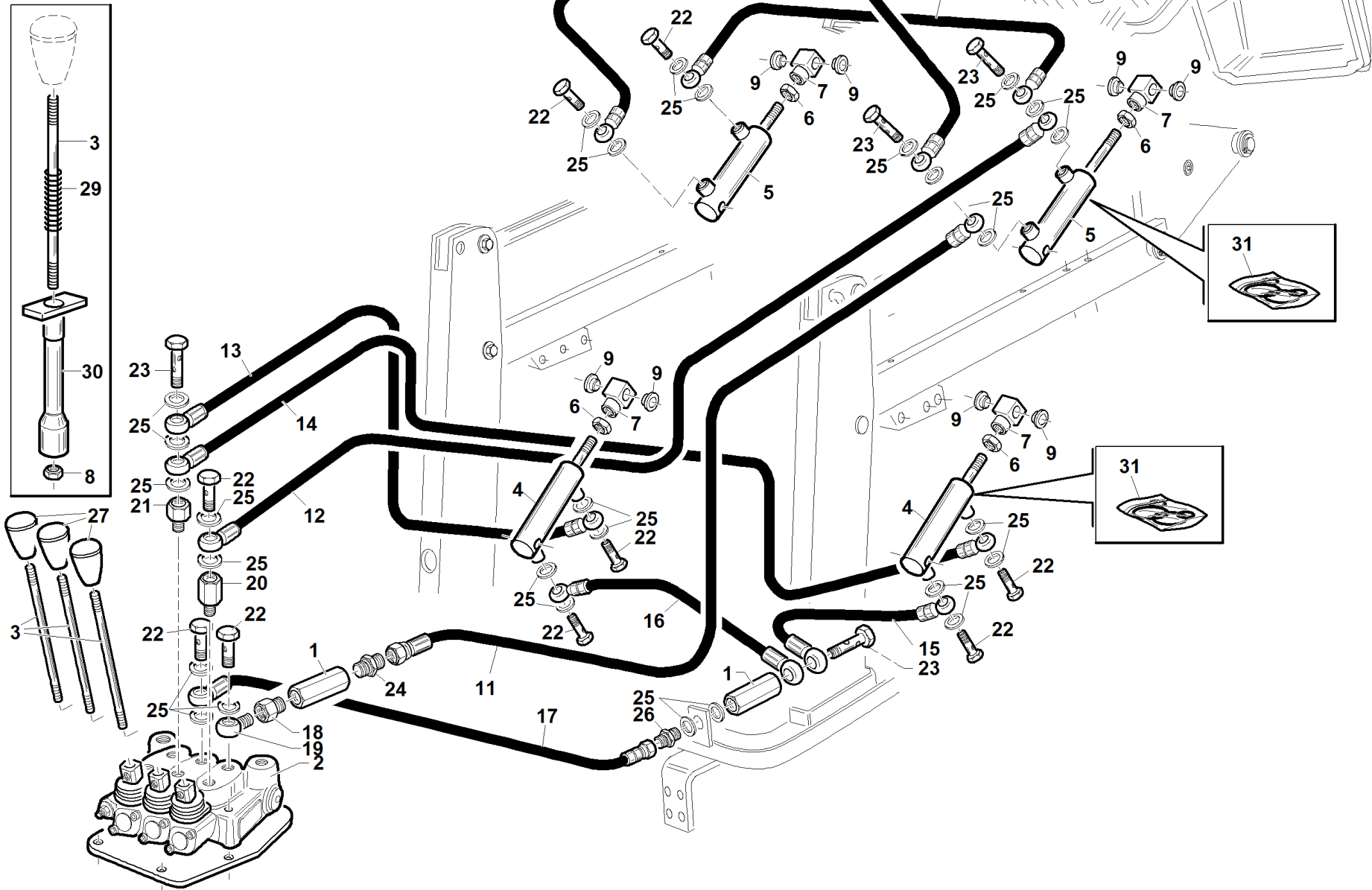
#	P/N	DESCRIPTION	PG/SR
1	95060000001	FIXING SCREW CYLINDER	
2	00111250008	SELF BL. NUT M12	
3	00777600051	VENT PLUG	
4	PZ95060000005	SUPPORT SPRING PLATE	
5	95001000060	BRASS BUSHING	
6	00111700006	PIN EL D.6X28	
7	00777600040	SIMPLE CABLE BOLT	
8	00777600001	WASHER COPPER 1/4	
9	00777600034	HOSE R1 1/4 L=460 OC1/4 OC1/4	
10	00777600073	HOSE R17 1/4 L=1010	
11	95060210000	MOWER HOISTER CYLINDER	
12	95060211000	CYLINDER GASKETS KIT IT1506	
13	00777600039	DOUBLE CABLE BOLT	
14	00111000071	SELF BLO. NUT M8	
15	00777600042	EMPTY SCREW	
16	00777600003	WASHER COPPER 3/8	
17	00777600046	FIXED VALVE	
18	00777600047	REDUCTION PCR M1/4 F3/8 L=40	
19	00777600094	VALVE	
20	00777600043	NIPPLE 1/4 X 1/4	
21	00777600108	"THREATED EYES 1/4 X 1/4"	
22	00777600114	HOSE	
23	00111450001	SCREW WASHER M8X25	

PG/SR

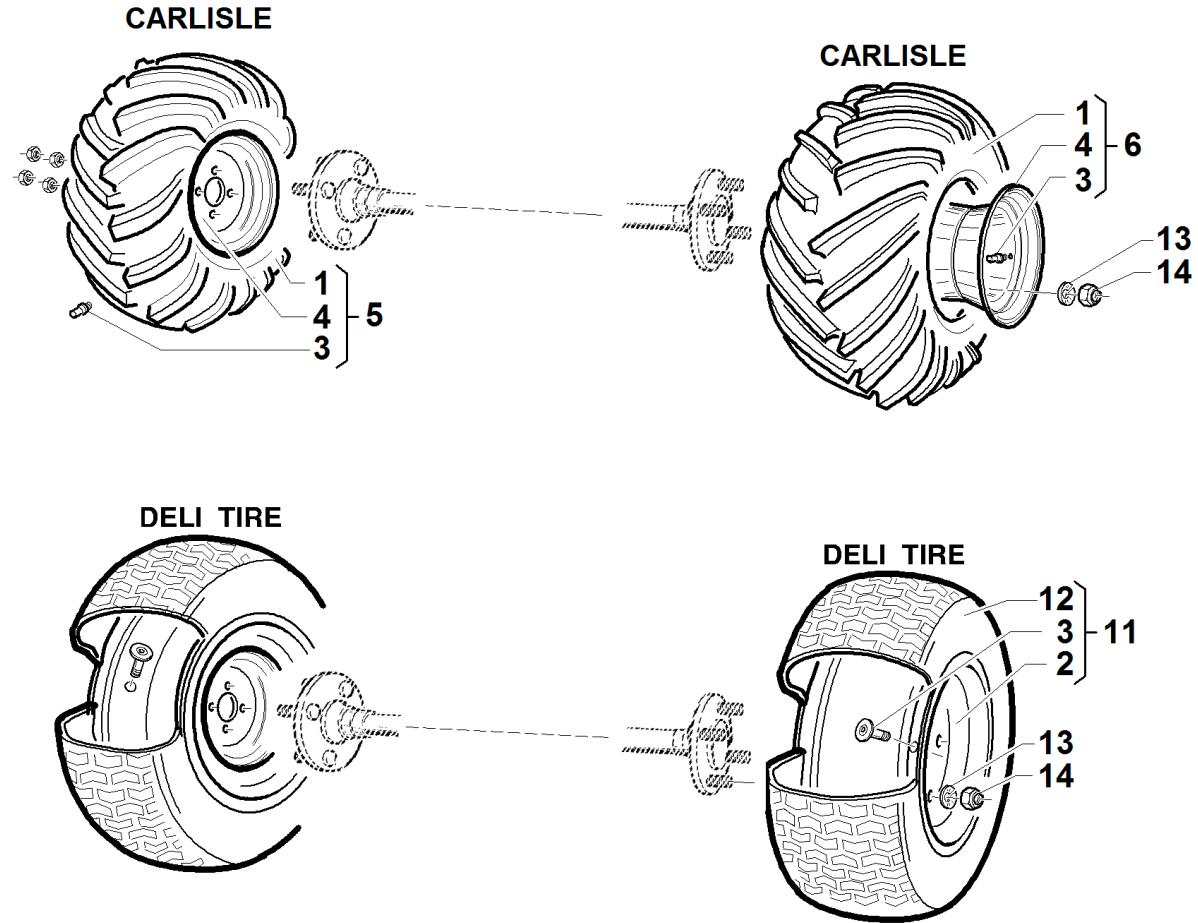


#	P/N	DESCRIPTION	PG/SR
1	00777600086	HOSE R1 L=1850	
2	00777600088	HOSE R1 L=1730	
3	00777600050	PLUG 1/4	
4	00777600028	2 LEVER DISTRIBUTOR	
5	00777601100	DISTRIBUTOR LONG LEVER	
6	00111970135	HANDGRIP D.25 M8	
7	95062000004	M8 Ch12 NUT	
8	95162000009	DISTRIBUTOR SAFETY LEVEL	
9	00777600113	DISTRIBUTOR SAFETY LEVEL SPRING	
10	00777600037	EXTENSION M/F 1/4 L=35	
11	00777600001	WASHER COPPER 1/4	
12	00777600040	SIMPLE CABLE BOLT	
13	00777600039	DOUBLE CABLE BOLT	
14	95125220000	CYLINDER	
15	00111990017	BUSHING WITH EDGE TFF 20/16,5	
16	94010000048	THREADED BUSH M16X1.5	
17	00111150005	NUT M16X1.5	
18	00777600089	HOSE R1 L=800	
19	00777600105	HOSE R1 L=750	
20	00777600108	"THREATED EYES 1/4 X 1/4"	
21	00777600094	VALVE	
22	00111450001	SCREW WASHER M8X25	
23	PZ95060000004	DISTRIBUTOR SUPPORT	
24	00111000166	SELF BL. SCREW M6	
25	00111400011	ALLEN SCREW M6X50	
26	00111000186	SCREW TSPEI M8X20	
27	95599270000	CYLINDER GASKET KIT	

PG/SR



#	P/N	DESCRIPTION	PG/SR
1	00777600094	VALVE	
2	00777600118	3 LEVER DISTRIBUTOR	
3	00777601100	DISTRIBUTOR LONG LEVER	
4	94013150000	CYLINDER	
5	95125220000	CYLINDER	
6	00111150005	NUT M16X1.5	
7	94010000048	THREADED BUSH M16X1.5	
8	95062000004	M8 Ch12 NUT	
9	00111990017	BUSHING WITH EDGE TFF 20/16,5	
10	00777600089	HOSE R1 L=800	
11	00777600090	HOSE R1 L=2400	
12	00777600091	HOSE R1 L=2600	
13	00777600086	HOSE R1 L=1850	
14	00777600087	HOSE R1 L=1350	
15	95128000002	HOSE R1 1/4 L=1250	
16	00777600088	HOSE R1 L=1730	
17	00777600092	HOSE R1 L=350	
18	00777600097	ADAPTER M/F - 1/4	
19	00777600108	"THREATED EYES 1/4 X 1/4"	
20	00777600037	EXTENSION M/F 1/4 L=35	
21	00777600095	EXTENSION M/F 1/4 L=25	
22	00777600040	SIMPLE CABLE BOLT	
23	00777600039	DOUBLE CABLE BOLT	
24	00777600043	NIPPLE 1/4 X 1/4	
25	00777600001	WASHER COPPER 1/4	
26	00777600100	EXTENSION M/M 1/4 L=35	
27	00111970135	HANDGRIP D.25 M8	
28	00777600105	HOSE R1 L=750	
29	00777600113	DISTRIBUTOR SAFETY LEVEL SPRING	
30	95162000009	DISTRIBUTOR SAFETY LEVEL	
31	95599270000	CYLINDER GASKET KIT	



DA MATRICOLA - FROM MACHINE No
DÈS LE N° DE SÉRIE - AB SERIENNUMBER
** 04320710 ***

Tav. 23	PG / SR 180 - 200	10/01/2005	Cod. 00555991755
----------------	-------------------	------------	-------------------------

Pos.	CODICE/ CODE
01	00111940021
02	95046200001
03	00111930006
04	95175100000
05	95218100000
06	95218110000
11	95046200000
12	00111940009
13	00111550004
14	00111250009

#

P/N

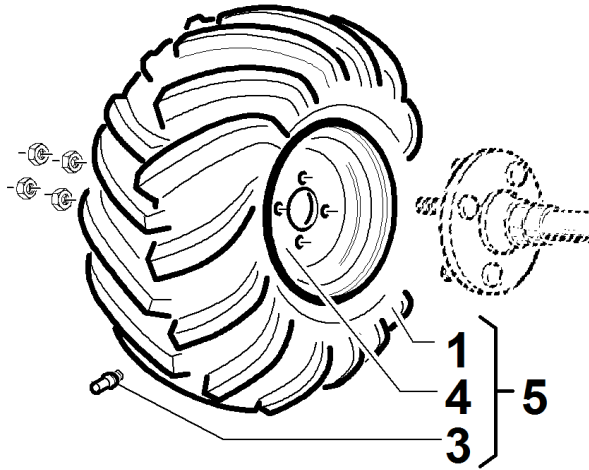
DESCRIPTION

REF. 23

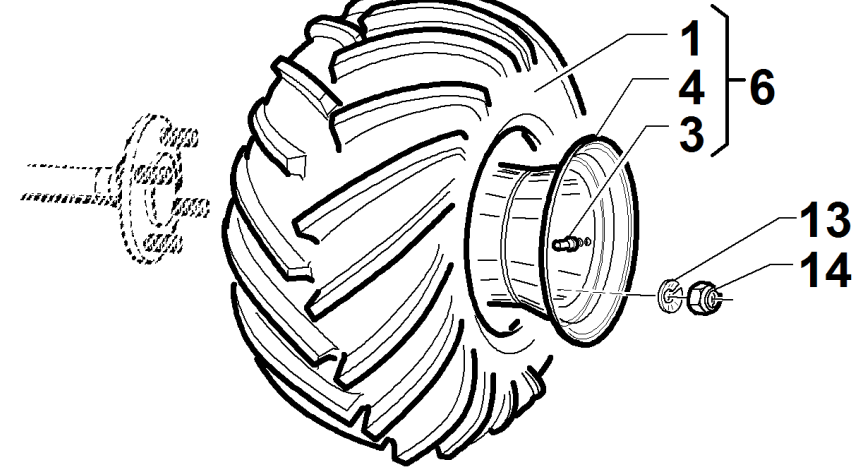
#	P/N	DESCRIPTION	REF. 23

PG/SR

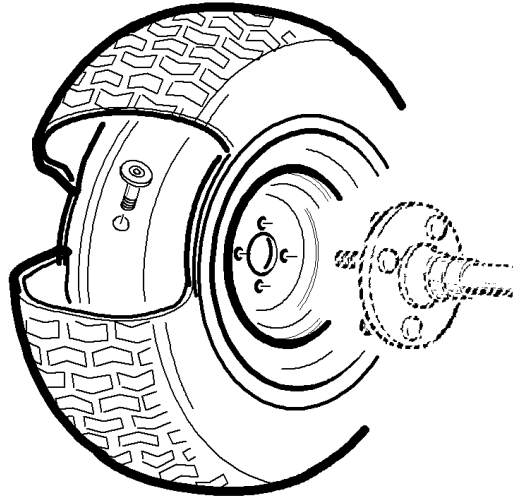
CARLISLE



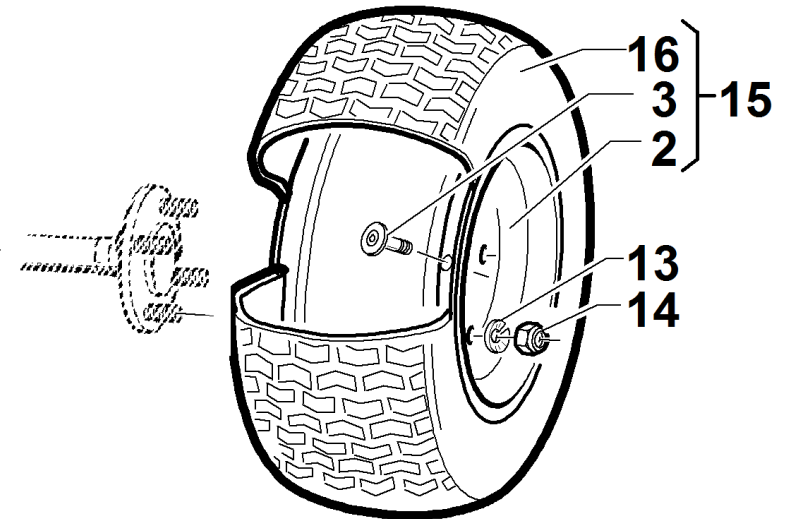
CARLISLE



CARLISLE



CARLISLE



S/N

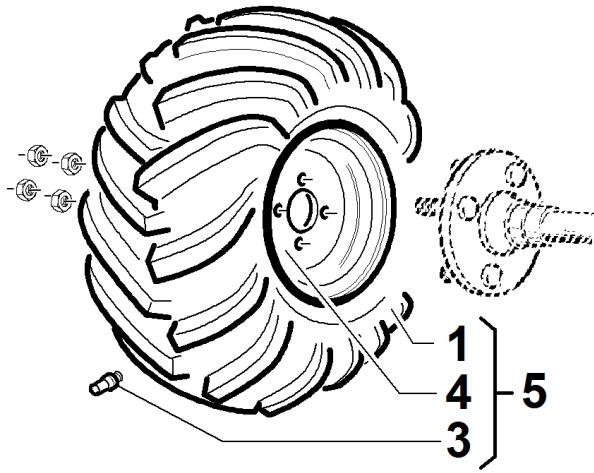
→05361708÷ 06401606←

REF. 23 - 00555991756

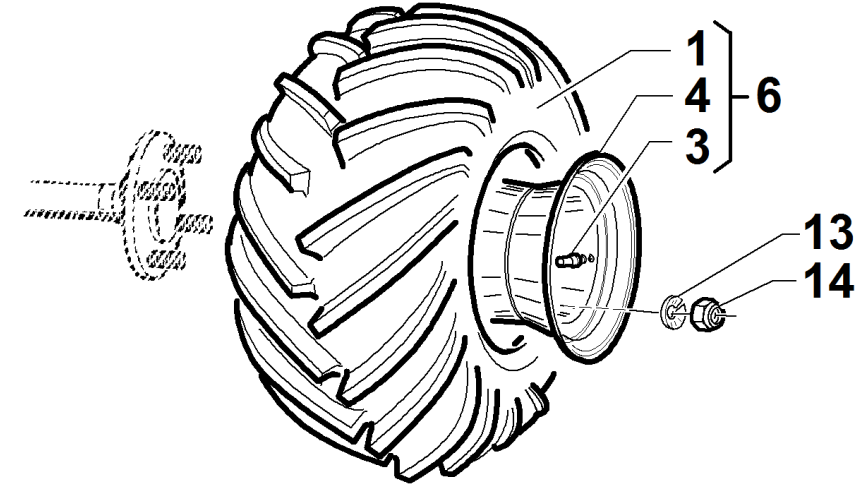
#	P/N	DESCRIPTION	PG/SR
1	00111940021	21x11.00-8 CLAWED TIRE	
2	95046200001	RIM 7.00X8	
3	00111930006	TUBELESS VALVE TR413	
4	95175100000	RIM 10.00 X 8" L=266	
5	95218100000	WHEEL DX21X11.00-8 CARLISLE	
6	95218110000	LEFT COMPLETE WHEEL 21x11.00-8	
13	00111550004	ELASTIC WASHER M12	
14	00111250009	SELF BL. NUT M12X1.5	
15	95208110000	CARLISE WHEEL 20X10.00-8	
16	95208110001	20x10.00-8 TYRE	

PG/SR

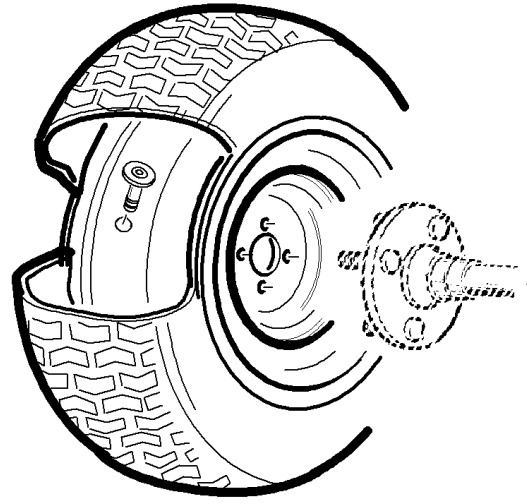
CARLISLE



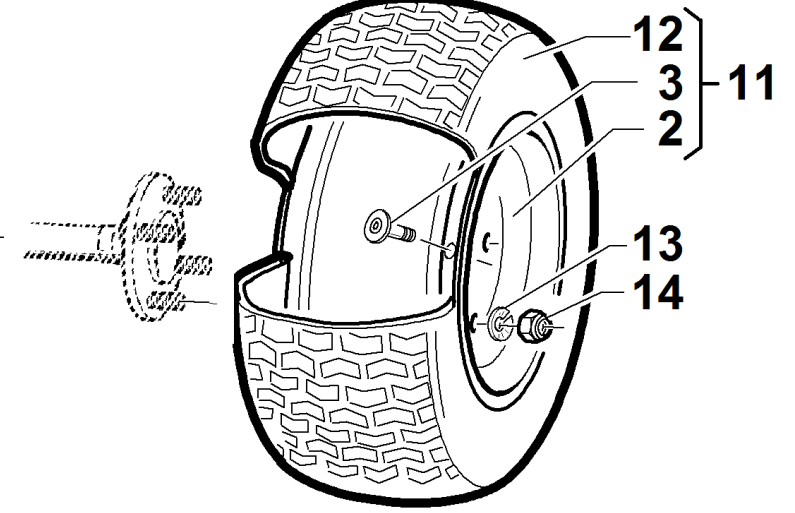
CARLISLE



DELI TIRE



DELI TIRE



S/N
 →04320710÷ 05361608←

REF. 23 - 00555991755

#

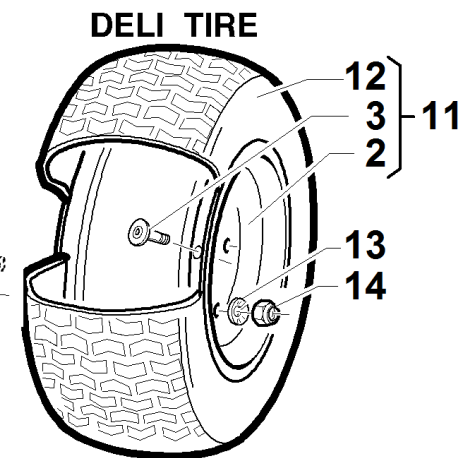
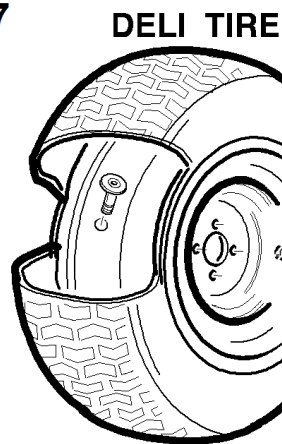
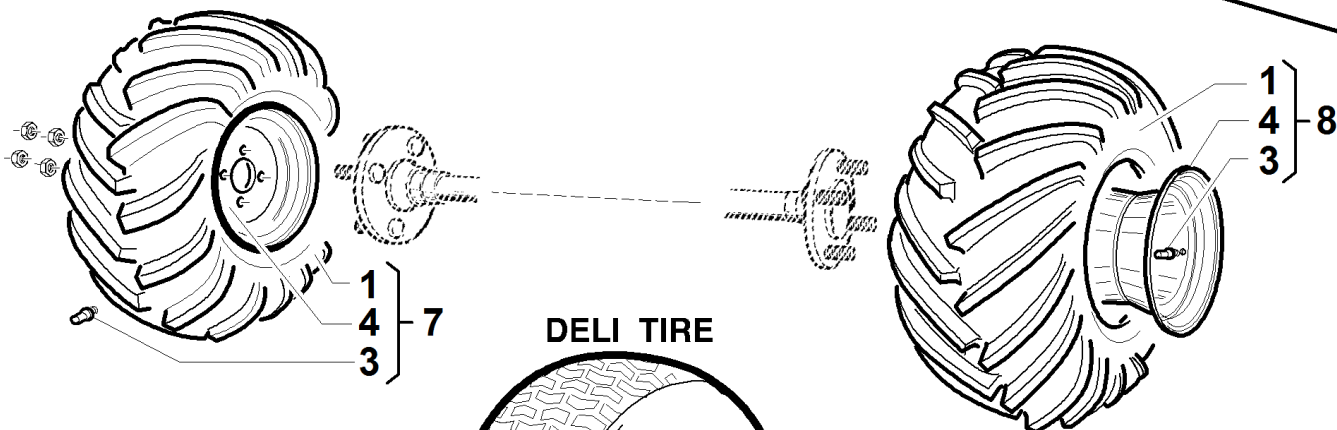
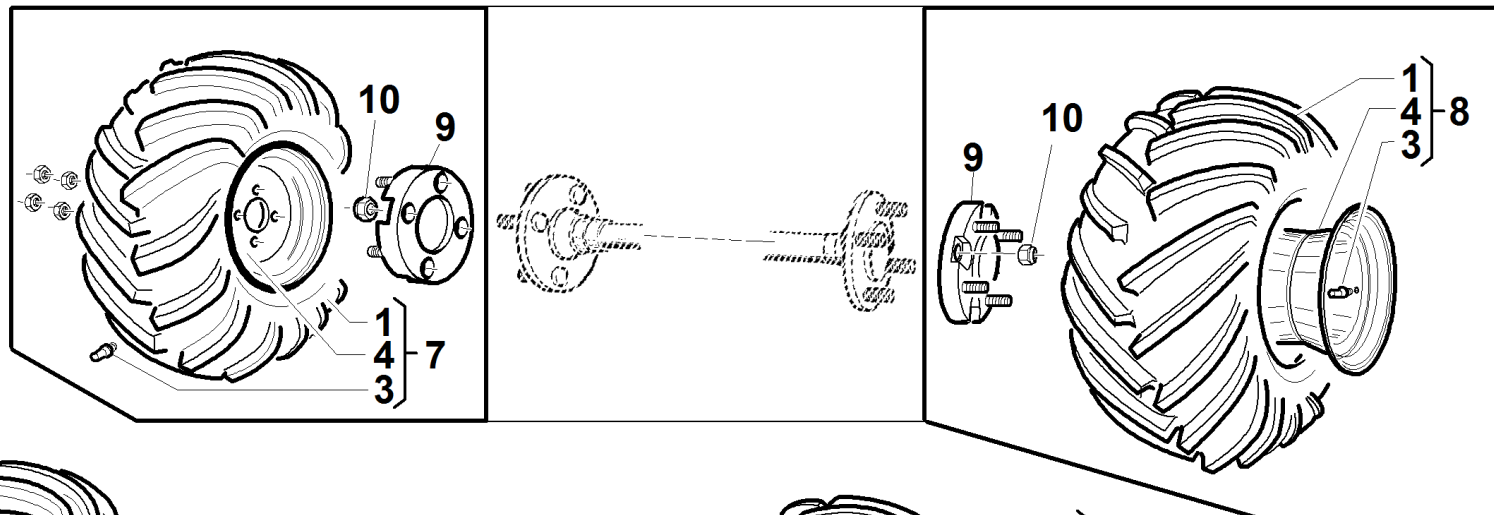
P/N

DESCRIPTION

PG/SR

1	00111940021	21x11.00-8 CLAWED TIRE	
2	95046200001	RIM 7.00X8	
3	00111930006	TUBELESS VALVE TR413	
4	95175100000	RIM 10.00 X 8" L=266	
5	95218100000	WHEEL DX21X11.00-8 CARLISLE	
6	95218110000	LEFT COMPLETE WHEEL 21x11.00-8	
11	95208110000	CARLISE WHEEL 20X10.00-8	
12	95208110001	20x10.00-8 TYRE	
13	00111550004	ELASTIC WASHER M12	
14	00111250009	SELF BL. NUT M12X1.5	

PG/SR

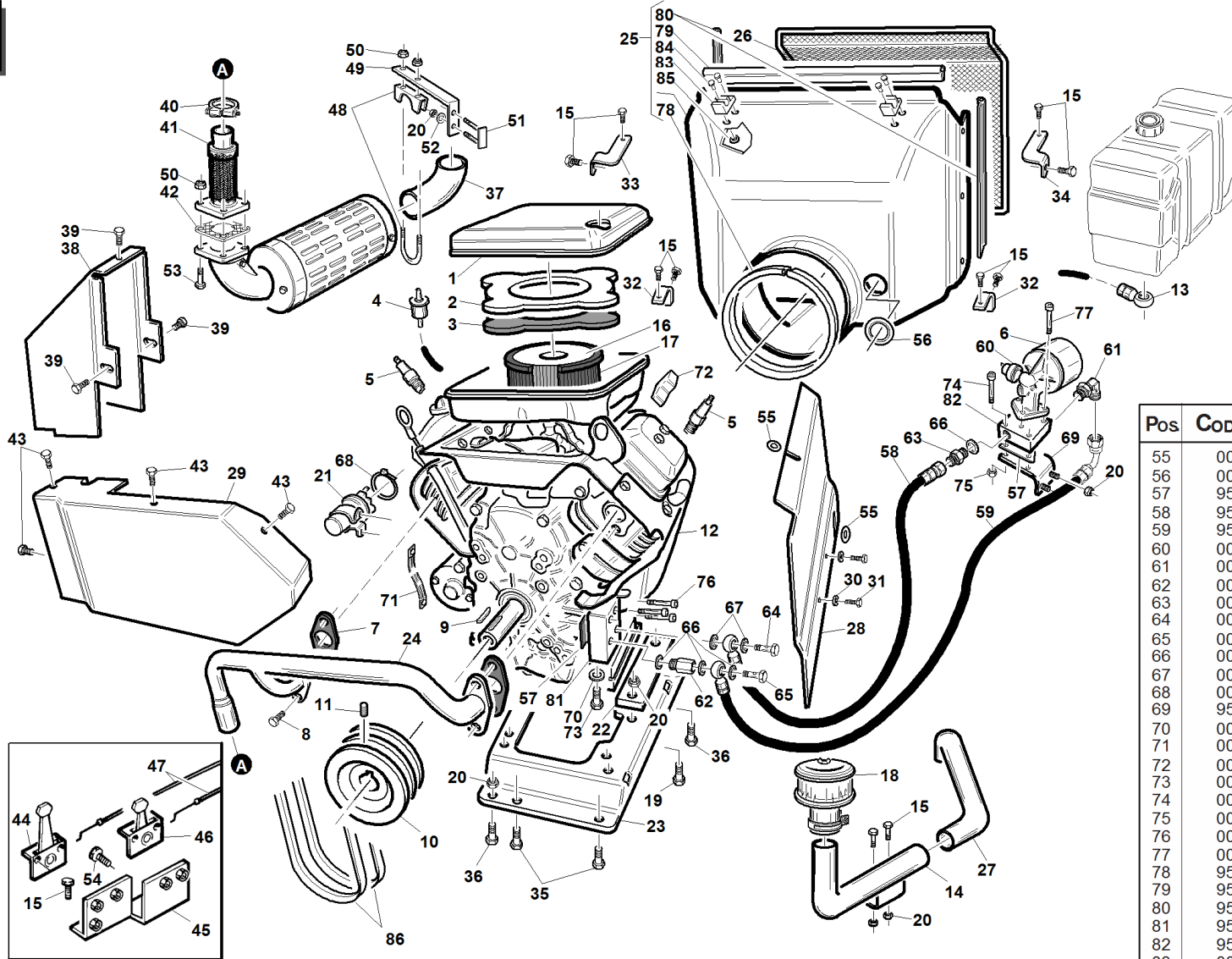


S/N

→03276107÷ 04320610←

REF. 23 - 00555991737

#	P/N	DESCRIPTION	PG/SR
1	00111940021	21x11.00-8 CLAWED TIRE	
2	95046200001	RIM 7.00X8	
3	00111930006	TUBELESS VALVE TR413	
4	95175100000	RIM 10.00 X 8" L=266	
5	95175000000		
6	95176000000		
7	95218100000	WHEEL DX21X11.00-8 CARLISLE	
8	95218110000	LEFT COMPLETE WHEEL 21x11.00-8	
9	95112100000	WHEEL SPACER	
10	00111250016	SELF BL. NUT UNI 7474	
11	95208110000	CARLISE WHEEL 20X10.00-8	
12	95208110001	20x10.00-8 TYRE	
13	00111550004	ELASTIC WASHER M12	
14	00111250009	SELF BL. NUT M12X1.5	



Tav.	26	PG / SR 180 BRIGGS&STRATON	10/01/2005	Cod. 00555991740
-------------	-----------	---------------------------------------	-------------------	-------------------------

Pos.	CODICE/ CODE
01	9559900001
02	PZ95001000075
03	00555300002
04	00777650013
05	00777750001
06	00777650001
07	00111990009
08	00111000093
09	00111990008
10	95042110001
11	00111960002
12	95042112000
13	95210000007
14	95179110000
15	00111450003
16	00777650002
17	00777650003
18	00777650029
19	00111300020
20	00111000071
21	95180101100
22	95104000002
23	95104000003
24	95180101000
25	95180150000
26	95104110000
27	95104000007
28	95104120000
29	95180110000
30	00111000087
31	00111300015
32	95104140000
33	95104150000
34	95104160000
35	00111300052
36	00111300064
37	95104000010
38	95210110000
39	00111450005
40	00111810028
41	95104170000
42	00111990086
43	00111450010
44	00111990037
45	PZ95070110000
46	00111000192
47	95180000001
48	00111810025
49	95124000008
50	00111250018
51	95124160000
52	00111000037
53	00111000094
54	00111000184

Pos.	CODICE/ CODE
55	00111970010
56	00111970128
57	95180100004
58	95180000002
59	95180100001
60	00777700021
61	00777600115
62	00777600095
63	00777600043
64	00777600042
65	00777600040
66	00777600001
67	00777600003
68	00111810024
69	95180200000
70	00777600116
71	00777800165
72	00777700022
73	00111450004
74	00111400015
75	00111000166
76	00111400040
77	00111400001
78	95210000004
79	95210000002
80	95210000003
81	95180100002
82	95180100003
83	00111970143
84	00111800013
85	00111500014
86	99104000006

#

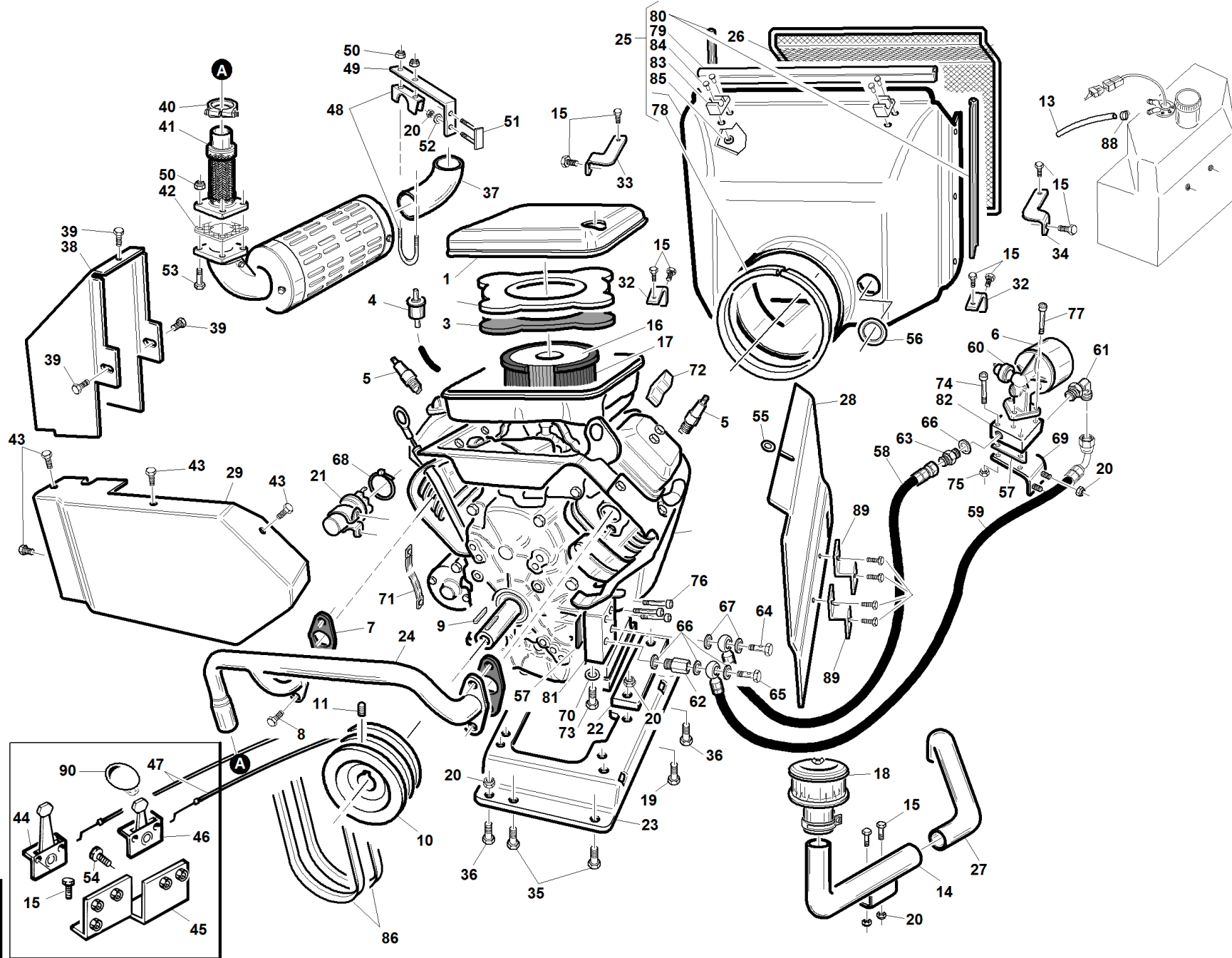
P/N

DESCRIPTION

REF. 26

#	P/N	DESCRIPTION	REF. 26

PG/SR



S/N

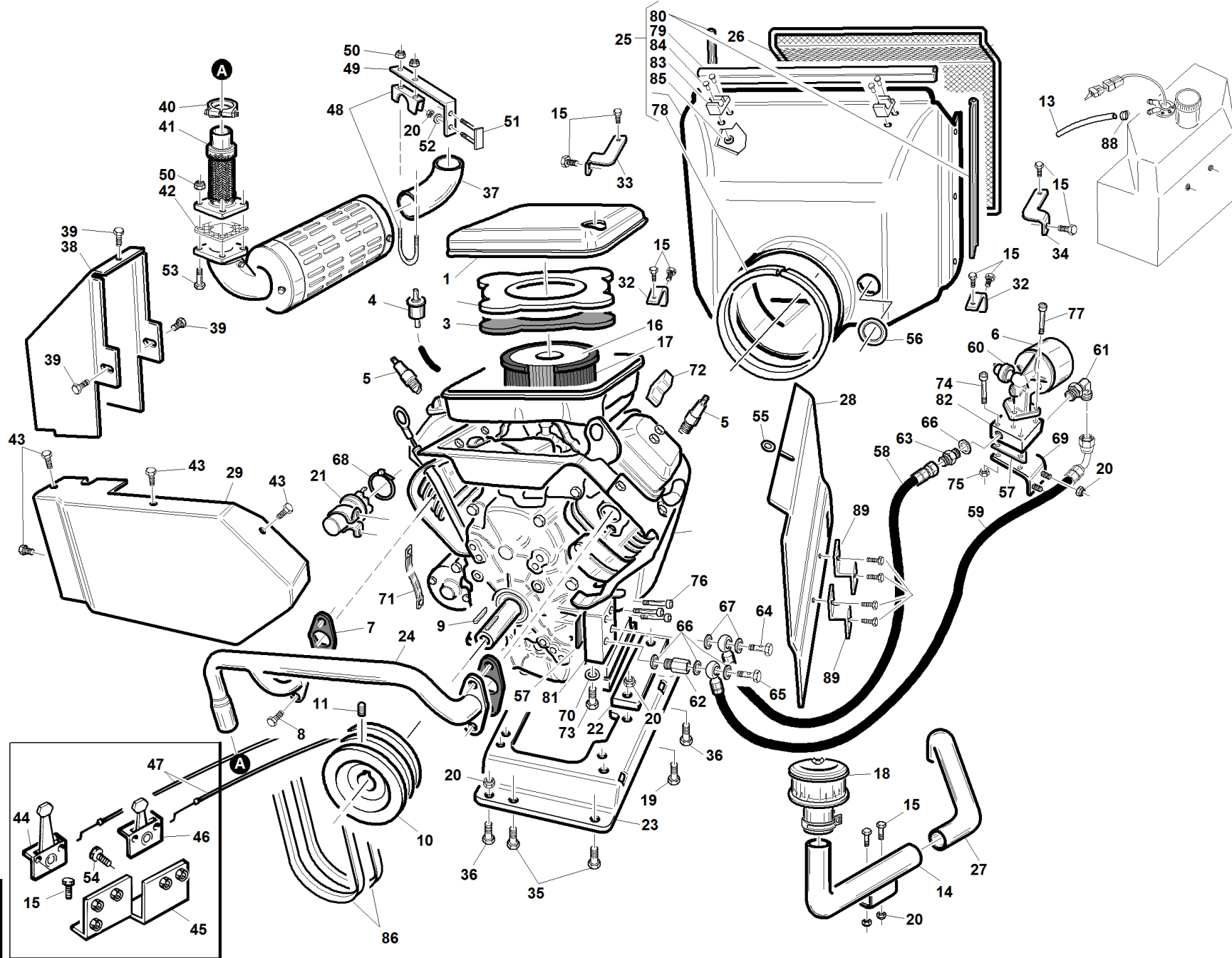
→05358407 ÷ 06401606←

REF. 26 - 00555991760

#	P/N	DESCRIPTION	PG/SR	REF. 26 - 00555991760
1	95599000001	DRILLED COVER		
3	00555300002	AIR FILTER WASHER		
4	00777650013	PETROL FILTER 16-18 HP		
5	00777750001	SPARK PLUG 491055		
6	00777650001	OIL FILTER 9/18 HP		
7	00111990009	EXHAUST GASKET		
8	00111000093	SCREW TE M8X20		
9	00111990008	PIN KEY 1/4X1/4X38		
10	95042110001	ENGINE PULLEY		
11	00111960002	GRUB M8X16		
13	95210000009	PETROL INTAKE HOSE		
14	95179110000	AIR CONNECTION HOSE		
15	00111450003	SCREW WASHER M8X20		
16	00777650002	AIR FILTER CARTRIDGE		
17	00777650003	B&S 16HP PRE-FILTER		
18	00777650029	CYCLONE PRECLEANER		
19	00111300020	SCREW TE M8X70		
20	00111000071	SELF BLO. NUT M8		
21	95180101100	SOLENOID STARTER 12V 80A		
22	95104000002			
23	95104000003	PG GASOLINE ENGINE SUPPORT		
24	95180101000	EXHAUST COLLECTOR B&S		
25	95180150000	CONVEYOR		
26	95104110000	AIR ASPIRATION GRID		
27	95104000007	AIR FILTER HOSE B&S		
28	95180120000	B&S TANK BUMPER		
29	95180110000	DISCHARGE AIR CONVEYOR		
32	95104140000			
33	95104150000			
34	95104160000			
35	00111300052	SCREW TE UNI 5739		
36	00111300064	SCREW M8X25		
37	95104000010	EXHAUST END		
38	95210110000	EXHAUST AIR PIPE		
39	00111450005	SCREW/W M6X16		
40	00111810028	COLLECTOR EXHAUST CLAMP D33		
41	95104170000	FLEXIBLE COLLECTOR		
42	00111990086	KUBOTA MAINFOLD EXHAUST GASKET		
43	00111450010	SCREW/W M6X10		
44	00111990104	THROTTLE LEVER WITH BLACK KNOB		
45	95210170000			
46	00111000192	ACCELERATOR LEVER		
47	95180000001	B & S STARTER CABLE		
48	00111810025	EXHAUST CLAMP D=42		
49	95124000008	MUFFLER SUPPORT BRACKET		
50	00111250018	NUT "CONEKLOK" M8		
51	95124160000	MUFFLER FIXING PLATE		
52	00111000037	WASHER 6.6X18X2		
53	00111000094	SCREW TE M8X40		
53	00111400039	ALLEN SCREW M8X40		
54	00111000184	SCREW TE M5X10		
55	00111970010	RUBBER EDGE 14X18X23		
56	00111970128	FAIRLEAD UPRIGHT		
57	95180100004	OIL FILTER GASKET		
58	95180000002	HOSE 1/4 L=480		
59	95180100001	HOSE 1/4 L=620		
60	00777700021	18 HP PRESSURE SWITCH		
61	00777600115	MALE ELBOW 90° 3/8		
62	00777600095	EXTENSION M/F 1/4 L=25		

#	P/N	DESCRIPTION	PG/SR
63	00777600043	NIPPLE 1/4 X 1/4	
64	00777600042	EMPTY SCREW	
65	00777600040	SIMPLE CABLE BOLT	
66	00777600001	WASHER COPPER 1/4	
67	00777600003	WASHER COPPER 3/8	
68	00111810024	CLAMP	
69	95180200000	FILTER SUPPORT ANGLE	
70	00777600116	COPPER WASHER 8X14X1	
71	00777800165	TG TECh EARTH CABLE	
72	00777700022	18 HP AIR CONVEYOR CAP	
73	00111450004	SCREW WASHER M8X12	
74	00111400015	ALLEN SCREW M6X40	
75	00111000166	SELF BL. SCREW M6	
76	00111400040	ALLEN SCREW TCEI M6 X 30	
77	00111400001	ALLEN SCREW M6X20	
78	95210000004		
79	95210000002		
80	95210000003		
81	95180100002	18 HP OIL FILTER CONNECTOR	
82	95180100003	18 HP OIL FILTER FLANGE	
83	00111970047	HOLDFAST -82058-	
84	00111800013	RIVET D.4,8X14	
85	00111500014		
86	99104000006	BELT GATES SPA 800	
88	00111810010	CLAMP 10-16 TYPE NORMA	
89	95210000008	SUPPORT	
90	00111610003	RED STARTER LEVEL KNOB	

PG/SR



S/N

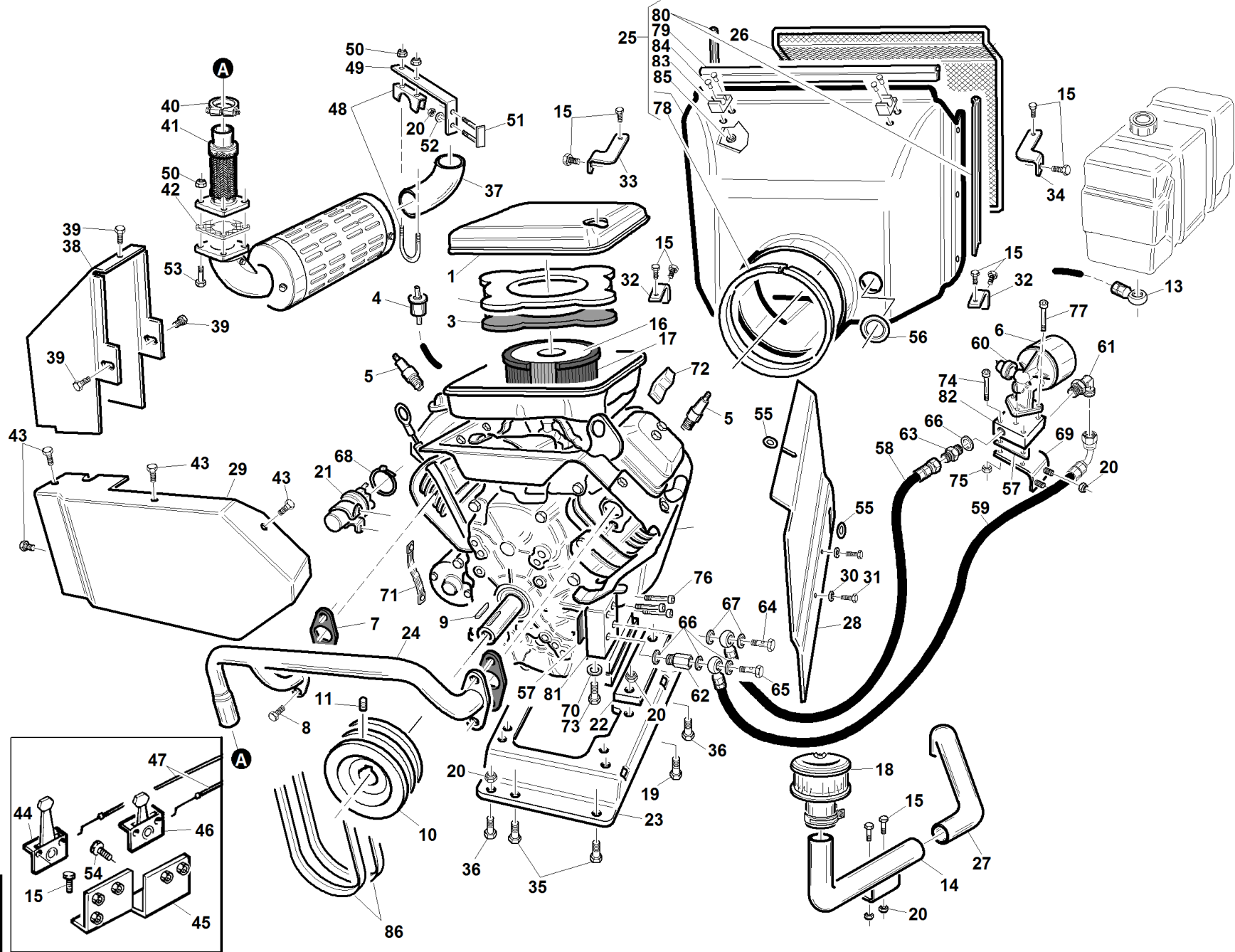
→04320110÷ 05358307←

REF. 26 - 00555991753

#	P/N	DESCRIPTION	PG/SR	REF. 26 - 00555991753
1	95599000001	DRILLED COVER		
3	00555300002	AIR FILTER WASHER		
4	00777650013	PETROL FILTER 16-18 HP		
5	00777750001	SPARK PLUG 491055		
6	00777650001	OIL FILTER 9/18 HP		
7	00111990009	EXHAUST GASKET		
8	00111000093	SCREW TE M8X20		
9	00111990008	PIN KEY 1/4X1/4X38		
10	95042110001	ENGINE PULLEY		
11	00111960002	GRUB M8X16		
13	95210000009	PETROL INTAKE HOSE		
14	95179110000	AIR CONNECTION HOSE		
15	00111450003	SCREW WASHER M8X20		
16	00777650002	AIR FILTER CARTRIDGE		
17	00777650003	B&S 16HP PRE-FILTER		
18	00777650029	CYCLONE PRECLEANER		
19	00111300020	SCREW TE M8X70		
20	00111000071	SELF BLO. NUT M8		
21	95180101100	SOLENOID STARTER 12V 80A		
22	95104000002			
23	95104000003	PG GASOLINE ENGINE SUPPORT		
24	95180101000	EXHAUST COLLECTOR B&S		
25	95180150000	CONVEYOR		
26	95104110000	AIR ASPIRATION GRID		
27	95104000007	AIR FILTER HOSE B&S		
28	95180120000	B&S TANK BUMPER		
29	95180110000	DISCHARGE AIR CONVEYOR		
32	95104140000			
33	95104150000			
34	95104160000			
35	00111300052	SCREW TE UNI 5739		
36	00111300064	SCREW M8X25		
37	95104000010	EXHAUST END		
38	95210110000	EXHAUST AIR PIPE		
39	00111450005	SCREW/W M6X16		
40	00111810028	COLLECTOR EXHAUST CLAMP D33		
41	95104170000	FLEXIBLE COLLECTOR		
42	00111990086	KUBOTA MAINFOLD EXHAUST GASKET		
43	00111450010	SCREW/W M6X10		
44	00111990037	LONG LEVER ACCELERATOR		
45	PZ95070110000	ACCELERATOR SUPPORT		
46	00111000192	ACCELERATOR LEVER		
47	95180000001	B & S STARTER CABLE		
48	00111810025	EXHAUST CLAMP D=42		
49	95124000008	MUFFLER SUPPORT BRACKET		
50	00111250018	NUT "CONEKLOK" M8		
51	95124160000	MUFFLER FIXING PLATE		
52	00111000037	WASHER 6.6X18X2		
53	00111000094	SCREW TE M8X40		
53	00111400039	ALLEN SCREW M8X40		
54	00111000184	SCREW TE M5X10		
55	00111970010	RUBBER EDGE 14X18X23		
56	00111970128	FAIRLEAD UPRIGHT		
57	95180100004	OIL FILTER GASKET		
58	95180000002	HOSE 1/4 L=480		
59	95180100001	HOSE 1/4 L=620		
60	00777700021	18 HP PRESSURE SWITCH		
61	00777600115	MALE ELBOW 90° 3/8		
62	00777600095	EXTENSION M/F 1/4 L=25		

#	P/N	DESCRIPTION	PG/SR
63	00777600043	NIPPLE 1/4 X 1/4	
64	00777600042	EMPTY SCREW	
65	00777600040	SIMPLE CABLE BOLT	
66	00777600001	WASHER COPPER 1/4	
67	00777600003	WASHER COPPER 3/8	
68	00111810024	CLAMP	
69	95180200000	FILTER SUPPORT ANGLE	
70	00777600116	COPPER WASHER 8X14X1	
71	00777800165	TG TECh EARTH CABLE	
72	00777700022	18 HP AIR CONVEYOR CAP	
73	00111450004	SCREW WASHER M8X12	
74	00111400015	ALLEN SCREW M6X40	
75	00111000166	SELF BL. SCREW M6	
76	00111400040	ALLEN SCREW TCEI M6 X 30	
77	00111400001	ALLEN SCREW M6X20	
78	95210000004		
79	95210000002		
80	95210000003		
81	95180100002	18 HP OIL FILTER CONNECTOR	
82	95180100003	18 HP OIL FILTER FLANGE	
83	00111970047	HOLDFAST -82058-	
84	00111800013	RIVET D.4,8X14	
85	00111500014		
86	99104000006	BELT GATES SPA 800	
88	00111810010	CLAMP 10-16 TYPE NORMA	
89	95210000008	SUPPORT	

PG/SR



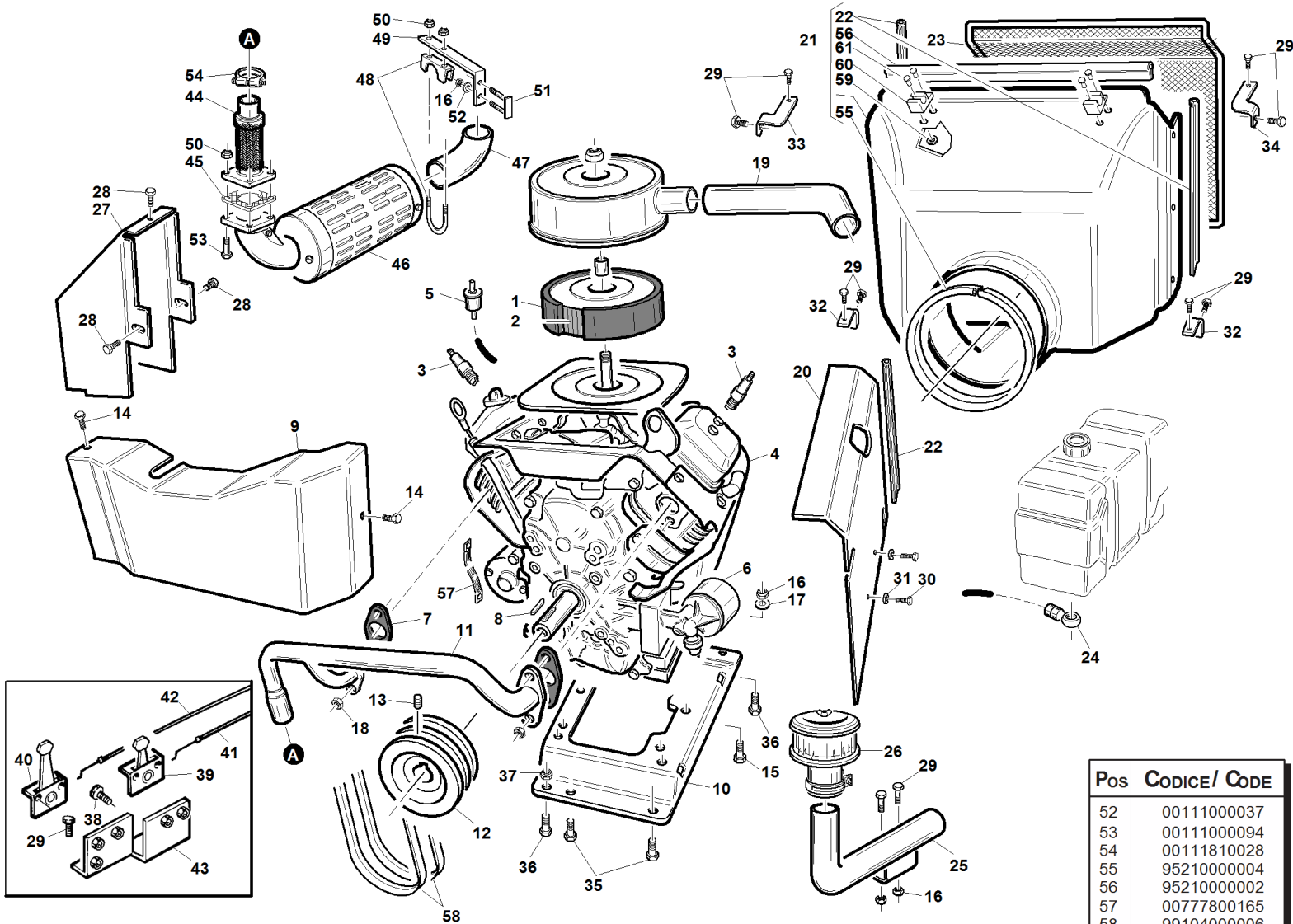
S/N

→03276107 ÷ 04320010←

REF. 26 - 00555991740

#	P/N	DESCRIPTION	PG/SR	REF. 26 - 00555991740
1	95599000001	DRILLED COVER		
3	00555300002	AIR FILTER WASHER		
4	00777650013	PETROL FILTER 16-18 HP		
5	00777750001	SPARK PLUG 491055		
6	00777650001	OIL FILTER 9/18 HP		
7	00111990009	EXHAUST GASKET		
8	00111000093	SCREW TE M8X20		
9	00111990008	PIN KEY 1/4X1/4X38		
10	95042110001	ENGINE PULLEY		
11	00111960002	GRUB M8X16		
13	95210000007	PETROL INTAKE HOSE		
14	95179110000	AIR CONNECTION HOSE		
15	00111450003	SCREW WASHER M8X20		
16	00777650002	AIR FILTER CARTRIDGE		
17	00777650003	B&S 16HP PRE-FILTER		
18	00777650029	CYCLONE PRECLEANER		
19	00111300020	SCREW TE M8X70		
20	00111000071	SELF BLO. NUT M8		
21	95180101100	SOLENOID STARTER 12V 80A		
22	95104000002			
23	95104000003	PG GASOLINE ENGINE SUPPORT		
24	95180101000	EXHAUST COLLECTOR B&S		
25	95180150000	CONVEYOR		
26	95104110000	AIR ASPIRATION GRID		
27	95104000007	AIR FILTER HOSE B&S		
28	95104120000	B & S. TANK BUMPER		
29	95180110000	DISCHARGE AIR CONVEYOR		
30	00111000087	WASHER P.8,4X15.6X1,5		
31	00111300015	SCREW TE M8X55		
32	95104140000			
33	95104150000			
34	95104160000			
35	00111300052	SCREW TE UNI 5739		
36	00111300064	SCREW M8X25		
37	95104000010	EXHAUST END		
38	95210110000	EXHAUST AIR PIPE		
39	00111450005	SCREW/W M6X16		
40	00111810028	COLLECTOR EXHAUST CLAMP D33		
41	95104170000	FLEXIBLE COLLECTOR		
42	00111990086	KUBOTA MAINFOLD EXHAUST GASKET		
43	00111450010	SCREW/W M6X10		
44	00111990037	LONG LEVER ACCELERATOR		
45	PZ95070110000	ACCELERATOR SUPPORT		
46	00111000192	ACCELERATOR LEVER		
47	95180000001	B & S STARTER CABLE		
48	00111810025	EXHAUST CLAMP D=42		
49	95124000008	MUFFLER SUPPORT BRACKET		
50	00111250018	NUT "CONEKLOK" M8		
51	95124160000	MUFFLER FIXING PLATE		
52	00111000037	WASHER 6.6X18X2		
53	00111000094	SCREW TE M8X40		
53	00111400039	ALLEN SCREW M8X40		
54	00111000184	SCREW TE M5X10		
55	00111970010	RUBBER EDGE 14X18X23		
56	00111970128	FAIRLEAD UPRIGHT		
57	95180100004	OIL FILTER GASKET		
58	95180000002	HOSE 1/4 L=480		
59	95180100001	HOSE 1/4 L=620		
60	00777700021	18 HP PRESSURE SWITCH		

#	P/N	DESCRIPTION	PG/SR
61	00777600115	MALE ELBOW 90° 3/8	
62	00777600095	EXTENSION M/F 1/4 L=25	
63	00777600043	NIPPLE 1/4 X 1/4	
64	00777600042	EMPTY SCREW	
65	00777600040	SIMPLE CABLE BOLT	
66	00777600001	WASHER COPPER 1/4	
67	00777600003	WASHER COPPER 3/8	
68	00111810024	CLAMP	
69	95180200000	FILTER SUPPORT ANGLE	
70	00777600116	COPPER WASHER 8X14X1	
71	00777800165	TG TECH EARTH CABLE	
72	00777700022	18 HP AIR CONVEYOR CAP	
73	00111450004	SCREW WASHER M8X12	
74	00111400015	ALLEN SCREW M6X40	
75	00111000166	SELF BL. SCREW M6	
76	00111400040	ALLEN SCREW TCEI M6 X 30	
77	00111400001	ALLEN SCREW M6X20	
78	95210000004		
79	95210000002		
80	95210000003		
81	95180100002	18 HP OIL FILTER CONNECTOR	
82	95180100003	18 HP OIL FILTER FLANGE	
83	00111970047	HOLDFAST -82058-	
84	00111800013	RIVET D.4,8X14	
85	00111500014		
86	99104000006	BELT GATES SPA 800	



Pos.	CODICE/ CODE
01	00777650035
02	00777650036
03	00777750004
04	95103121000
05	00777650048
06	00777650032
07	00111990061
08	00111990008
09	95103160000
10	95104000003
11	95179101000
12	95042110001
13	00111960002
14	00111450010
15	00111000129
16	00111000071
17	00111000061
18	00111000082
19	95103000007
20	95103170000
21	95179150000
22	95210000003
23	95104110000
24	95210000007
25	95179110000
26	00777650029
27	95210110000
28	00111450005
29	00111450003
30	00111300015
31	00111000087
32	95104140000
33	95104150000
34	95104160000
35	00111300052
36	00111300064
37	00111250014
38	00111000184
39	00111000192
40	00111990037
41	95104000005
42	95179000001
43	PZ95070110000
44	95104170000
45	00111990086
46	00111990077
47	95104000010
48	00111810025
49	95124000008
50	00111250018
51	95124160000
52	00111000037
53	00111000094
54	00111810028
55	95210000004
56	95210000002
57	00777800165
58	99104000006
59	00111500014
60	00111970143
61	00111800013

Tav.	27	PG / SR 200 KOHLER	10/01/2005	Cod. 00555991741
------	----	--------------------	------------	------------------

#

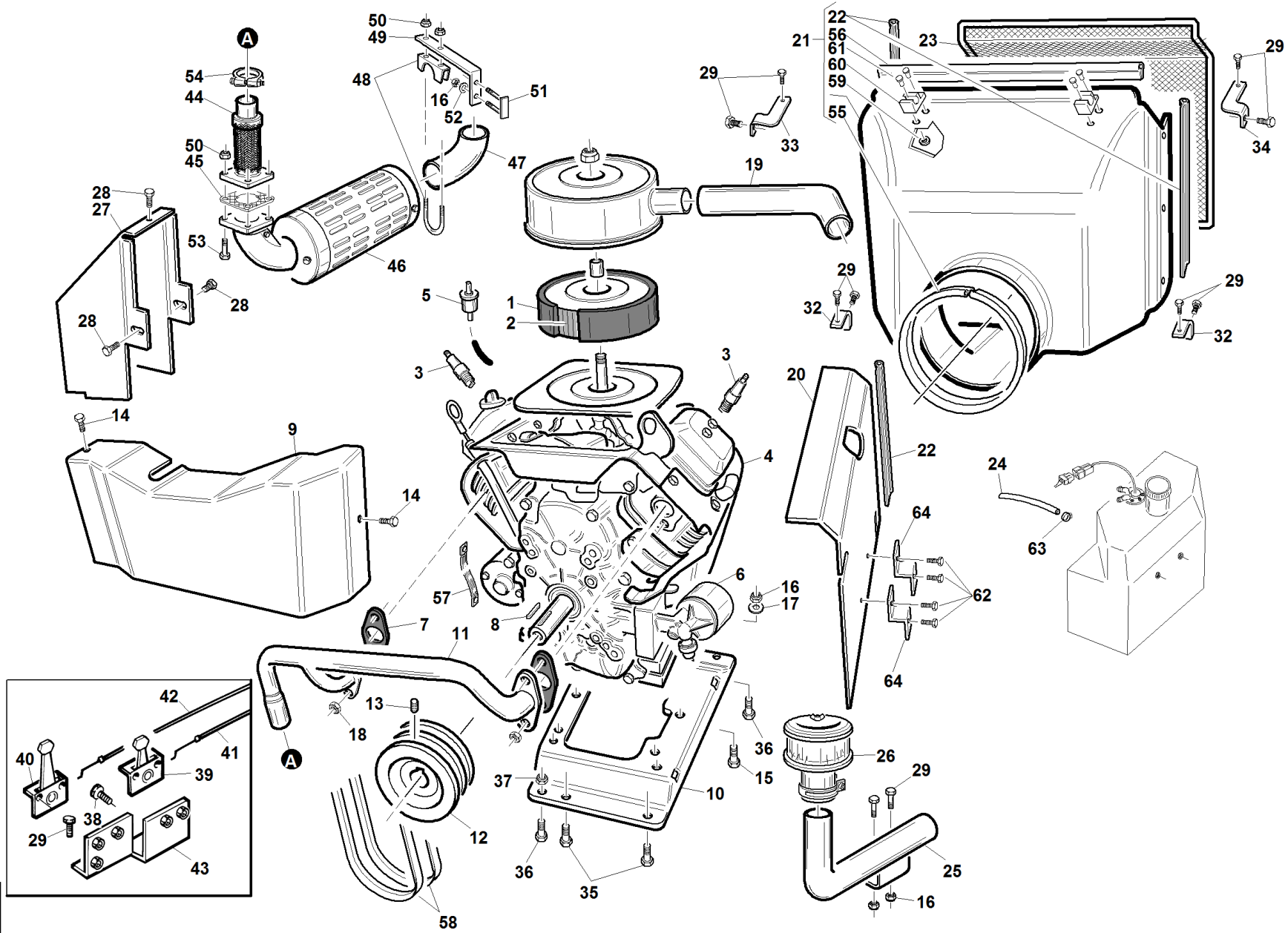
P/N

DESCRIPTION

REF. 27

#	P/N	DESCRIPTION	REF. 27

PG/SR



S/N

→05358407 ÷ 06401606←

REF. 27 - 00555991761

#	P/N	DESCRIPTION	PG/SR
1	00777650035	KOHLER 20 HP AIR PRE FILTER	
2	00777650036	KOHLER AIR FILTER	
3	00777750004	KOHLER SPARK PLUG 15 HP	
4	95103121000	KOHLER ENGINE	
5	00777650048	FUEL FILTER	
6	00777650032	KOHLER OIL FILTER	
7	00111990061	KOHLER EXHAUST GASKET	
8	00111990008	PIN KEY 1/4X1/4X38	
9	95103160000	KOHLER AIR CONVEYOR	
10	95104000003	PG GASOLINE ENGINE SUPPORT	
11	95179101000	EXHAUST COLLECTOR KOHLER	
12	95042110001	ENGINE PULLEY	
13	00111960002	GRUB M8X16	
14	00111450010	SCREW/W M6X10	
15	00111000129	SCREW UNI 5737	
16	00111000071	SELF BLO. NUT M8	
17	00111000061	WASHER 8.4X24X2	
18	00111000082	NUT M8	
19	95103000007	KOHLER AIR FILTER	
20	95179120000	KOHLER TENK BUMPER	
21	95179150000	KOHLER CONVEYOR	
22	95210000003		
23	95104110000	AIR ASPIRATION GRID	
24	95210000009	PETROL INTAKE HOSE	
25	95179110000	AIR CONNECTION HOSE	
26	00777650029	CYCLONE PRECLEANER	
27	95210110000	EXHAUST AIR PIPE	
28	00111450005	SCREW/W M6X16	
29	00111450003	SCREW WASHER M8X20	
32	95104140000		
33	95104150000		
34	95104160000		
35	00111300052	SCREW TE UNI 5739	
36	00111300064	SCREW M8X25	
37	00111250014	SELF BL. NUT M8	
38	00111000184	SCREW TE M5X10	
39	00111000192	ACCELERATOR LEVER	
40	00111990037	LONG LEVER ACCELERATOR	
41	95104000005	COMPLETE CABLE	
42	95179000001	KOHLER ACCELERATOR CABLE	
43	PZ95070110000	ACCELERATOR SUPPORT	
44	95104170000	FLEXIBLE COLLECTOR	
45	00111990086	KUBOTA MAINFOLD EXHAUST GASKET	
46	00111990077	KUBOTA EXHAUST KIT	
47	95104000010	EXHAUST END	
48	00111810025	EXHAUST CLAMP D=42	
49	95124000008	MUFFLER SUPPORT BRACKET	
50	00111250018	NUT "CONEKLOK" M8	
51	95124160000	MUFFLER FIXING PLATE	
52	00111000037	WASHER 6.6X18X2	
53	00111000094	SCREW TE M8X40	
53	00111400039	ALLEN SCREW M8X40	
54	00111810028	COLLECTOR EXHAUST CLAMP D33	
55	95210000004		
56	95210000002		
57	00777800165	TG TECH EARTH CABLE	
58	99104000006	BELT GATES SPA 800	
59	00111500014		
60	00111970047	HOLDFAST -82058-	

#

P/N

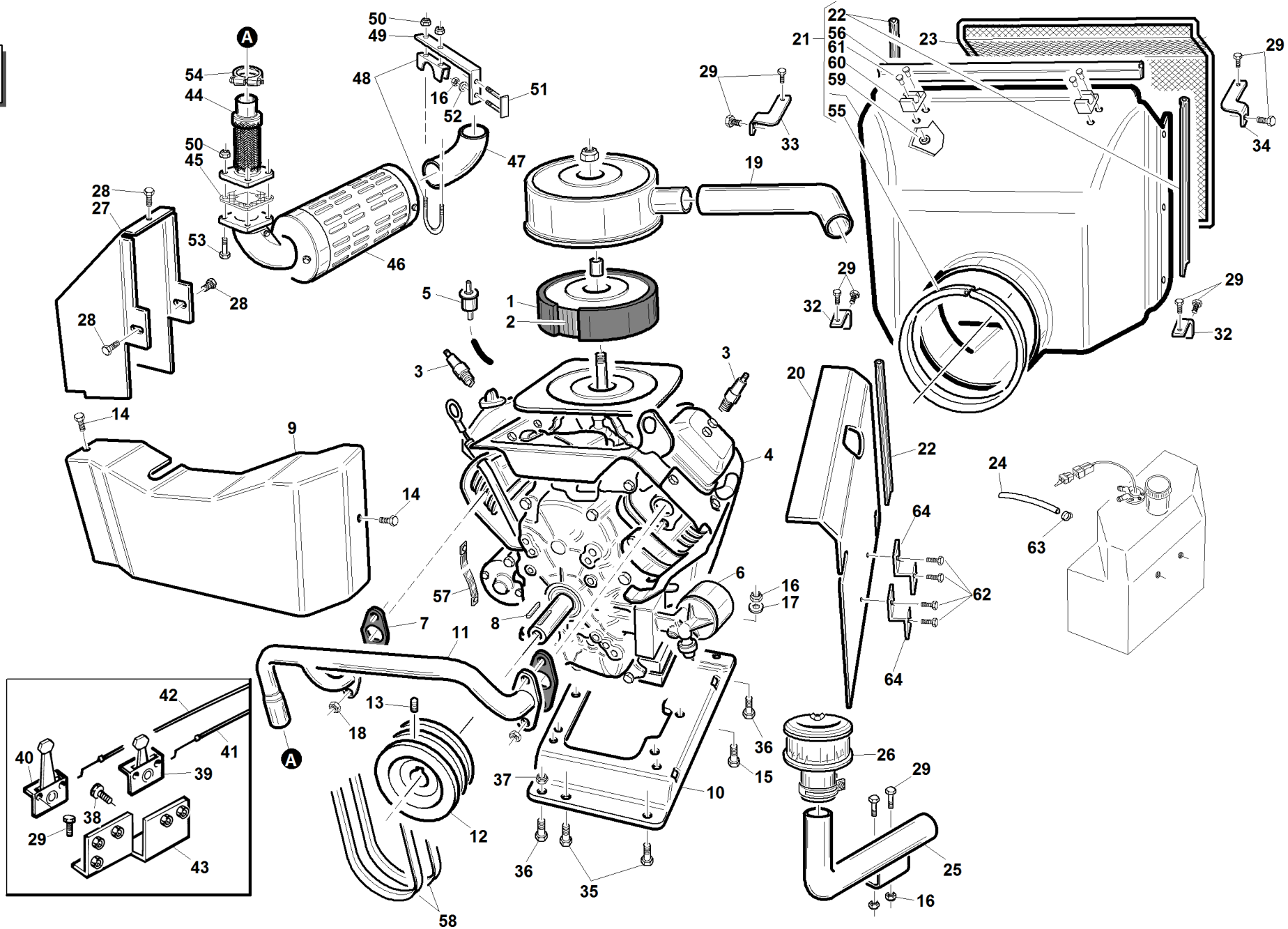
DESCRIPTION

PG/SR

REF. 27 - 0055991761

61
63
6400111800013
00111810010
95210000008RIVET D.4,8X14
CLAMP 10-16 TYPE NORMA
SUPPORT

PG/SR



#	P/N	DESCRIPTION	PG/SR
1	00777650035	KOHLER 20 HP AIR PRE FILTER	
2	00777650036	KOHLER AIR FILTER	
3	00777750004	KOHLER SPARK PLUG 15 HP	
4	95103121000	KOHLER ENGINE	
5	00777650048	FUEL FILTER	
6	00777650032	KOHLER OIL FILTER	
7	00111990061	KOHLER EXHAUST GASKET	
8	00111990008	PIN KEY 1/4X1/4X38	
9	95103160000	KOHLER AIR CONVEYOR	
10	95104000003	PG GASOLINE ENGINE SUPPORT	
11	95179101000	EXHAUST COLLECTOR KOHLER	
12	95042110001	ENGINE PULLEY	
13	00111960002	GRUB M8X16	
14	00111450010	SCREW/W M6X10	
15	00111000129	SCREW UNI 5737	
16	00111000071	SELF BLO. NUT M8	
17	00111000061	WASHER 8.4X24X2	
18	00111000082	NUT M8	
19	95103000007	KOHLER AIR FILTER	
20	95179120000	KOHLER TENK BUMPER	
21	95179150000	KOHLER CONVEYOR	
22	95210000003		
23	95104110000	AIR ASPIRATION GRID	
24	95210000009	PETROL INTAKE HOSE	
25	95179110000	AIR CONNECTION HOSE	
26	00777650029	CYCLONE PRECLEANER	
27	95210110000	EXHAUST AIR PIPE	
28	00111450005	SCREW/W M6X16	
29	00111450003	SCREW WASHER M8X20	
32	95104140000		
33	95104150000		
34	95104160000		
35	00111300052	SCREW TE UNI 5739	
36	00111300064	SCREW M8X25	
37	00111250014	SELF BL. NUT M8	
38	00111000184	SCREW TE M5X10	
39	00111000192	ACCELERATOR LEVER	
40	00111990037	LONG LEVER ACCELERATOR	
41	95104000005	COMPLETE CABLE	
42	95179000001	KOHLER ACCELERATOR CABLE	
43	PZ95070110000	ACCELERATOR SUPPORT	
44	95104170000	FLEXIBLE COLLECTOR	
45	00111990086	KUBOTA MAINFOLD EXHAUST GASKET	
46	00111990077	KUBOTA EXHAUST KIT	
47	95104000010	EXHAUST END	
48	00111810025	EXHAUST CLAMP D=42	
49	95124000008	MUFFLER SUPPORT BRACKET	
50	00111250018	NUT "CONEKLOK" M8	
51	95124160000	MUFFLER FIXING PLATE	
52	00111000037	WASHER 6.6X18X2	
53	00111000094	SCREW TE M8X40	
53	00111400039	ALLEN SCREW M8X40	
54	00111810028	COLLECTOR EXHAUST CLAMP D33	
55	95210000004		
56	95210000002		
57	00777800165	TG TECH EARTH CABLE	
58	99104000006	BELT GATES SPA 800	
59	00111500014		
60	00111970047	HOLDFAST -82058-	

#

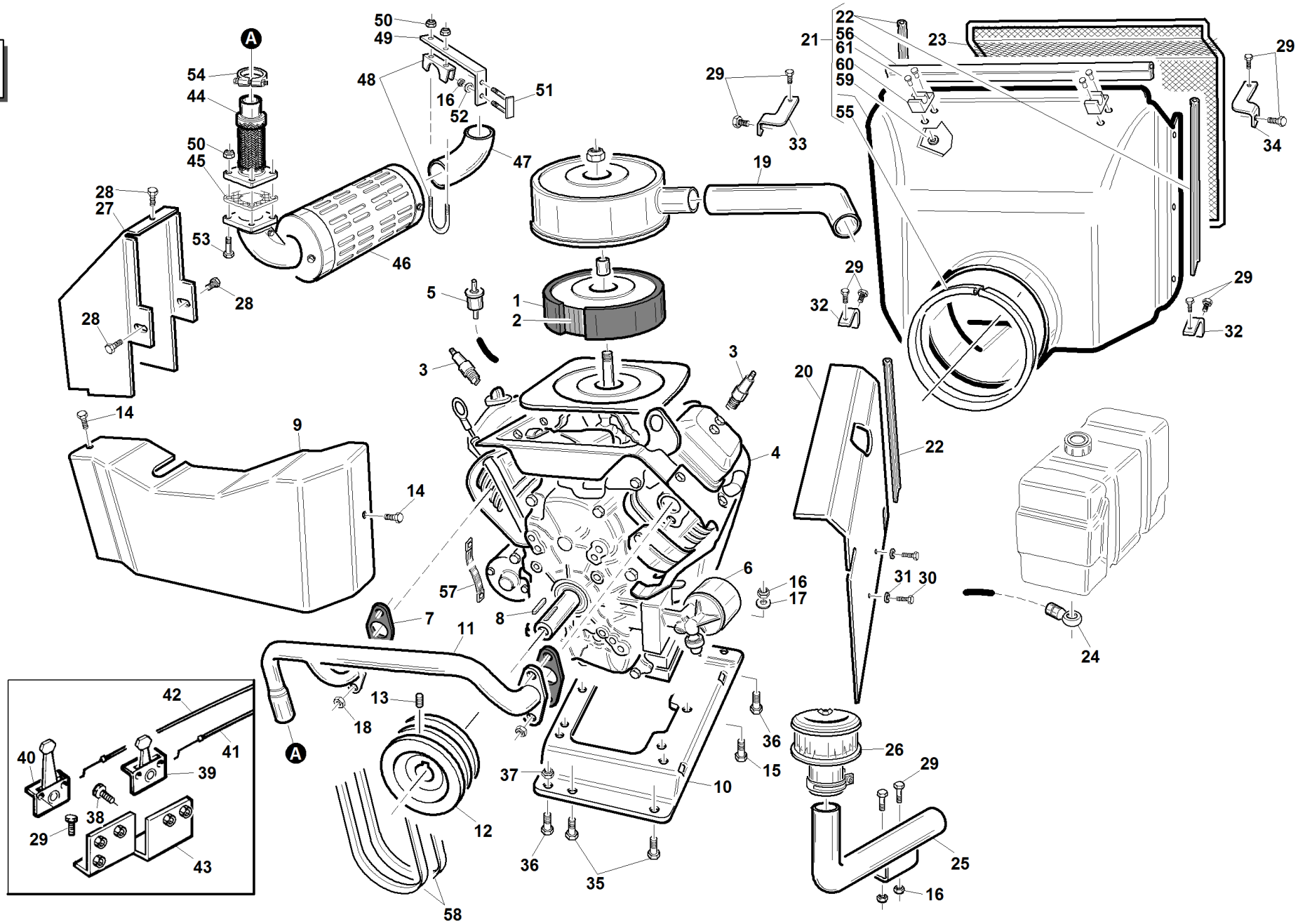
P/N

DESCRIPTION

PG/SR

61	00111800013	RIVET D.4,8X14	
63	00111810010	CLAMP 10-16 TYPE NORMA	
64	95210000008	SUPPORT	

PG/SR



#

P/N

DESCRIPTION

PG/SR

REF. 27 - 00555991741

#	P/N	DESCRIPTION	PG/SR	REF. 27 - 00555991741
1	00777650035	KOHLER 20 HP AIR PRE FILTER		
2	00777650036	KOHLER AIR FILTER		
3	00777750004	KOHLER SPARK PLUG 15 HP		
4	95103121000	KOHLER ENGINE		
5	00777650048	FUEL FILTER		
6	00777650032	KOHLER OIL FILTER		
7	00111990061	KOHLER EXHAUST GASKET		
8	00111990008	PIN KEY 1/4X1/4X38		
9	95103160000	KOHLER AIR CONVEYOR		
10	95104000003	PG GASOLINE ENGINE SUPPORT		
11	95179101000	EXHAUST COLLECTOR KOHLER		
12	95042110001	ENGINE PULLEY		
13	00111960002	GRUB M8X16		
14	00111450010	SCREW/W M6X10		
15	00111000129	SCREW UNI 5737		
16	00111000071	SELF BLO. NUT M8		
17	00111000061	WASHER 8.4X24X2		
18	00111000082	NUT M8		
19	95103000007	KOHLER AIR FILTER		
20	95103170000	KOHLER TANK BUMPER		
21	95179150000	KOHLER CONVEYOR		
22	95210000003			
23	95104110000	AIR ASPIRATION GRID		
24	95210000007	PETROL INTAKE HOSE		
25	95179110000	AIR CONNECTION HOSE		
26	00777650029	CYCLONE PRECLEANER		
27	95210110000	EXHAUST AIR PIPE		
28	00111450005	SCREW/W M6X16		
29	00111450003	SCREW WASHER M8X20		
30	00111300015	SCREW TE M8X55		
31	00111000087	WASHER P.8,4X15.6X1,5		
32	95104140000			
33	95104150000			
34	95104160000			
35	00111300052	SCREW TE UNI 5739		
36	00111300064	SCREW M8X25		
37	00111250014	SELF BL. NUT M8		
38	00111000184	SCREW TE M5X10		
39	00111000192	ACCELERATOR LEVER		
40	00111990037	LONG LEVER ACCELERATOR		
41	95104000005	COMPLETE CABLE		
42	95179000001	KOHLER ACCELERATOR CABLE		
43	PZ95070110000	ACCELERATOR SUPPORT		
44	95104170000	FLEXIBLE COLLECTOR		
45	00111990086	KUBOTA MAINFOLD EXHAUST GASKET		
46	00111990077	KUBOTA EXHAUST KIT		
47	95104000010	EXHAUST END		
48	00111810025	EXHAUST CLAMP D=42		
49	95124000008	MUFFLER SUPPORT BRACKET		
50	00111250018	NUT "CONEKLOK" M8		
51	95124160000	MUFFLER FIXING PLATE		
52	00111000037	WASHER 6.6X18X2		
53	00111000094	SCREW TE M8X40		
53	00111400039	ALLEN SCREW M8X40		
54	00111810028	COLLECTOR EXHAUST CLAMP D33		
55	95210000004			
56	95210000002			
57	00777800165	TG TECH EARTH CABLE		
58	99104000006	BELT GATES SPA 800		

#**P/N****DESCRIPTION****PG/SR****REF. 27 - 0055991741**

59

00111500014

60

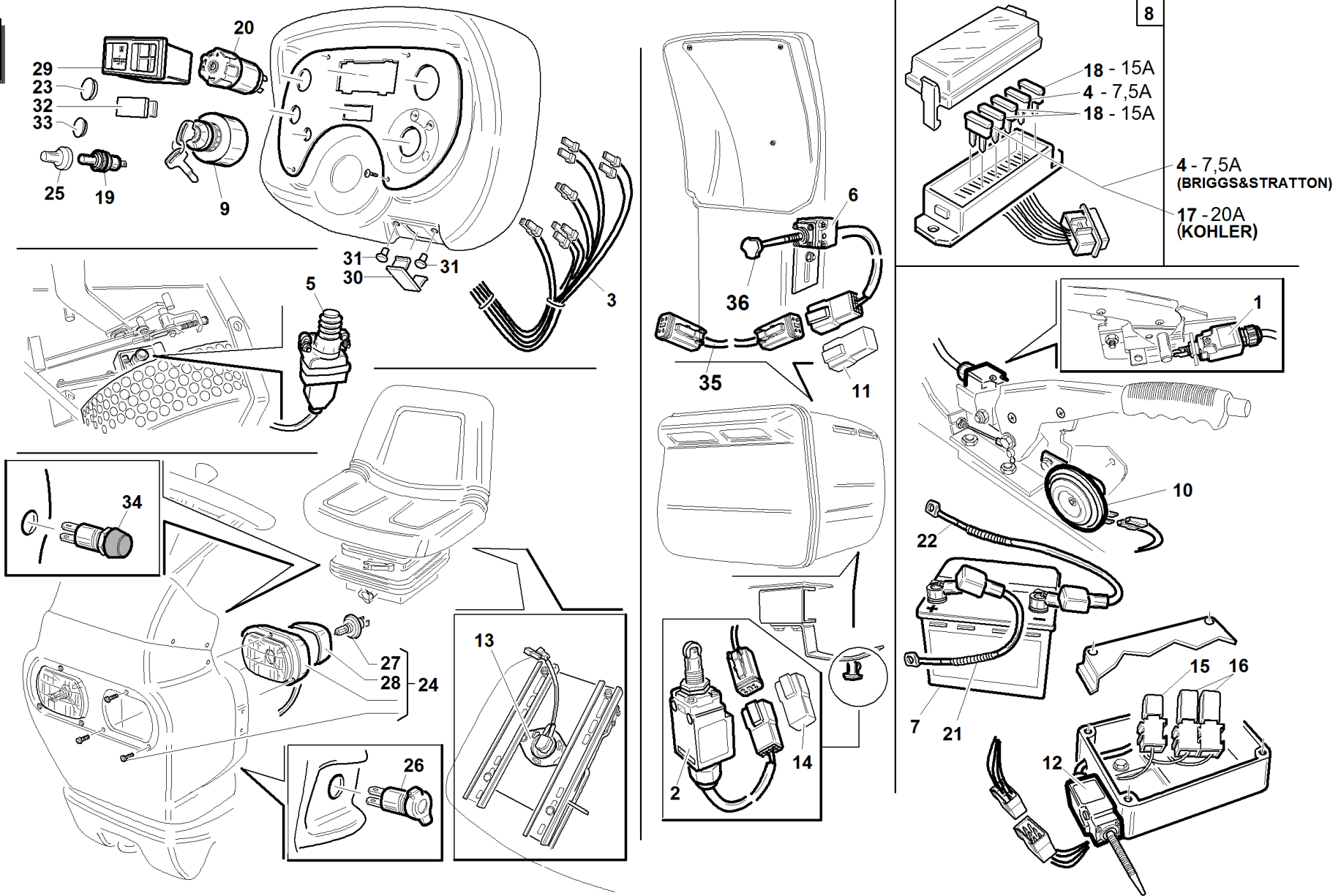
00111970047

61

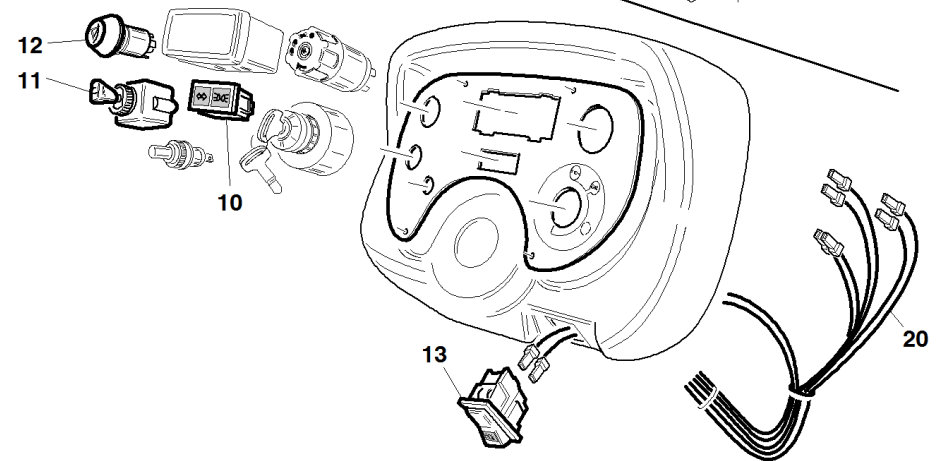
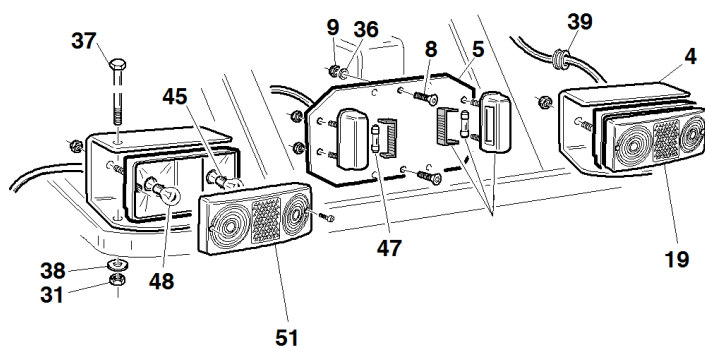
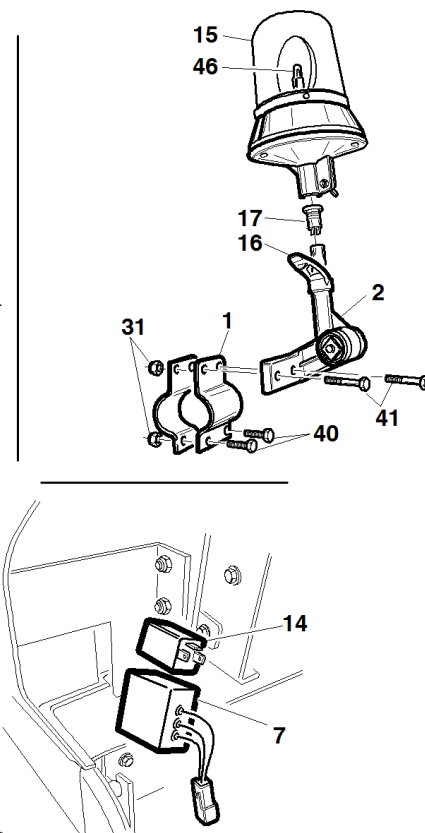
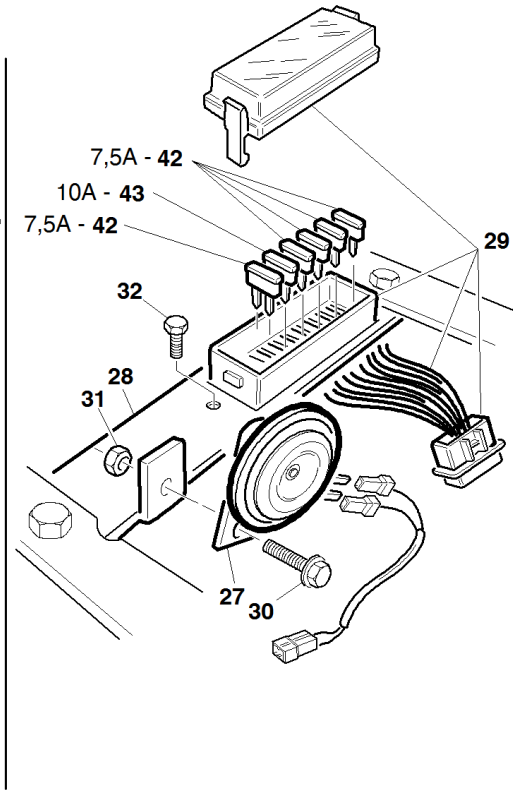
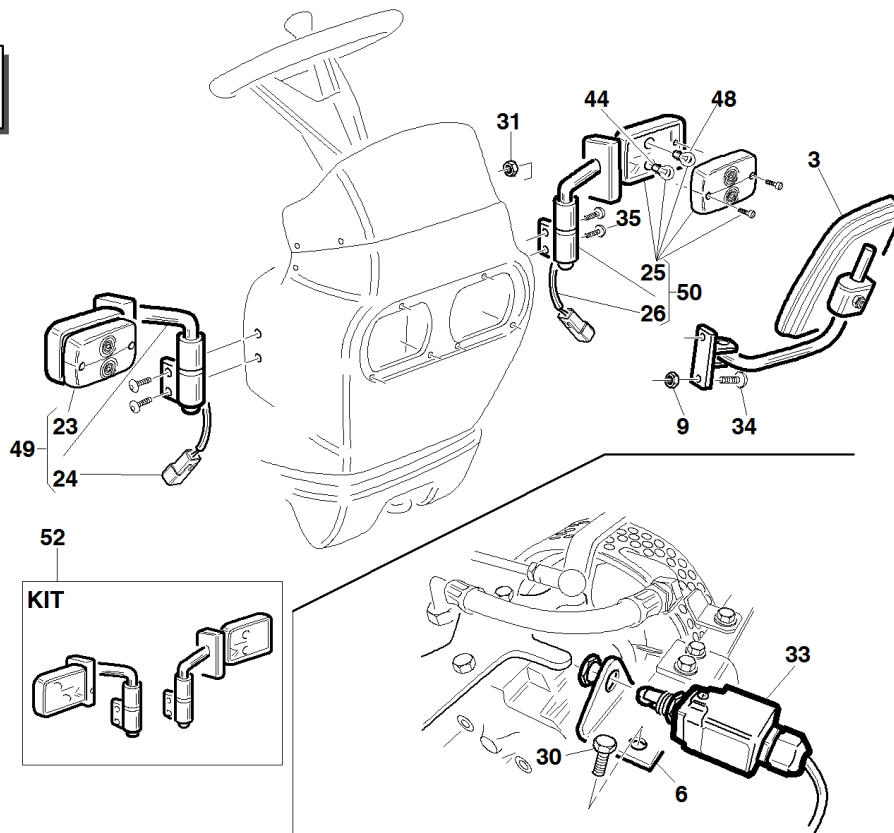
00111800013

HOLDFAST -82058-
RIVET D.4,8X14

PG/SR

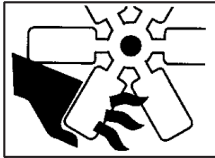


#	P/N	DESCRIPTION	PG/SR
1	95042510000	PARK BRAKE WIRED SWITCH	
2	95210160000	OPEN HOPPER DIESEL MICRO	
3	95210131000	PG GASOLINE CENTRAL HERNESS	
4	00777800078	BLADE FUSE 7,5 AMP	
5	00777800023	PUSH BUTTON 15117000	
6	95042520000	HOPPER WIRED MICRO	
7	95599000036	BATTERY 12V 43A	
8	95210140000	FUSE WIRE HARNESS/STARTSWITCH	
9	00777800222	START SWITCH	
10	00777800022	HORN 12V	
11	00777800167	FULL HOPPER WIRED MICRO CAP	
12	95210150000	OPEN ENGINE SPACE WIRED SWITCH	
13	00777800174	PG SEAT SWITCH	
14	00777800168	CLOSED HOPPER WIRED MICRO CAP	
15	00777800035	RELAY 12V 20/30 A	
16	00777800059	MICRO RELAYS 12V	
17	00777800126	BLADE FUSE 20A	
18	00777800080	BLADE FUSE 15A	
19	00777800108	SWITCH	
20	00777800143	LIGHT SWITCH AND HORN BUTTON	
21	00777800169	PG GASOLINE BATTERY POSIT.CABLE	
22	00777800170	PG GASOLINE EARTH CABLE	
23	00111970157	BLACK PLUG	
24	00777802400	ASYMMETRIC PROJECTOR	
25	00777800109	SWITCH CAP	
26	00777800107	BIPOLAR TAP	
27	00777800152	BULB 12V 45/40W	
28	00777800156	RUBBER GUARD	
29	00777800157	HOUR COUNTER + PILOT LIGHTS PANEL	
30	00111970159	PLUG	
31	00111970095	KNOB -81205-	
32	00111970162	PILOT LIGHT COVER	
33	00111970158	BLACK PLUG	
34	00777800106	FASTON PUSH BUTTON	
35	00777800124	COMPLETE CABLE FOR COLLECTOR	
36	00111970042	FEMALE KNOB THB20M4	

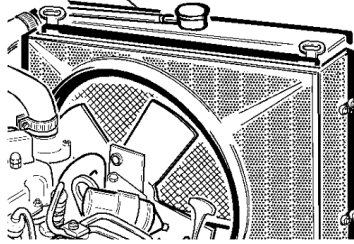


#	P/N	DESCRIPTION	PG/SR
1	95162000002	LAMP FIXING PLATE	
2	00111971100	LAMP SUPPORT	
3	00111970154	LEFT REARVIEW MIRROR	
4	95162000003	REAR LIGHT SUPPORT	
5	95162000004	PLATE SUPPORT	
6	95162000010	STOP MICRO SUPPORT	
7	95162300000	ELECTRIC TIMER PANEL	
8	00111350023	SCREW TSPEI M6X20	
9	00111000166	SELF LOCKING NUT M6 UNI 7473	
10	00777800141	DIRECTION INDICATOR TELLTALE	
11	00777800142	TURN INDICATOR SWITCH	
12	00777800144	EMERGENCY LIGHT SWITCH	
13	00777800145	LAMP SWITCH	
14	00777800171	INTERMITTENCE 12V-47/180W	
15	00777801400	ROTATING LAMP	
16	00777801402	LAMP PLASTIC CAP	
17	00777801401	LAMP CONNECTOR	
18	00777802000	PLATE LIGHT	
19	00777802100	MULTIPURPOSE REAR LIGHT	
20	95162100000	LIGHT CABLE SYSTEM	
23	00777802300	RIGHT HEADLIGHT	
24	95162201001	RIGHT HEAD LIGHT CABLE	
25	00777802200	LEFT HEADLIGHT	
26	95162201101	LEFT HEADLIGHT CABLE	
27	00777800022	HORN 12V	
28	95162201201	FUSE BOX SUPPORT	
29	95162201202	FUSE BOX	
30	00111450003	SCREW WASHER M8X20	
31	00111000071	SELF LOCKING NUT M8 UNI 7473	
32	00111400028	ALLEN SCREW M5X14	
33	95162201300	STOP LIGHT WIRED MICRO	
34	00111450016	SCREW M6x25	
35	00111450015	SCREW M8x30	
36	00111500009	WASHER 6.4X12.5X1.6	
37	00111300027	HEX SOCKET HEAD CAP SCREW M8X60 UNI 5737	
38	00111000087	WASHER P.8,4X15.6X1,5	
39	00111970128	FAIRLEAD UPRIGHT	
40	00111300008	SCREW TE M8X25	
41	00111000145	SCREW TE M8 X 35	
42	00777800078	BLADE FUSE 7,5 AMP	
43	00777800079	BLADE FUSE 10A	
44	00777800177	BULB 12V R5W	
45	00777800179	BULB 12V P21/5W	
46	00777800180	BULB H1 12V 55W	
47	00777800181	BULB 12V C5W	
48	00777800178	BULB 12V P21W	
49	95162201000	RIGHT HEADLIGHT	
50	95162201100	LEFT HEADLIGHT	
51	00777802101	LIGHT GLASS	
52	95597120000		

PG/SR



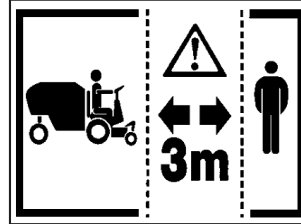
6



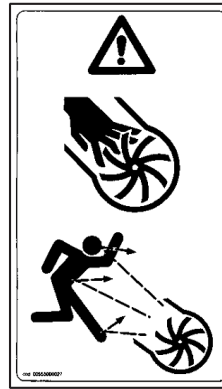
14



13



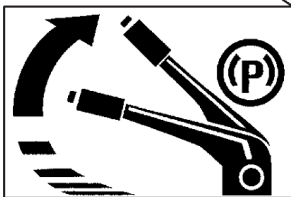
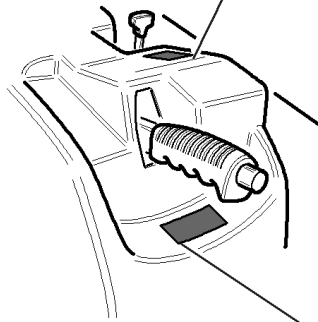
3



15



7



9



4



11



10

DIESEL
BENZINA
PETROL

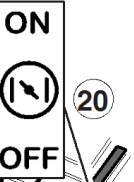
16



1



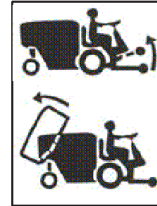
2



20



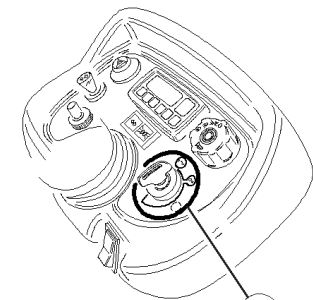
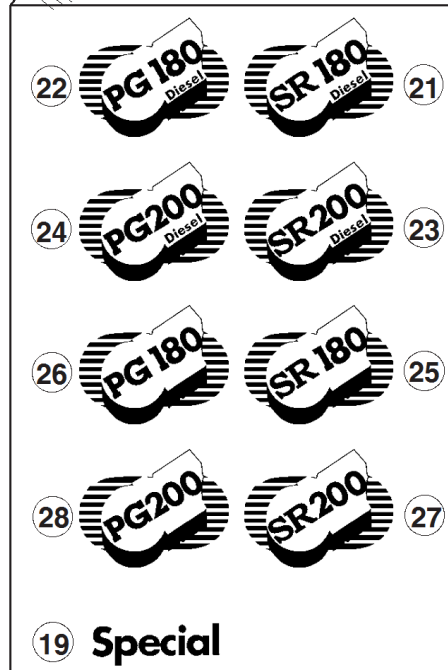
8



18



17



12

#	P/N	DESCRIPTION	PG/SR
1	00555200006	TRANSFER PRINTING	
2	00555200008	TRANSFER PRINTING BLOC	
3	00555200018	TRANF. KEEP AWAY	
4	00555200143	DANGER TRANSFER PRINTING	
5	00555200114	TRANSFER PRINTING "DIESEL"	
6	00555200115	ENGINE FAN WARNING STICKER	
7	00555200124	TRANSFER PRINTING	
8	00555200127	TRANSFER PRINTING	
9	00555200128	TRANSFER PRINTING BRAKE	
10	00555200129	TRANSFER PRINT.HEARING PROTEC.	
11	00555200130	TRANSFER PRINTING EYE PROTECTION	
12	00555200144	TRANSFER PRINTING	
13	00555200119	TRANSFER PRINTING	
14	00555200164	RED GIANNI FERRARI TRANSFER PRINTING	
15	00555000027	TRANSFER PRINTING TURBINE	
16	00555200163	"PETROL" FUEL TRANSFER PRINTING	
17	00555200132	PG HIGH DUMP LEVER TRANSFER PRINTING	
18	00555200133	PG DISTRIBUTOR TRANSFER PRINTING	
19	00555200113	"SPECIAL" TRANSFER PRINTING	
20	00555200126	TRANSFER PRINTING	
21	00555200151	TRANSFER PRINTING	
22	00555200108	TRANSFER PRINTING "PG 180 DIESEL"	
23	00555200150	TRANSFER PRINTING	
24	00555200110	PG200D TRANSFER PRINTING	
25	00555200149	TRANSFER PRINTING	
26	00555200107	PG 180 TRANSFER PRINTING	
27	00555200148	TRANSFER PRINTING	
28	00555200109	PG200 TRANSFER PRINTING	

www.gianniferrari.com

Advanced Groundcare Solutions™

**COMPANY WITH QUALITY
MANAGEMENT SYSTEM CERTIFIED BY DNV
= UNI EN ISO 9001:2008 =**



**Gianni
Ferrari**

GIANNI FERRARI S.r.l.

Via Vespucci ,53 (z.ind. Ranaro)
42046 Reggiolo (Reggio Emilia) Italy
Tel. +39.0522.973697 - Fax +39.0522.973707
e-mail: info@gianniferrari.com



OFFICINE BIEFFEBI S.p.A.

Via dell'Artigianato ,7
46023 Gonzaga (Mantova) Italy
Tel. +39.0376.52641 - Fax +39.0376.588270
e-mail: bieffebi@gianniferrari.com